



Toshiba 1.6 Cu.Ft. Countertop Microwave

Black Stainless Steel
TMC16S4ABS

TOSHIBA

Toshiba 1.6 Cu.Ft. Countertop Microwave



Inverter Technology (Invertech) with 1,250 W Powerful Microwave Output

Invertech enables auto-adjustment of microwave power to match different heating durations and leads to lower energy consumption in less time. It also allows more uniform distribution of heat in food, preventing overcooking on the edges and undercooking in the center. What's more, Invertech helps to preserve food texture, creating the best cooking environment for optimal taste.

Smart sensor with 5 auto menus

This microwave oven features sensor function that takes the guesswork out from cooking. Built-in sensor constantly detects the humidity level of the food during cooking, then automatically adjusts time and temperature for optimal results.

10 Power Level Settings

10 power level settings give you more cooking flexibility: from keeping food warm, softening butter and defrosting, to heating liquids. You can even change the power level when cooking is in progress, which is ideal to prevent overcook..

Energy-saving Eco Mode

Minimizing 50%* standby power by turning on ECO mode. Save energy consumption and operating cost as well as protect our planet.



TOSHIBA

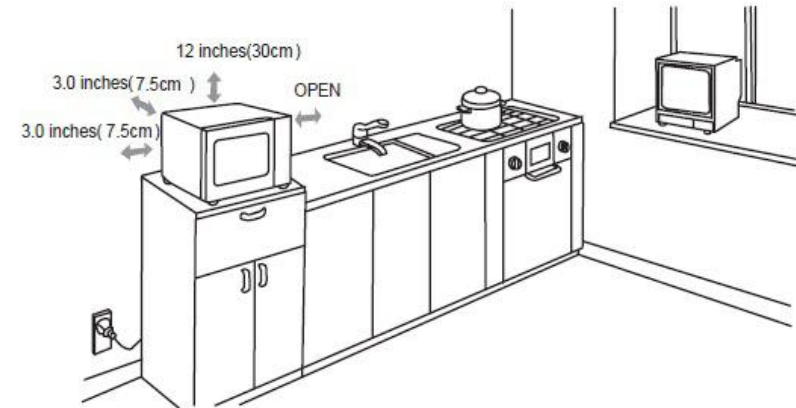
Toshiba 1.6 Cu.Ft. Countertop Microwave in Black Stainless Steel

SPECIFICATIONS

Model:	TMC16S4ABS
Rated Voltage:	120V ~60Hz
Rated Input Power (Microwave):	1,350 W
Rated Out Power (Microwave):	1,250 W
Oven Capacity:	1.6 Cu.Ft.
Turntable Diameter:	13.6 inch
External Dimensions:	21.8" x 19.2" x 13.0"
Net Weight:	Approx. 28.7 Lbs

INSTALLATION

1. Select a level surface that provide enough open space for the intake and/or outlet vents.



A minimum clearance of 3.0 inches (7.5cm) is required between the oven and any adjacent walls. One side must be open.

- (1) Leave a minimum clearance of 12 inches (30cm) above the oven.
- (2) Do not remove the legs from the bottom of the oven.
- (3) Blocking the intake and/or outlet openings can damage the oven.
- (4) Place the oven as far away from radios and TV as possible.

Operation of microwave oven may cause interference to your radio or TV reception.

TOSHIBA