



Toshiba 18L 6-Slice Convection Toaster Oven Black

WTR-M18ASS

TOSHIBA

Toshiba 18L 6-Slice Convection Toaster Oven Black



Convenient Cooking Functions

This toaster oven features 4 functions that care of all your cooking tasks: Toast, Broil, bake and Convection.

Convection Cooking

Convection fan circulates the hot air within the oven and ensures heat can be delivered to every corner inside the cavity. This allows for faster cooking, more even baking and browning compare with a traditional oven.

Extra-large Capacity

Spacious interior capacity can handle everyday cooking needs. You can cook anything from roast chicken to 6 slices of bread or 12-inch pizza with ease.

Easy operation

3 control knobs with easy-turn design provide the desired cooking result every time.



TOSHIBA

Toshiba 18L 6-Slice Convection Toaster Oven Black

SPECIFICATIONS

Model:	WTR-M18ABK
Power Output:	1,500W
Oven Capacity:	18L/ 6-Slice
Rated Energy Consumption:	1.5 KW/H
External Dimensions:	17.6" x 15.0" x 10.0" 446mm x 380mm x 253mm
Net Weight:	11.5 lbs / 5.2 kg
Accessories:	Crumb tray, Rotisserie Kit + Lifter, Baking Rack, Baking Pan, Rack Clamp
Country of Origin:	China

CONTROL SETTINGS

TIME SETTING

0-60 MINUTES: The timer can be set up to 60 minutes. The oven will not turn on without the timer being set. When the time knob is in the "OFF" position, the oven will not operate. To set the time, turn the knob clockwise to the desired time. Indicator light is lit only when time has been set. When the timer has reached the OFF position, a bell sound will be heard. Power supply will be cut off automatically.

ADJUSTING TIME

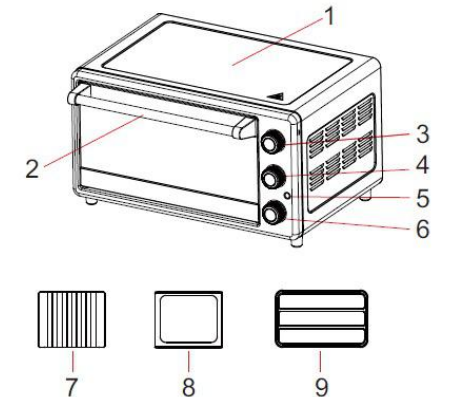
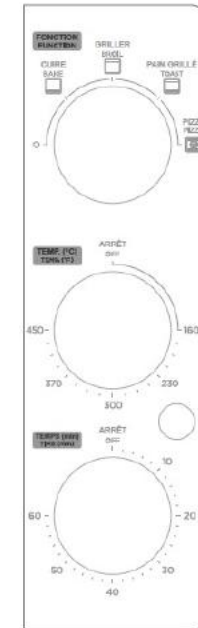
Time can be adjusted during cooking cycle. Simply turn the timer knob to the desired time.

NOTE

To select the cooking time, first rotate the timer knob more than 90 degrees, and then turn the switch back to the time you require.

TEMPERATURE SETTING

Turn the temperature knob clockwise to the desired temperature setting. The temperature can be set from 160 °F to 450 °F.



1. Housing
2. Door handle
3. Function knob
4. Upper temperature knob
5. Indicator light
6. Cooking timer
7. Baking Rack
8. Crumb tray
9. Baking Pan