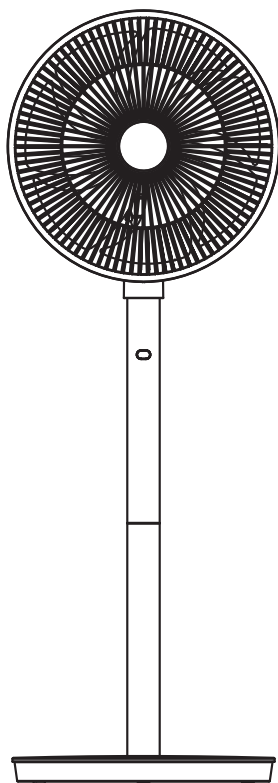


TOSHIBA

OWNER'S MANUAL

Electric Fan
MODEL: F-LYA20(W)HKG



READ AND SAVE THESE INSTRUCTIONS

Attention: Pictures in the IM are for reference only.

CAUTION

Read Rules for Safe Operation and Instructions Carefully.

WARNING

1. If the supply cord is damaged, it must be replaced by manufacturer, its service agent or a similarly qualified person in order to avoid a hazard.
2. This appliance can be used by children aged from 8 years and above and persons with reduced physical, sensory or mental capabilities or lack of experience and knowledge if they have been given supervision or instruction concerning use of the appliance in a safe way and understand the hazards involved. Children shall not play with the appliance. Cleaning and user maintenance shall not be made by children without supervision.



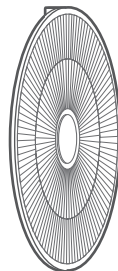
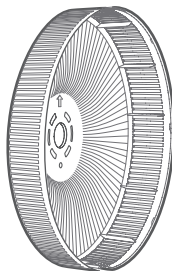
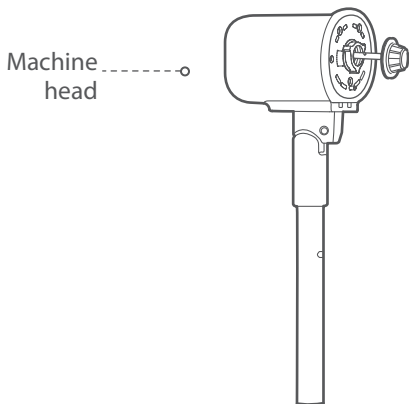
3. **Correct Disposal of this product**

This marking indicates that this product should not be disposed with other household wastes throughout the EU. To prevent possible harm to the environment or human health from uncontrolled waste disposal, recycle it responsibly to promote the sustainable reuse of material resources. To return your used device, please use the return and collection systems or contact the retailer where the product was purchased. They can take this product for environmental safe recycling. The packaging material is recyclable. Dispose of the packaging in an environmentally friendly manner and make it available for the recyclable material collection-service.

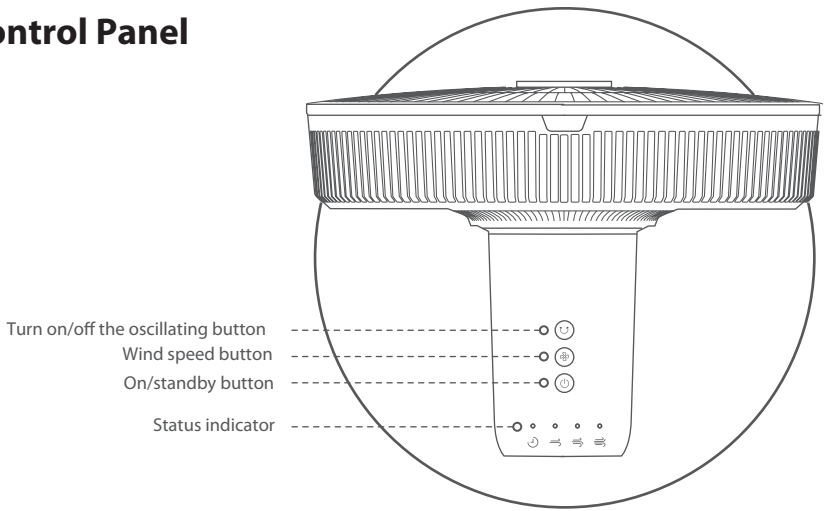
4. Indoor and household use only.
5. When the appliance is not in use and before cleaning, unplug the appliance from the outlet.
6. To protect against the risk of electrical shock, do not disassemble the fan and do not immerse the unit, cord or plug in water or other liquid.

Product Introduction

■ Name of Each Component



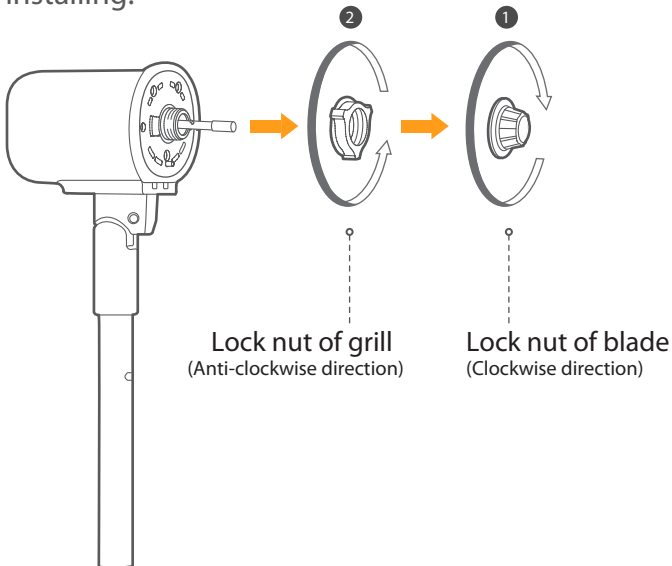
Control Panel



Installation Instructions

Installation preparation

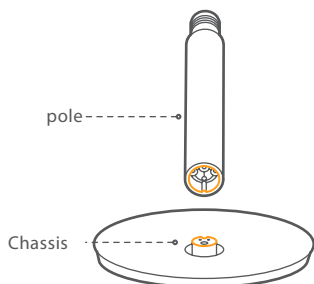
Please take out the lock nut of blade from the front enclosure of the motor clockwise, and then take out the lock nut of grill counterclockwise before installing.



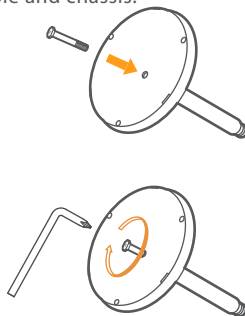
Installation Procedures

Chassis Installation

Position the pole and chassis sockets in the direction shown, insert the pole into the chassis socket and stabilize it;



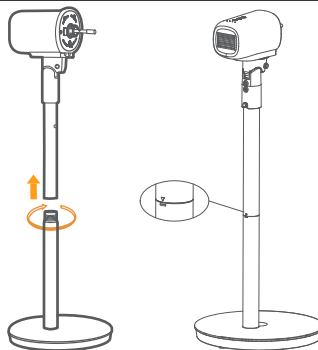
Insert the bolt into the hole at the bottom of the chassis and tighten the bolt to fix the pole and chassis.



Pole Installation

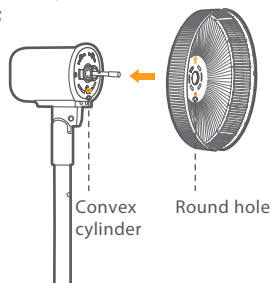
First, you need to align the hole of the machine body with the pole, then rotate it in and fix it to complete the installation of the pole, be sure to rotate in place.

The arrow mark of the upper column tube is to be within the identification range of the lower column tube.

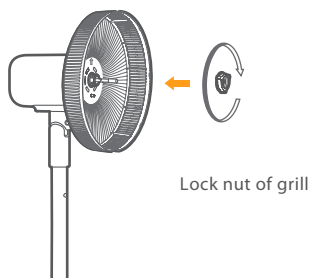


Rear Grill Installation

According to the direction shown, make the rear grill of the fan upward in the direction of the arrow, and make the round hole aligned with the salient point on the front enclosure of the motor;

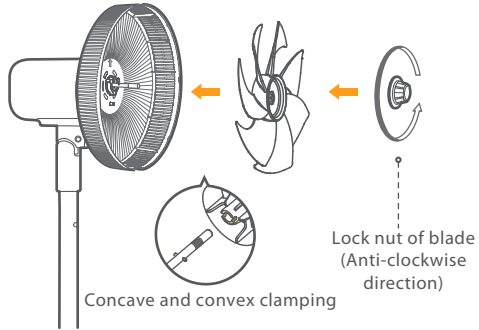


After the motor head is hung on the rear grill, rotate the plastic nut clockwise to lock the rear grill.



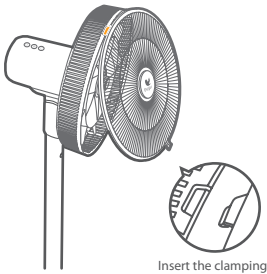
Blade Installation

Align the blade with the motor shaft and put it on, and the side with warning label of the blade faces outward; Rotate the spinner counterclockwise to lock the blade.

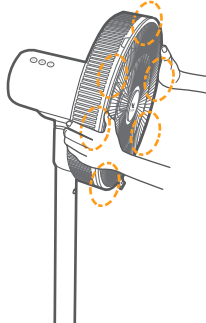


Front Grill Installation

First, find the front and rear grill clamping, and stabilize the front grill to the rear grill buckles;

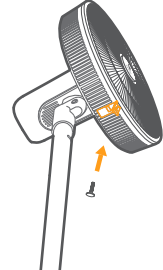


Press the mesh enclosure by both hands in sequence, and when you hear a "click", the installation is in place.



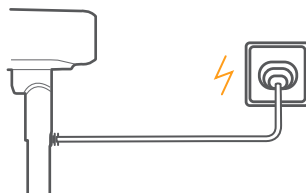
Then fasten the net buckle at the bottom of the front grill, insert the mesh enclosure screw into the hole of the net buckle, and tighten it with a screwdriver.

Note: 1. The mesh enclosure screw is fixed at the rear grill clamping, and the user needs to unscrew the screw and then install it.
2. Be sure to install the net cover when running.



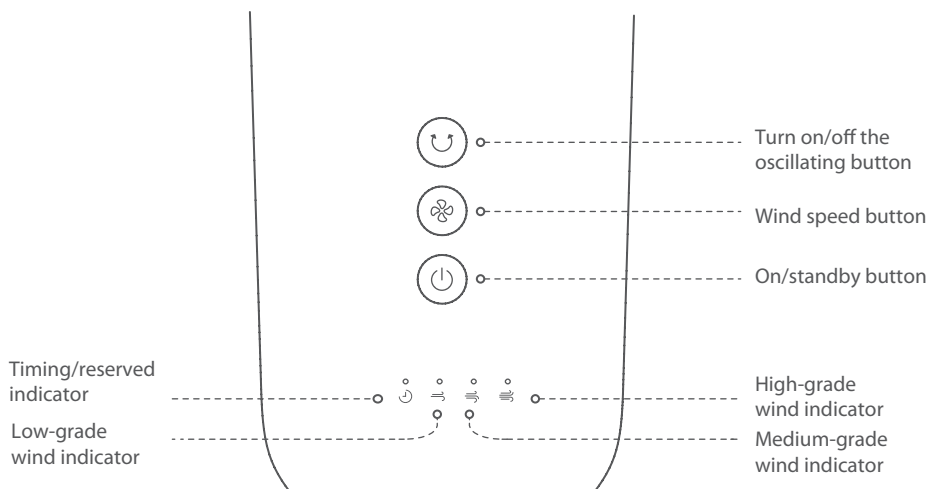
Power Up

After installation, plug on the machine. After hearing the "drop", the fan is powered on successfully.



Instructions for Use

Panel of machine head



Instructions of buttons on the machine head

Icon	Function description
	Startup/Standby
	Switch to the normal wind grade by pressing the low→medium→high→low to cycle
	Turn on/off shaking the head to supply wind

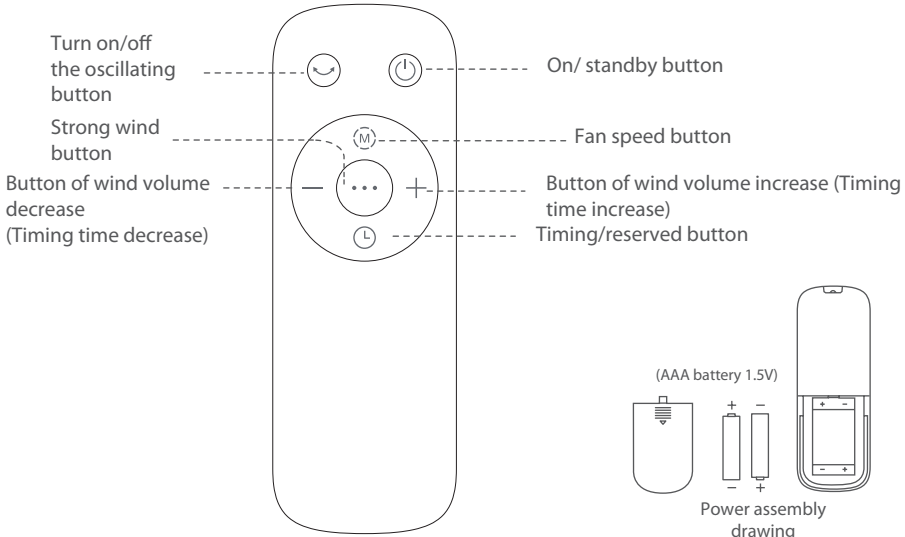
Descriptions for the indicators

Icon	Function description
	Indicate timing/reserved status
	Normal wind of low grade, grade 1
	Normal wind of medium grade, grade 2
	Normal wind of high grade, grade 3, Strong wind model

Note: ① If timing turning off/on reserved is set for 1 hour, the timing/reserved indicator will be on; If it is set for 2 hours, timing/reserved indicator and low-grade wind indicator will be on; If it is set for 3 hours, timing/reserved indicator, low and medium-grade wind indicator will be on; If it is set for 4 hours, 4 indicators will be all on;

②The machine has a screen-off function in order to reduce the interference of light, which means if there is no operation within 60 seconds, all the indicators will go out. At this time, the fan runs or stops without display, which is normal and is not a malfunction.

■ Panel of Remote controller



Control range of remote controller
The remote controller control can be normally used within 5 meters in front of the product and in the left and right angles of 30 degrees.

Please use a manganese or alkaline battery of type "AAA" and do not use a non-recyclable battery.

Specifications for remote controller buttons

Icon	Function description
	Turn on/Standby
	Turn on/off oscillating to supply wind
	Switch to the normal wind grade by pressing the low→medium→high→low to cycle
	Switch to the normal wind grade, wind speed and grade are increasing; Switch the time, the timing/reserved time is increasing.
	Switch to the normal wind grade, wind speed and grade are decreasing; Switch the time, the timing/reserved time is decreasing.
	Turn on/off timing powering off, it will power off 1 hour later; Turn on/off reserved powering on, it will power on 1 hour later. Press the timing button first, then press the “+、-” button within 5 seconds, you can adjust the increase or decrease of the timing time, for 4 hours timing range in total(1,2,3,4).
	Turn on/off strong wind

MAINTENANCE INSTRUCTION

The fan requires little maintenance. Do not try to fix it by yourself. Refer it to qualified service personnel if service is needed.

1. Before cleaning and assembling, fan must be unplugged.
2. To ensure adequate air circulation to the motor, keep vents at the rear of the motor free of dust. Do not disassemble the fan to remove dust.
3. Please wipe the exterior parts with a soft cloth soaking a mild detergent.
4. Do not use any abrasive detergent or solvents to avoid scratching the surface.
Do not use any of the following as a cleaner: gasoline, thinner.
5. Do not allow water or any other liquid into the motor housing or interior parts.

CLEANING

1. Be sure to unplug from the electrical supply source before cleaning.
2. Plastic parts should be cleaned with a soft cloth moisten with mild soap.
Thoroughly remove soap film with dry cloth.