

TOSHIBA

微波爐 使用說明書

型號：

MW2-MM24PC(BK)

在使用微波爐之前，請仔細閱讀這些說明，並小心保存。

如果您按照說明書進行操作，微波爐將為您提供長期的良好服務。

請小心保存這說明書

Microwave Oven INSTRUCTION MANUAL

Model:

MW2-MM24PC(BK)

Read these instructions carefully before using your microwave oven, and keep it carefully.

If you follow the instructions, your oven will provide you with many years of good service.

SAVE THESE INSTRUCTIONS CAREFULLY

中文

English

目錄

目錄.....	1
注意事項.....	2
產品規格.....	2
重要安全說明.....	3~4
清潔.....	5
器皿.....	5~6
設置及安裝.....	7~8
操作.....	9
故障排除.....	10

注意事項

避免可能暴露於過多微波能量的注意事項

- (a) 請勿嘗試在打開門的情況下操作微波爐，否則可能暴露於過多微波能量而產生有害的影響。
重要的是不要打破或篡改安全鎖。
- (b) 不要在微波爐正面和門之間放置任何物體，或者讓清潔殘渣積聚在密封條上。
- (c) 警告：如果爐門或門密封條損壞，必須經過合格人員維修才能使用。

附錄

如果產品沒有保持良好的清潔狀態，其表面質量可能會下降，以及影響產品的使用壽命，並導致危險的情況。

產品規格

型號：	MW2-MM24PC(BK)
額定電壓：	220V~50Hz
電力消耗（微波）：	1250瓦
額定輸出功率（微波）：	800瓦
微波爐容量：	24公升
轉盤直徑：	Φ 270毫米
外形尺寸(深×闊×高)：	405x485x293毫米
淨重：	約 13 公斤

重要安全說明

警告

為了降低使用產品時發生火災，觸電，人身傷害或暴露過多微波爐能量的風險，請遵循以下基本預防措施，包括：

1. 閱讀並遵循以下具體內容：“避免可能暴露於過多微波能量的預防措施”
2. 兒童，身體、感覺或精神能力下降或缺乏經驗及知識的人士可使用本產品，如果他們得到監督，或者知悉以安全方式使用產品的說明，並了解所涉及的危害。兒童不得當本產品作為玩具。清潔和用戶維護不得由兒童進行，除非他們受到監督。
3. 將產品及其電源線放在兒童接觸不到的地方，除非得到連續的監督。
4. 如果電源線損壞，必須由製造商，其服務代理人或持有類似資格的人員進行更換以避免危險。
5. 警告：在更換燈泡之前，請確保產品已關閉，以避免出現觸電的可能性。
6. 警告：除合格人員以外，其他人員進行任何涉及拆除外蓋的維修或修理，都是危險的，因為外蓋能提供防止接觸微波能量的保護。
7. 警告：液體和其他食物不得在密封容器中加熱，因為它們易於爆炸。
8. 在塑料或紙容器中加熱食物時，由於有產生火花的可能性，請時刻留意微波爐。
9. 只能使用適合微波爐使用的器皿。
10. 如果釋出煙霧，請關閉或拔下產品的電源並關閉爐門，以阻止任何火焰。
11. 微波加熱後的飲料可能導致延遲噴發沸騰，因此在處理容器時必須小心。
12. 應攪拌或搖勻奶瓶和嬰兒食品罐內的食物，並在食用前檢查溫度，以避免灼傷。
13. 帶殼雞蛋和全個水煮蛋不應該在微波爐中加熱，因為它們可能會爆開，即使在微波加熱結束後也可能會爆開。
14. 應定期清潔微波爐，並清除任何食物殘渣。
15. 未能保持微波爐處於潔淨狀態可能會導致表面的惡化，會對產品的使用壽命產生不利影響，並可能導致危險情況。
16. 只能使用推薦用於微波爐的溫度探頭（適用於提供設施去使用溫度感應探頭的微波爐。）
17. 微波爐不應裝置在櫃中，除非已在櫃中進行了測試。
18. 本產品適用於家用和類似的應用如：
 - 商店，辦公室和其他工作環境中的員工廚房區域;
 - 酒店客戶，汽車旅館客戶和其他住宅類型環境中的客戶;
 - 農舍
 - 住宿加早餐類型環境(民宿旅館)。
19. 微波爐適用於加熱食品和飲料。乾燥食物或衣服和加熱保溫墊，拖鞋，海綿，濕布等可能會導致受傷，點燃或起火的危險。
20. 在微波爐烹調過程中，不允許使用食品和飲料金屬容器。
21. 該產品不應使用蒸氣清潔器清潔。

22. 該產品設計在於獨立式使用。
23. 該產品應放置於貼近牆壁位置。
24. 這產品不得透過外部定時器或獨立的遙控系統來操作。

仔細閱讀並保留作將來參考

減少使用者受傷的風險 接地安裝

危險

觸電危險

觸摸一些內部組件可能導致嚴重的個人傷害或死亡。不要拆卸這個產品。

警告

觸電危險

接地不當會導致觸電。在產品正確安裝並接地之前，請勿插入插座。

本產品必須接地。在發生電氣短路的情況下，短路電流會由地線流走至接地，這樣可以降低觸電危險。

本產品配有帶有接地線的插頭。插頭必須插入正確安裝和接地的插座。

如果未完全理解接地指示，或者對產品正確接地有疑問，請諮詢合資格的電工或維修人員。

如果需要使用延長線，請僅使用3芯延長線。

1. 提供短電源線，以減少由長電源線纏繞而導致的風險。
2. 如果使用長電源線或延長線：
 - 1) 標稱電氣等級的電源線或延長線應至少與產品的額定電流一樣大。
 - 2) 延長線必須是接地型3芯電源線。
 - 3) 長電源線應該被妥善處理，使它不會懸掛在櫃檯頂部或桌面上而被兒童拉扯或意外絆倒。

清潔

確保產品電源已被拔下。

1. 使用微波爐後，用微濕的布清潔爐腔。
2. 在肥皂水中以常規方式清潔配件。
3. 門框和密封條及相鄰零件髒污時，請用濕布仔細清潔。
4. 不要使用強效腐蝕性清潔劑或鋒利的金屬刮刀清潔微波爐門玻璃，因為它們可能會刮傷表面，或會導致玻璃粉碎。
5. 清潔提示---更容易清潔烹調的食物可接觸到的爐腔內壁：將半個檸檬放入碗中，加入300毫升水，並在100%微波火力下加熱10分鐘。用乾燥的軟布擦乾爐腔內壁。

器皿

警告

人身傷害危害

除合格人員以外，其他人員進行任何涉及拆除外蓋的維修或修理，都是危險的，因為外蓋能提供防止接觸微波能量的保護。

請參閱“可在微波爐中使用的物料或避免在微波爐使用的物料說明”。可能有某些非金屬器皿都是不安全用於微波爐。如果有疑問，可以按照以下步驟測試有關的器皿。

器皿測試：

1. 將1杯冷水（250毫升）注入微波爐適用容器之器皿，與測試器皿一起放入微波爐。
2. 以最大火力烹調1分鐘。
3. 仔細感受器皿。如果空的器皿是溫暖的，不要用於微波爐烹調。
4. 烹調時間不要超過1分鐘。

您可以在微波爐中使用的物料

器皿	備註
燒烤盤	遵循製造商的說明。燒烤盤的底部必須至少在轉盤上方3/16英寸（5mm）處。不正確使用可能導致轉盤損壞。
晚餐器皿	僅限微波安全使用類別。遵循製造商的說明。不要使用破碎或有缺口的器皿。
玻璃瓶	務必取下蓋子。只用於加熱食物，直至溫暖。大多數玻璃瓶不耐熱，可能會破裂。
玻璃器皿	只限耐熱微波爐玻璃器皿。確保沒有金屬飾邊。不要使用破碎或有缺口的器皿。
微波爐烹調袋	遵循製造商的說明。不要用金屬帶綁緊。留出狹縫以允許蒸氣排出。
紙碟和杯子	僅用於短時間烹調/加溫。烹調時不要無人看管微波爐。
紙巾	用於覆蓋食物以加熱和吸收脂肪。僅用於監督下的短時間烹調。
羊皮紙	用作蓋子以防止飛濺或罩著蒸氣。
塑料	僅限微波安全使用類別。遵循製造商的說明。應標有“微波安全”。因為食物內部變熱，一些塑料容器會軟化。“煮沸袋”和密閉的塑料袋應按包裝指示拆開，刺孔或排氣。
保鮮膜	僅限微波安全使用類別。用於在烹調過程中覆蓋食物以保存水分。不要讓保鮮膜接觸食物。
蠟紙	用作蓋子以防止飛濺並保存水分。

避免在微波爐中使用的物料

器皿	備註
鋁托盤	可能產生電弧(火光)。將食物轉移到微波爐適用器皿中。
帶金屬手柄的食品紙盒	可能產生電弧(火光)。將食物轉移到微波爐適用器皿中。
金屬或金屬修剪用具	金屬阻隔食物以致未能接觸微波能量。金屬飾邊可能會產生電弧(火光)。
金屬綁帶	可能會產生電弧(火光)，並可能導致微波爐內著火。
紙袋	可能會產生微波爐內著火。
發泡膠	當暴露於高溫時，發泡膠可能會熔化或污染內部的液體。
木	木材在微波爐中使用時會變得乾燥，並可能會分裂或出現裂痕。

設置及安裝

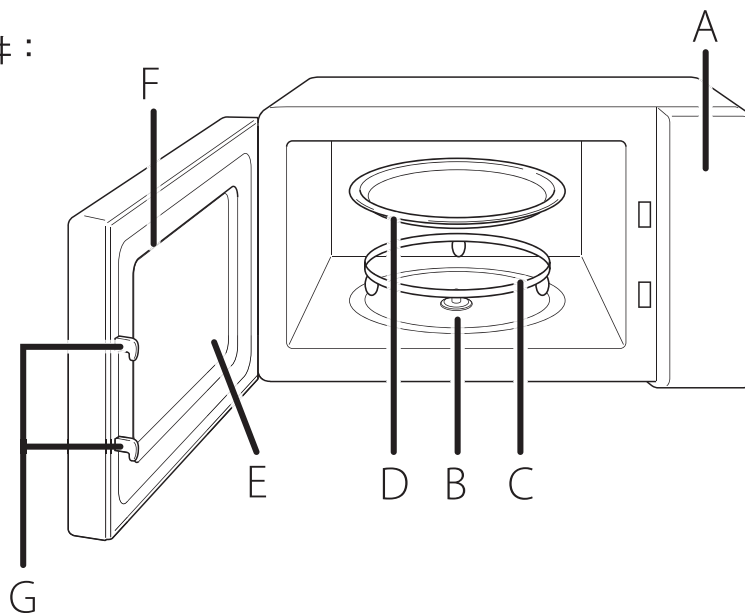
設置您的微波爐

微波爐零件和配件的名稱

取出微波爐和從紙箱和爐腔中取出所有物料。

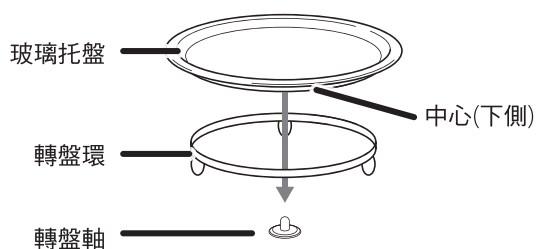
您的微波爐附帶以下配件：

- 玻璃托盤 1
- 轉盤環 1
- 轉盤軸 1
- 使用說明書 1



- A) 控制面板
- B) 轉盤軸
- C) 轉盤環
- D) 玻璃托盤
- E) 觀察窗口
- F) 門組件
- G) 安全鎖系統

轉盤安裝



- 切勿將玻璃托盤倒置。根據圖示把玻璃托盤依正確方向放在轉盤環上，玻璃托盤應可順暢地轉動。
- 烹調時必須使用玻璃托盤和轉盤環組件。
- 所有食物和食物容器必須放在玻璃托盤上進行烹調。
- 如果玻璃托盤或轉盤環組件出現裂縫或斷裂，請聯繫您就近的授權服務中心。

檯面安裝

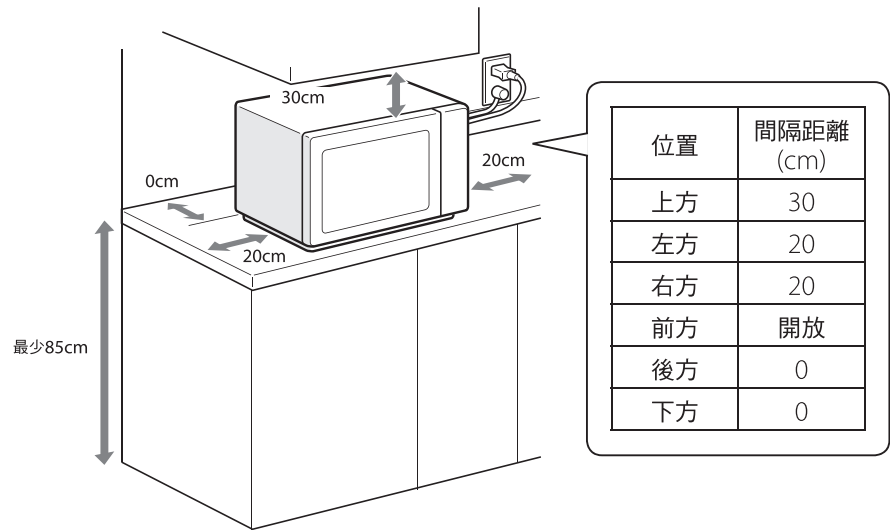
取出所有包裝材料和配件。檢查微波爐是否有任何損壞，如凹痕或爐門破損。如果微波爐損壞，請勿安裝。

機身外殼：拆下微波爐機身外殼表面的任何保護膜。

不要取下貼在微波爐爐腔的淺棕色雲母片，這是用以保護磁控管。

安裝

1. 選擇一個為進氣口和/或出風口提供足夠開放空間的水平面。



- (1) 最小安裝高度為85厘米。
- (2) 產品應放置於貼近牆壁位置。
在微波爐上方留出最少30厘米的距離，微波爐和任何相鄰牆壁之間需要距離最少20厘米。
- (3) 請勿從微波爐底部取下爐腳。
- (4) 阻塞進氣口和/或出口可能會損壞微波爐。
- (5) 將微波爐盡可能遠離收音機和電視機。微波爐的操作可能會對您的收音機或電視接收造成干擾。

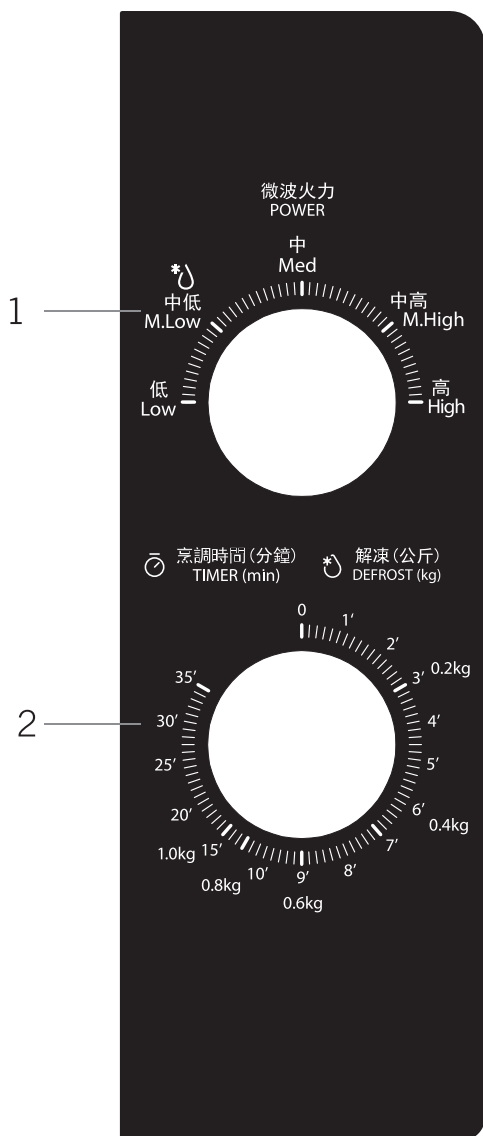
2. 將微波爐插入標準家庭插座。確保電壓和頻率與額定值標籤上的電壓和頻率相同。

警告：不要在煮食爐灶或其他發熱產品上安裝微波爐。如果安裝在熱源附近或之上，微波爐可能會損壞，保修將無效。

在運行期間，可觸及的表面可能會發熱。



操作



1. 微波火力旋鈕
2. 烹調時間旋鈕

- 旋轉“微波火力”旋鈕，去設定所需的烹調火力。
- 旋轉“烹調時間”旋鈕，根據食物指南去設定理想的烹調時間。
- 烹調火力和時間設置後，微波爐將自動開始烹調。
- 烹調時間結束後，本機將發出“咚”聲，運作停止。
- 如果不須使用本機，請時常將時間設定為“0”。

功能/微波火力	輸出	應用
低	17%微波	軟化冰淇淋
中低（解凍）	33%微波	燉湯，軟化牛油或解凍
中	55%微波	炆燉，魚
中高	77%微波	米飯，魚，雞肉，碎肉
高	100%微波	再加熱，牛奶，煲水，蔬菜，飲品

注意：從微波爐內取出食物時，請將烹調時間轉到0（零），以確保微波爐電源關閉。否則，如果在沒有放入食物的情況下操作微波爐，可能會導致磁控管過熱和損壞。

故障排除

正常狀況	
微波爐干擾電視接收	當微波爐運作時，收音機和電視接收可能會受到干擾。它類似於小電器的干擾，如攪拌機，吸塵器和電風扇。這是正常的。
昏暗的爐燈	在低微波火力烹調中，微波爐燈可能變暗。這是正常的。
蒸氣積聚在門上，熱空氣從通風口排出	在烹調中，蒸氣可能會從食物中產生出來。大部分濕氣會從通風口排出。但有些可能會在陰涼處如爐門上積聚。這是正常的。
微波爐意外地在沒有食物的情況下開始運行	禁止在內部沒有食物的情況下運行。這是非常危險的。

故障	可能的原因	補救
微波爐不運行	(1) 電源線沒有插好。	拔下電源線，然後10秒後重新插上。
	(2) 保險絲溶斷或斷路器啟動。	更換保險絲或重設斷路器(由本公司專業人員進行維修)。
	(3) 插座出現故障。	利用其他電器測試插座。
微波爐不能加熱	(4) 門未關妥。	關妥爐門。

CONTENTS

CONTENTS	11
PRECAUTIONS.....	12
SPECIFICATIONS.....	12
IMPORTANT SAFETY INSTRUCTIONS.....	13-14
CLEANING	15
UTENSILS	15-16
SET UP & INSTALLATION	17-18
OPERATION.....	19
TROUBLE SHOOTING.....	20

PRECAUTIONS

PRECAUTIONS TO AVOID POSSIBLE EXPOSURE TO EXCESSIVE MICROWAVE ENERGY

- (a) Do not attempt to operate this oven with the door open since this can result in harmful exposure to microwave energy. It is important not to break or tamper with the safety interlocks.
- (b) Do not place any object between the oven front face and the door or allow cleaner residue to accumulate on sealing surfaces.
- (c) **WARNING:** If the door or door seals are damaged, the oven must not be operated until it has been repaired by a competent person.

ADDENDUM

If the apparatus is not maintained in a good state of cleanliness, its surface could be degraded and affect the life span of the apparatus and lead to a dangerous situation.

SPECIFICATIONS

Model:	MW2-MM24PC(BK)
Rated Voltage:	220V ~50Hz
Power Consumption (Microwave):	1250W
Rated Output Power (Microwave):	800W
Oven Capacity:	24L
Turntable Diameter:	Φ 270mm
Outside Dimensions (D x W x H):	405x485x293mm
Net Weight:	Approx. 13 kg

IMPORTANT SAFETY INSTRUCTIONS

WARNING

To reduce the risk of fire, electric shock, injury to persons or exposure to excessive microwave oven energy when using your appliance, follow basic precautions, including the following:

1. Read and follow the specific: "PRECAUTIONS TO AVOID POSSIBLE EXPOSURE TO EXCESSIVE MICROWAVE ENERGY".
2. This appliance can be used by children and persons with reduced physical, sensory or mental capabilities or lack of experience and knowledge if they have been given supervision or instruction concerning use of the appliance in a safe way and understand the hazards involved. Children shall not play with the appliance. Cleaning and user maintenance shall not be made by children unless they are supervised.
3. Keep the appliance and its cord away from children unless they are continuously supervised.
4. If the supply cord is damaged, it must be replaced by the manufacturer, its service agent or similarly qualified persons in order to avoid a hazard.
5. **WARNING:** Ensure that the appliance is switched off before replacing the lamp to avoid the possibility of electric shock.
6. **WARNING:** It is hazardous for anyone other than a competent person to carry out any service or repair operation that involves the removal of a cover which gives protection against exposure to microwave energy.
7. **WARNING:** Liquids and other foods must not be heated in sealed containers since they are liable to explode.
8. When heating food in plastic or paper containers, keep an eye on the oven due to the possibility of ignition.
9. Only use utensils that are suitable for use in microwave ovens.
10. If smoke is emitted, switch off or unplug the appliance and keep the door closed in order to stifle any flames.
11. Microwave heating of beverages can result in delayed eruptive boiling, therefore care must be taken when handling the container.
12. The contents of feeding bottles and baby food jars shall be stirred or shaken and the temperature checked before consumption, in order to avoid burns.
13. Eggs in their shell and whole hard-boiled eggs should not be heated in microwave ovens since they may explode, even after microwave heating has ended.
14. The oven should be cleaned regularly and any food deposits removed.
15. Failure to maintain the oven in a clean condition could lead to deterioration of the surface that could adversely affect the life of the appliance and possibly result in a hazardous situation.
16. Only use the temperature probe recommended for this oven.(for ovens provided with a facility to use a temperature-sensing probe.)
17. The microwave oven shall not be placed in a cabinet unless it has been tested in a cabinet.
18. This appliance is intended to be used in household and similar applications such as:
 - staff kitchen areas in shops, offices and other working environments;
 - by clients in hotels, motels and other residential type environments;
 - farm houses;
 - bed and breakfast type environments.
19. The microwave oven is intended for heating food and beverages. Drying of food or clothing and heating of warming pads, slippers, sponges, damp cloth and similar may lead to risk of injury, ignition or fire.
20. Metallic containers for food and beverages are not allowed during microwave cooking.
21. The appliance shall not be cleaned with a steam cleaner.

22. The appliance is intended to be used freestanding.
23. The rear surface of appliances shall be placed against a wall.
24. The appliances are not intended to be operated by means of an external timer or separate remote-control system.

READ CAREFULLY AND KEEP FOR FUTURE REFERENCE

To Reduce the Risk of Injury to Persons Grounding Installation

DANGER

Electric Shock Hazard

Touching some of the internal components can cause serious personal injury or death. Do not disassemble this appliance.

WARNING

Electric Shock Hazard

Improper use of the grounding can result in electric shock.

Do not plug into an outlet until appliance is properly installed and grounded.

This appliance must be grounded. In the event of an electrical short circuit, grounding reduces the risk of electric shock by providing an escape wire for the electric current.

This appliance is equipped with a cord having a grounding wire with a grounding plug. The plug must be plugged into an outlet that is properly installed and grounded.

Consult a qualified electrician or serviceman if the grounding instructions are not completely understood or if doubt exists as to whether the appliance is properly grounded.

If it is necessary to use an extension cord, use only a 3-wire extension cord.

1. A short power-supply cord is provided to reduce the risks resulting from becoming entangled in or tripping over a longer cord.
2. If a long cord set or extension cord is used:
 - 1) The marked electrical rating of the cord set or extension cord should be at least as great as the electrical rating of the appliance.
 - 2) The extension cord must be a grounding-type 3-wire cord.
 - 3) The long cord should be arranged so that it will not drape over the counter top or tabletop where it can be pulled on by children or tripped over unintentionally.

CLEANING

Be sure to unplug the appliance from the power supply.

1. Clean the cavity of the oven after using with a slightly damp cloth.
2. Clean the accessories in the usual way in soapy water.
3. The door frame and seal and neighboring parts must be cleaned carefully with a damp cloth when they are dirty.
4. Do not use harsh abrasive cleaners or sharp metal scrapers to clean the oven door glass since they can scratch the surface, which may result in shattering of the glass.
5. Cleaning Tip---For easier cleaning of the cavity walls that the food cooked can touch: Place half a lemon in a bowl, add 300ml (1/2 pint) water and heat on 100% microwave power for 10 minutes. Wipe the oven clean using a soft, dry cloth.

UTENSILS

CAUTION

Personal Injury Hazard

It is hazardous for anyone other than a competent person to carry out any service or repair operation that involves the removal of a cover which gives protection against exposure to microwave energy.

See the instructions on "Materials you can use in microwave oven or to be avoided in microwave oven." There may be certain non-metallic utensils that are not safe to use for microwaving. If in doubt, you can test the utensil in question following the procedure below.

Utensil Test:

1. Fill a microwave-safe container with 1 cup of cold water (250ml) along with the utensil in question.
2. Cook on maximum power for 1 minute.
3. Carefully feel the utensil. If the empty utensil is warm, do not use it for microwave cooking.
4. Do not exceed 1 minute cooking time.

Materials you can use in microwave oven

Utensils	Remarks
Browning dish	Follow manufacturer's instructions. The bottom of browning dish must be at least 3/16 inch (5mm) above the turntable. Incorrect usage may cause the turntable to break.
Dinnerware	Microwave-safe only. Follow manufacturer's instructions. Do not use cracked or chipped dishes.
Glass jars	Always remove lid. Use only to heat food until just warm. Most glass jars are not heat resistant and may break.
Glassware	Heat-resistant oven glassware only. Make sure there is no metallic trim. Do not use cracked or chipped dishes.
Oven cooking bags	Follow manufacturer's instructions. Do not close with metal tie. Make slits to allow steam to escape.
Paper plates and cups	Use for short-term cooking/warming only. Do not leave oven unattended while cooking.
Paper towels	Use to cover food for reheating and absorbing fat. Use with supervision for a short-term cooking only.
Parchment paper	Use as a cover to prevent splattering or a wrap for steaming.
Plastic	Microwave-safe only. Follow the manufacturer's instructions. Should be labeled "Microwave Safe". Some plastic containers soften, as the food inside gets hot. "Boiling bags" and tightly closed plastic bags should be slit, pierced or vented as directed by package.
Plastic wrap	Microwave-safe only. Use to cover food during cooking to retain moisture. Do not allow plastic wrap to touch food.
Wax paper	Use as a cover to prevent splattering and retain moisture.

Materials to be avoided in microwave oven

Utensils	Remarks
Aluminum tray	May cause arcing. Transfer food into microwave-safe dish.
Food carton with metal handle	May cause arcing. Transfer food into microwave-safe dish.
Metal or metal-trimmed utensils	Metal shields the food from microwave energy. Metal trim may cause arcing.
Metal twist ties	May cause arcing and could cause a fire in the oven.
Paper bags	May cause a fire in the oven.
Plastic foam	Plastic foam may melt or contaminate the liquid inside when exposed to high temperature.
Wood	Wood will dry out when used in the microwave oven and may split or crack.

SET UP & INSTALLATION

SETTING UP YOUR OVEN

Names of Oven Parts and Accessories

Remove the oven and all materials from the carton and oven cavity.

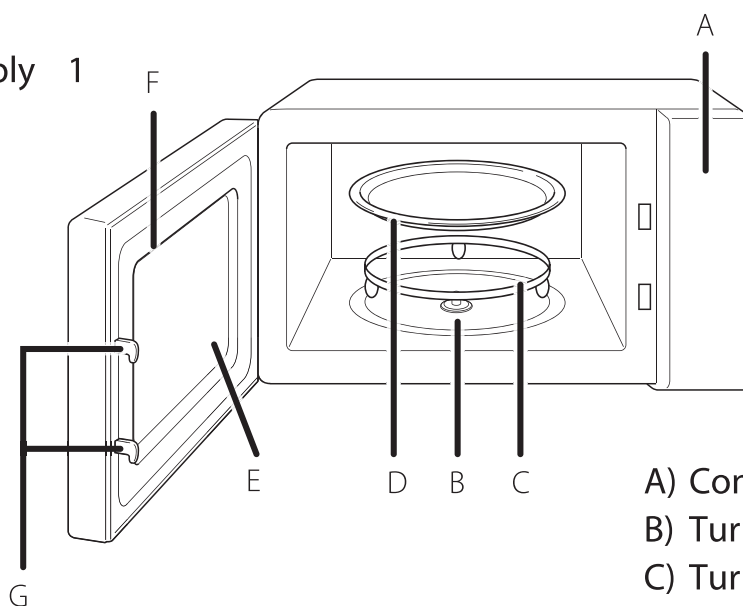
Your oven comes with the following accessories:

Glass tray 1

Turntable ring assembly 1

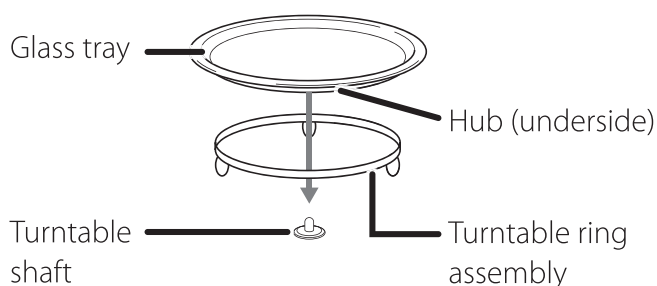
Turntable Shaft 1

Instruction Manual 1



- A) Control panel
- B) Turntable shaft
- C) Turntable ring assembly
- D) Glass tray
- E) Observation window
- F) Door assembly
- G) Safety interlock system

Turntable Installation



- a. Never place the glass tray upside down. Follow the instruction to place the glass tray on the turntable ring with correct direction. The glass tray should rotate smoothly.
- b. Both glass tray and turntable ring assembly must always be used during cooking.
- c. All food and containers of food are always placed on the glass tray for cooking.
- d. If glass tray or turntable ring assembly cracks or breaks, contact your nearest authorized service center.

Countertop Installation

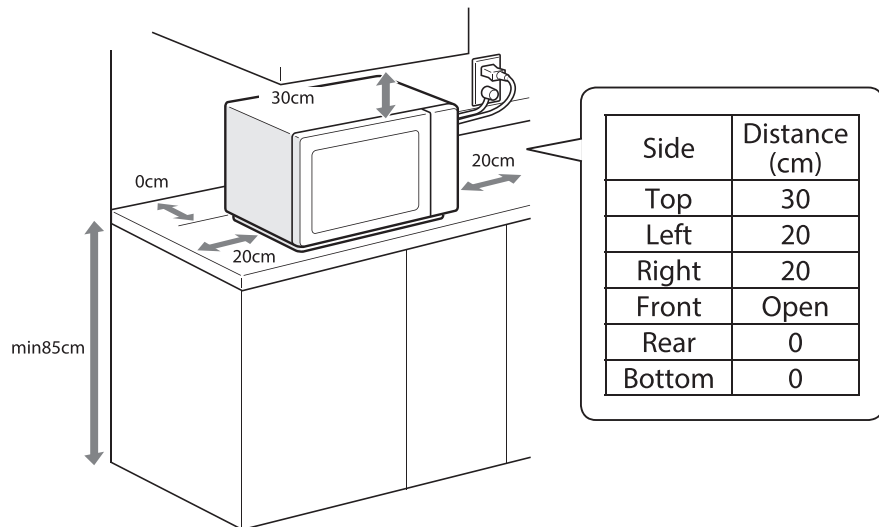
Remove all packing material and accessories. Examine the oven for any damage such as dents or broken door. Do not install if oven is damaged.

Cabinet: Remove any protective film found on the microwave oven cabinet surface.

Do not remove the light brown Mica cover that is attached to the oven cavity to protect the magnetron.

Installation

1. Select a level surface that provide enough open space for the intake and/or outlet vents.



(1) The minimum installation height is 85cm.

(2) The rear surface of appliance shall be placed against a wall.

Leave a minimum clearance of 30cm above the oven, a minimum clearance of 20cm is required between the oven and any adjacent walls.

(3) Do not remove the legs from the bottom of the oven.

(4) Blocking the intake and/ or outlet openings can damage the oven.

(5) Place the oven as far away from radios and TV as possible. Operation of microwave oven may cause interference to your radio or TV reception.

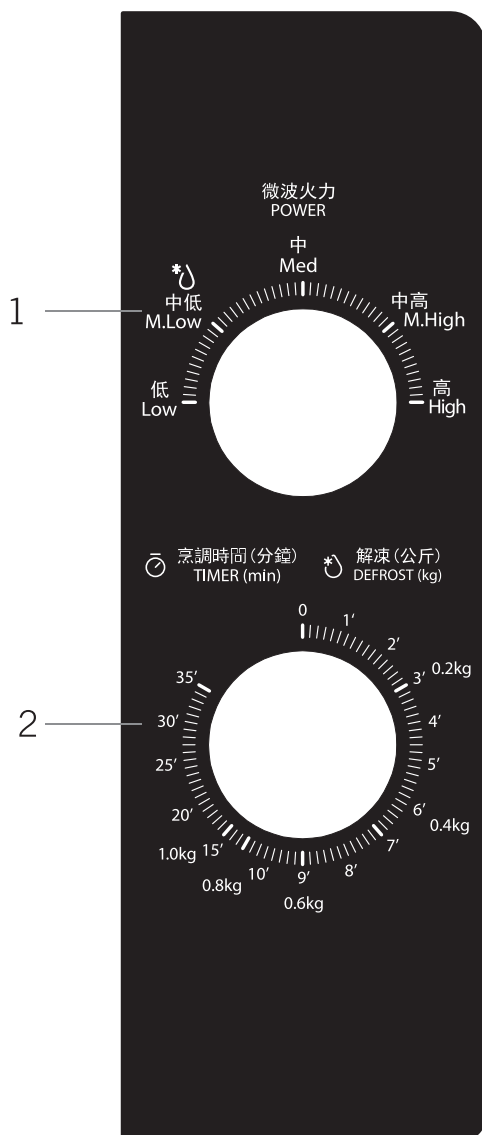
2. Plug your oven into a standard household outlet. Be sure the voltage and the frequency is the same as the voltage and the frequency on the rating label.

WARNING: Do not install oven over a range cooktop or other heat-producing appliance. If installed near or over a heat source, the oven could be damaged and the warranty would be void.

The accessible surface may be hot during operation.



OPERATION



1. POWER knob
2. TIMER knob

- To set cooking power by turning POWER knob to desired level.
- To set the time of cooking by turning TIMER knob to desired time per your food cooking guide.
- The microwave oven will automatically start cooking after power level and time are set.
- After the cooking time is up, the unit will “Dong” to stop.
- If the unit is not in use, always set time to “0”.

Function/Power	Output	Application
Low	17% Micro.	Soften Ice Cream
Med. Low (Defrost)	33% Micro.	Soup Stew, Soften Butter or Defrost
Med.	55% Micro.	Stew, Fish
Med. High	77% Micro.	Rice, Fish, Chicken, Ground Meat
High	100% Micro.	Reheat, Milk, Boil Water, Vegetables, Beverage

Notice: When removing food from the oven, please ensure that the oven power is switched off by turning the timer switch to 0 (zero). Failure to do so, and operating the microwave oven without food in it, can result in overheating and damage to the magnetron.

TROUBLE SHOOTING

Normal	
Microwave oven interfering TV reception	Radio and TV reception may be interfered when microwave oven operating. It is similar to the interference of small electrical appliance, like mixer, vacuum cleaner, and electric fan. It is normal.
Dim oven light	In low power microwave cooking, oven light may become dim. It is normal.
Steam accumulating on door, hot air out of vents	In cooking, steam may come out of food. Most will get out from vents. But some may accumulate on cool place like oven door. It is normal.
Oven started accidentally with no food in.	It is forbidden to run the until without any food inside. It is very dangerous.

Trouble	Possible Cause	Remedy
Oven can not be started.	(1) Power cord not plugged in tightly.	Unplug. Then plug again after 10 seconds.
	(2) Fuse blowing or circuit breaker works.	Replace fuse or reset circuit breaker (repaired by professional personnel of our company)
	(3) Trouble with outlet.	Test outlet with other electrical appliances.
Oven does not heat.	(4) Door not closed well.	Close door well.

