

# TOSHIBA



## 使用說明書

真空吸塵機（家用）

VC-CLX50BF

ZH-HK

## 目錄

### 產品簡介

注意事項	3
部件名稱	4
指示燈說明	6

### 使用說明

充電	7
吸塵	8
配件	9

### 清潔與保養

清理集塵筒	10
清潔集塵筒組件	11
清潔電動地刷	13
其他部件清潔	14

### 故障排解及規格

故障排除	15
產品規格	16
產品棄置	17

## 產品介紹



### 注意事項

- 為了正確並安全使用本產品，請在使用前仔細閱讀並充分理解此使用說明書。閱讀後請妥善保管，以便隨時瀏覽。
- 請勿將吸塵機接近熱源、輻射或者燃燒的煙蒂，嚴禁吸進下列物件：
  - 水及溶劑等一切液體。
  - 石灰、水泥灰等建築粉塵及垃圾。
  - 發熱物體、如未熄滅碳頭、煙蒂。
  - 銳利碎片，如玻璃等。
  - 易燃易爆物品，如汽油或酒精製品。
- 切勿讓小孩玩弄或操作吸塵機、以免發生意外；
- 你的吸塵機是一部電器：其必須按照正常使用條件進行使用，切勿讓吸塵機在無人看管的情況下獨自運轉；
- 清潔、維修或暫時不用吸塵機時、必須切斷電源；
- 切斷電源：不可拉扯電源線，須用手拿住插頭塑料部位拔下插頭；
- 檢查確認供電電壓必須與吸塵機充電電壓一致；
- 吸塵機的電源線，不要讓其穿越鋒利的物品，以免損壞電源線；
- 切忌將吸塵機浸入水中，避免接近發熱器具或暴曬，以免發生火災；
- 出現下列情況時，請勿使用吸塵機，並及時送至敝公司指定的維修部檢修：
  - 發生跌落並出現明顯損壞或運轉不正常；
  - 電源線破損。
- 避免在吸入口堵塞的狀態下長時間運作，以免電機損壞及吸塵機發熱變形；
- 搬運過程中不得按下集塵器按鈕，以防集塵器鬆脫掉落砸傷。
- 本產品不適用與下列人群：兒童，行為能力、感知能力受限的人士，有精神障礙的人士，以及缺乏操作本產品的必要經驗和知識的人士。上述人群需在負責其安全的監護人之監督或指示下，方可操作本產品。應當採取監督措施，確保兒童不會將此產品用作玩具玩耍。

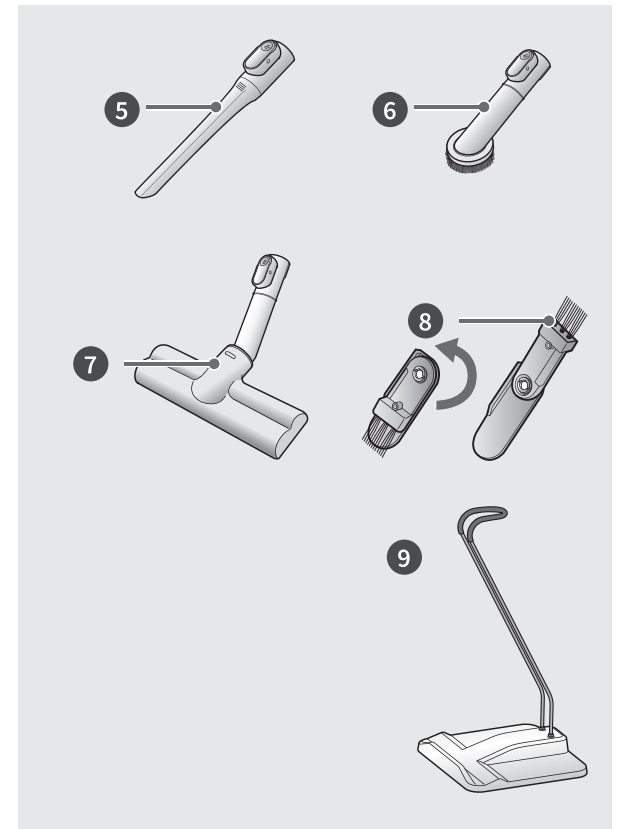
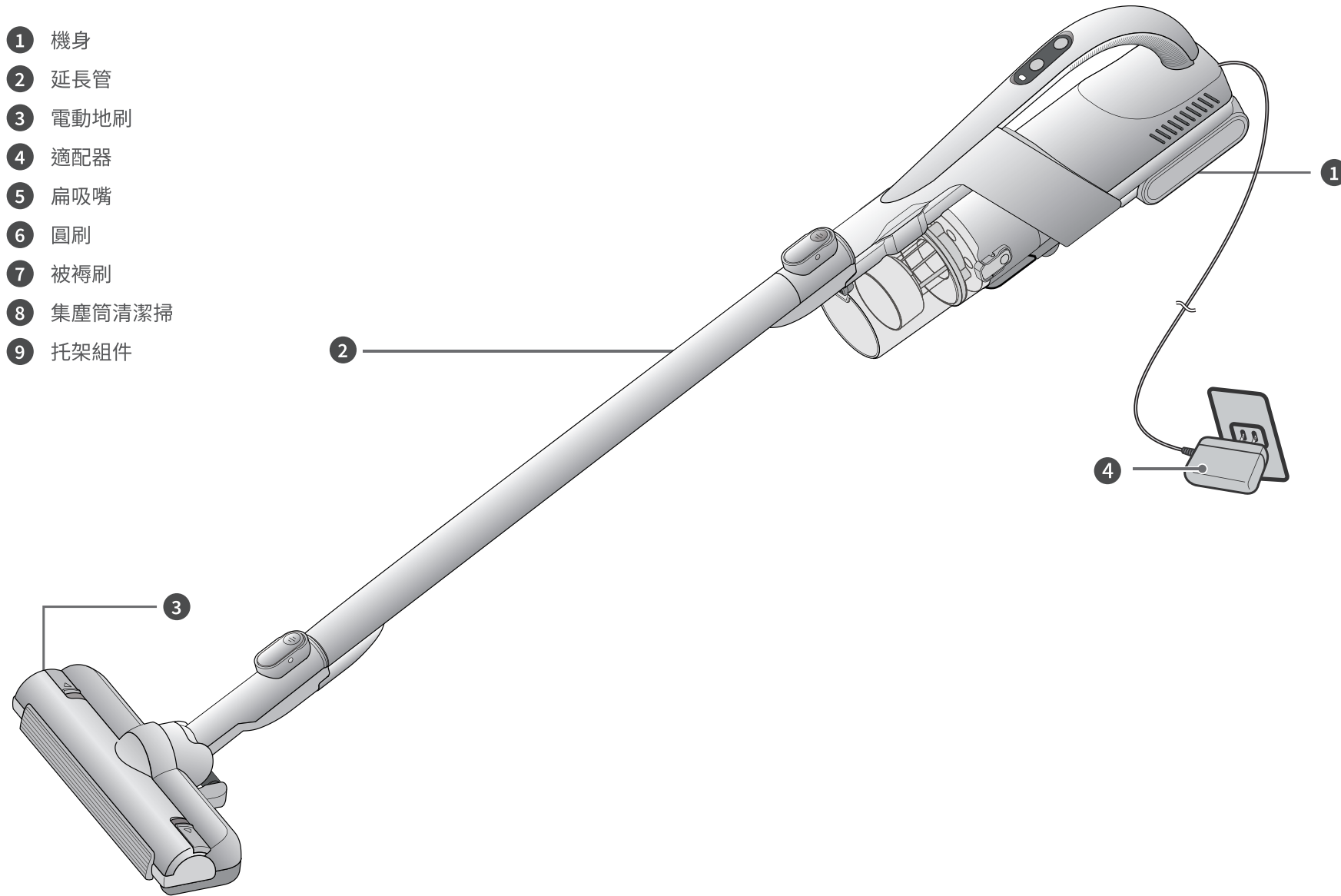
### 充電注意事項

- 在以下情況中，充電時間可能延長：
  - 在室溫超過35 °C 以上或低於5 °C 的場所充電時；
  - 停止運作後，立即充電時。
- 不管使用時間長短，清掃結束後請進行充電。
- 不充電時，建議將充電器及時拔下。
- 如果你的機器長時間（1個月以上）不使用時，請將電源插頭拔下，但為了保證電池壽命，
- 每6個月需將其充滿電一次。
- 充電過程中、機體或電源適配器可能出現發熱、屬正常現象、請放心使用。
- 只能使用本產品提供的充電器對電池包進行充電。

# 產品簡介

## 各部件名稱

- ① 機身
- ② 延長管
- ③ 電動地刷
- ④ 適配器
- ⑤ 扁吸嘴
- ⑥ 圓刷
- ⑦ 被褥刷
- ⑧ 集塵筒清潔掃
- ⑨ 托架組件



## 產品簡介

### 指示燈說明

- 充電／運作指示燈

功能	狀況	顯示
運作顯示	- 機器正在運作	指示燈沒有亮起
異常顯示	- 濾棉略有堵塞 - 使用了錯誤的電池組	- 閃爍 (藍色) - 快速閃爍 (藍色)



### 電動地刷自動啟停：

當電動地刷提離地面時會停止運行，放回地面後則會恢復運行。

## 使用說明

### 蓄電及充電說明

電池出廠時並無充電。使用前請確保已充滿電。

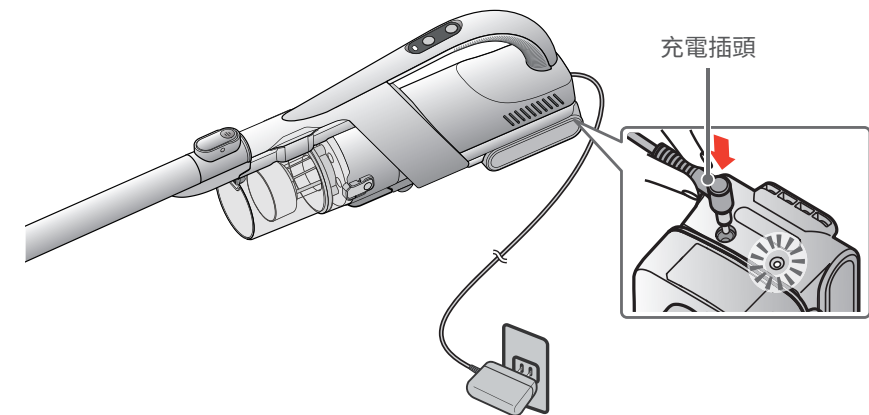
將充電插頭插入本產品的充電端口，充電指示燈（紅色）亮起即表示開始充電，電池充滿電約需 2.5 小時。

### 充電指示燈的含義：

紅燈閃爍：需要充電

紅燈常亮：正在充電

紅燈消失：充電已完成



### ⚠ 警告

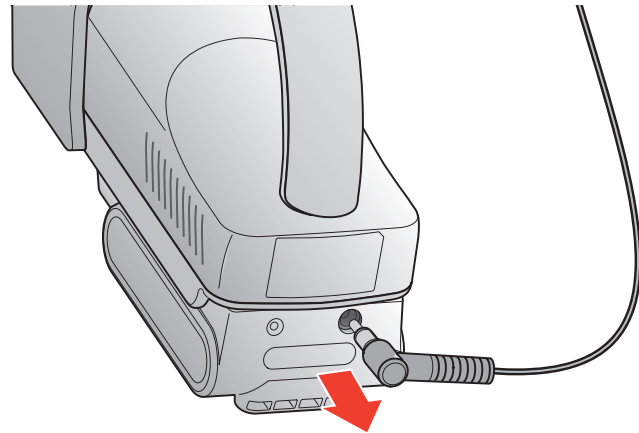
1. 充電時不可使用。如需使用，請拔掉產品的充電插頭；
2. 避免在高於 35°C 高溫或低於 5°C 的低溫下充電；
3. 如果您的機器長期不使用（超過 1 個月），請拔掉電源插頭，但每隔 6 個月將其充滿電，以免縮短其電池壽命。

## 使用說明

### 吸塵

吸塵前，請先清理石頭、包裝膜等大塊垃圾，以免阻塞氣流路徑或刮花產品。

1. 拔掉充電插頭；
2. 按下 [弱/強] 或 [標準/關] 進行吸塵。



#### • 吸力選擇

弱檔：用於垃圾較多的情況；

強檔：用於長時間吸塵的情況；

標準/關：用於垃圾較少的情況。

3. 吸塵完畢後，按下 [標準/關] 按鈕結束操作。

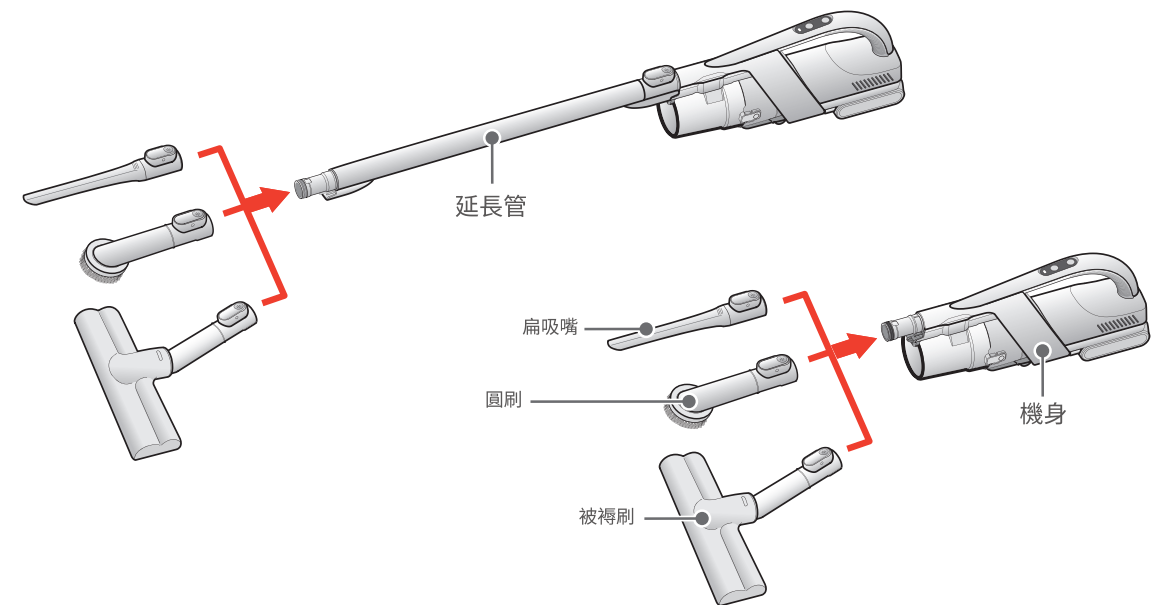


## 使用說明

### 配件使用

配件	適用場景	適配	
		吸塵機機身	延長管
電動地刷	普通地毯等	√	√
扁吸嘴	縫隙、狹窄處	√	√
圓刷	枱面和櫃子等	√	√
被褥刷	被褥等床上用品	√	√
集塵筒清潔掃	清理集塵筒	×	×

- 配件可接駁在機身和延長管上

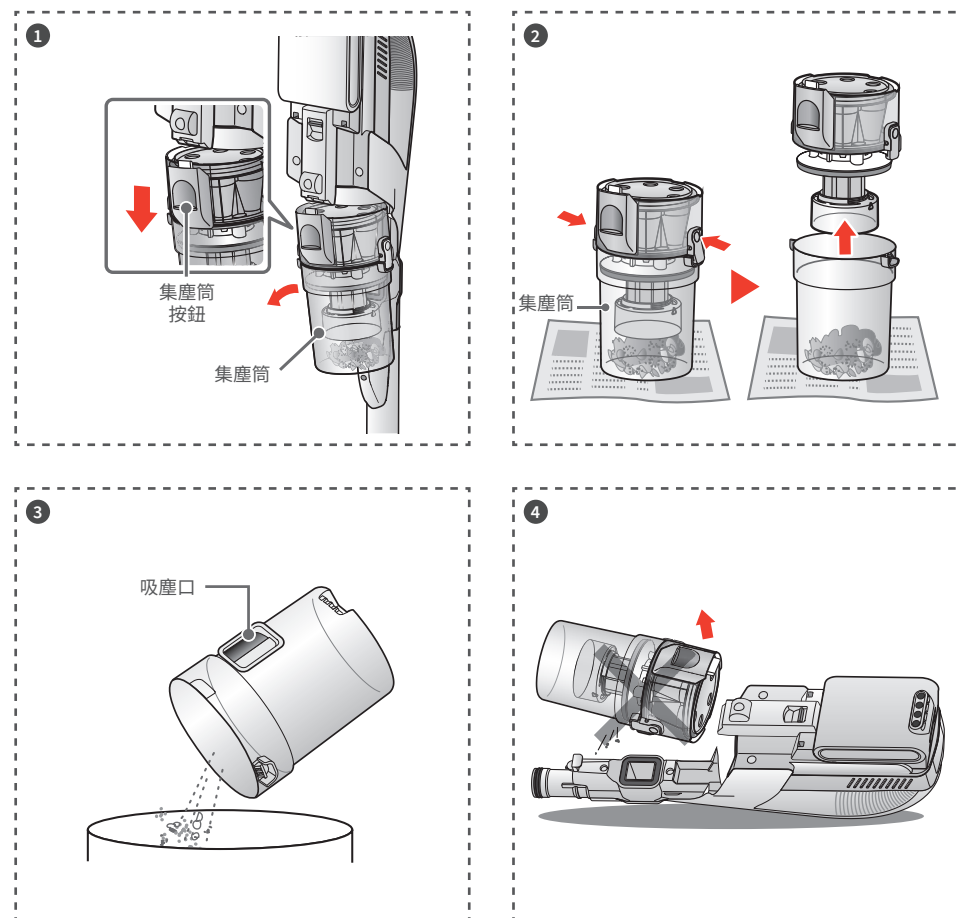


## 清潔與保養

### 清理集塵筒

為保持吸力，請在吸塵後定期清理垃圾。

- 1 取出集塵筒：使產品處於垂直狀態，向下滑動集塵筒按鈕，取出集塵筒。
- 2 拆卸集塵筒：逆時針旋轉集塵筒以拆卸。
- 3 傾倒垃圾：吸塵口向上，對準垃圾桶（袋）傾倒垃圾。
- 4 清理集塵筒：使用集塵筒頂蓋上的清潔掃來清理附著的垃圾。



### 警告

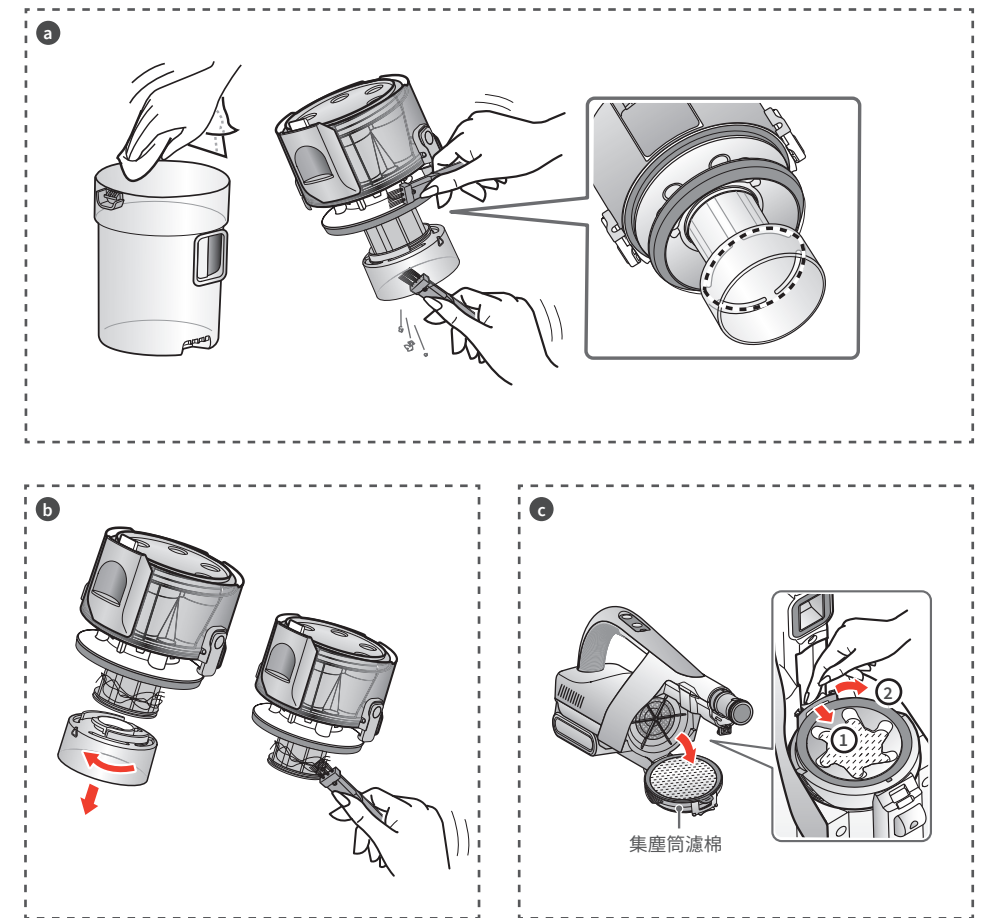
全機水平放置時，請勿取出集塵筒，以免垃圾散落。

## 清潔與保養

### 清潔集塵筒組件

如果採取上述步驟後吸力仍然很小，請用水清洗集塵筒組件和集塵筒濾棉。

- 1 拆卸部件
  - a. 按下集塵筒上蓋的鎖扣，逆時針旋轉上蓋，將其取下；
  - b. 拆下灰塵分離器；
  - c. 取下集塵筒濾棉組件，取出集塵筒濾棉。

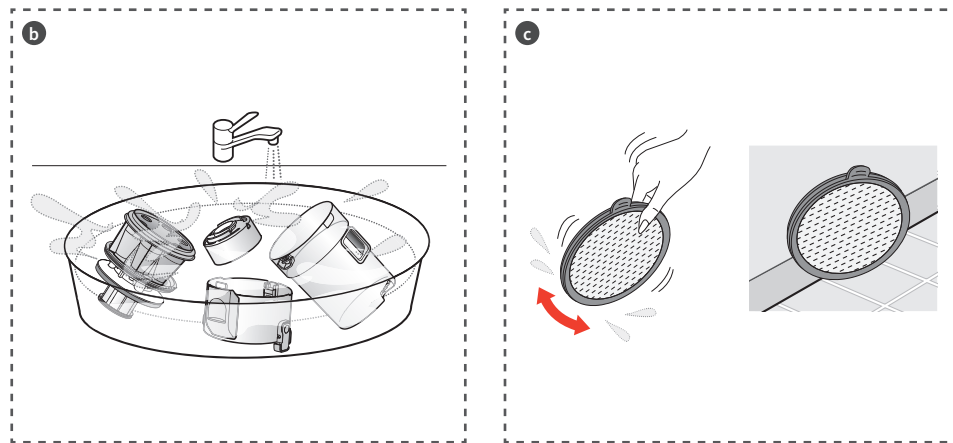
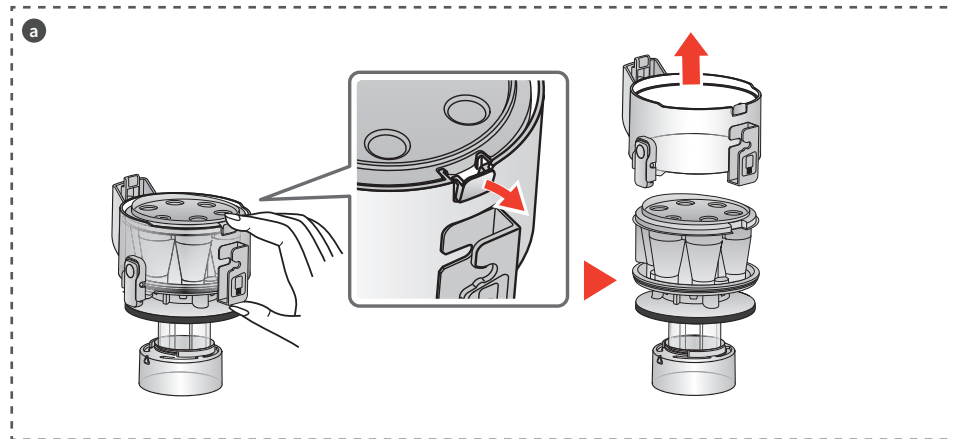


## 清潔與保養

### 清潔集塵筒組件

#### ② 用水清洗

- 清潔灰塵分離器；用清潔掃清理帶濾網的部件和集塵筒邊緣的垃圾，並用濕布擦拭；
- 用水清洗部件；
- 將集塵筒濾棉用乾至無水飛濺，然後置於陰涼處晾乾。



#### ⚠ 警告

- 請勿使用清潔劑和其他清洗劑進行清潔；
- 清洗後，必須徹底晾乾後才可重新使用；
- 請勿用風筒吹乾；
- 集塵筒濾棉屬於消耗品。如需更換，請聯絡東芝售後服務部。

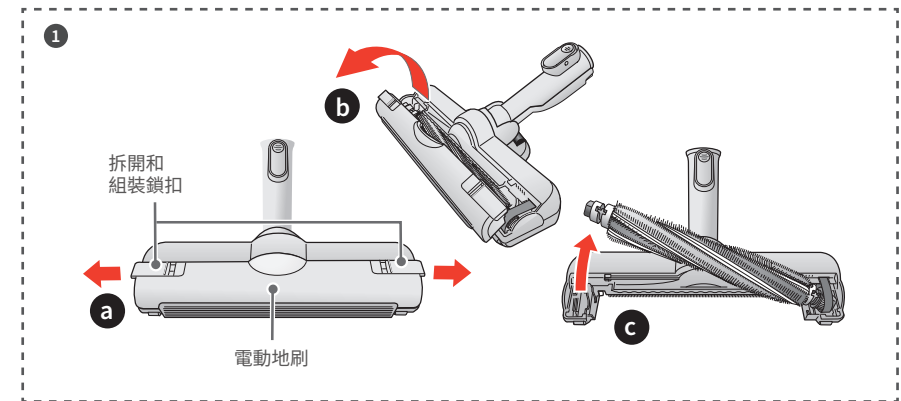
## 清潔與保養

### 清潔電動地刷

當滾筒刷和滾輪被垃圾纏繞或骯髒時，請進行清潔。

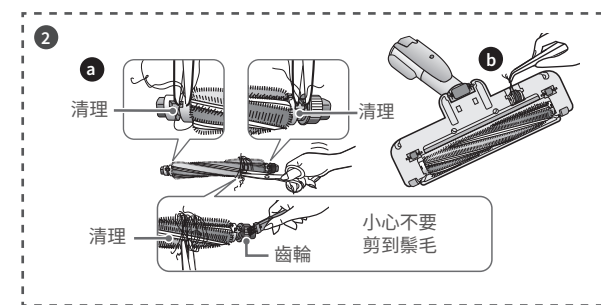
#### ① 取下地刷

- 沿箭咀方向左右推動以拆開鎖扣；
- 取下保護罩；
- 拎起滾筒刷。



#### ② 清理垃圾

- 用剪刀或刀片將纏繞在滾筒刷上的垃圾剪斷並清理乾淨；
- 用鑷子夾走纏繞在滾輪和自動暫停裝置上的垃圾。



#### ⚠ 警告

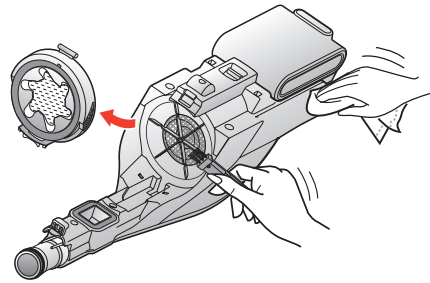
- 如果氣流路徑有垃圾阻塞，請使用即棄筷子清理；
- 除滾筒刷和吸塵罩外，其餘均不可水洗；
- 請勿在滾筒刷兩端加潤滑油；
- 操作時，請勿觸碰滾筒刷或站在全機出風口附近；
- 滾輪或電動刷磨損時，請停止使用。如需更換，請聯絡東芝售後服務部。

## 清潔與保養

### 清潔其他部件

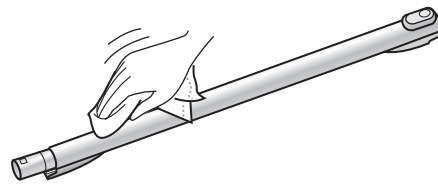
#### 1 機身

用乾布擦拭。使用產品隨附的清潔掃，清理附著於機身濾網的垃圾。



#### 2 延長管

用乾布擦拭。



#### 3 圓刷、扁吸嘴

水洗後請晾乾。



## 故障排解及規格

### 排除異常狀況

嚴禁擅自改裝產品本體或其配件；嚴禁擅自更換電源線或電池。

除專業維修人員外，請勿擅自拆卸或維修本產品。

如果充電過程中出現異常，請拔掉電源插頭，約 15 秒後重新插入充電。

當異常持續或在運行過程中出現異常時，按下「Mid/off」停止運行，

然後檢查以下項目。



異常	可能原因	故障排解方法
沒有運作或突然停止運作	<ul style="list-style-type: none"><li>- 低電量</li><li>- 電源插頭剛被拔出，吸塵機正處於保護狀態</li><li>- 集塵筒的濾網堵塞</li><li>- 室溫過高或過低</li></ul>	<ul style="list-style-type: none"><li>- 請在充電後使用</li><li>- 運行前請稍等 3 秒</li><li>- 請參閱第 6 頁的「操作」</li><li>- 在適當的環境下使用</li></ul>
電動地刷／滾筒刷沒有轉動	<ul style="list-style-type: none"><li>- 已啟用「節能暫停」功能</li><li>- 視乎氈毯類型（電熱氈、長絨或厚絨地毯），滾筒刷可能會停止運作</li><li>- 滾筒刷被大量線頭或毛髮纏繞</li></ul>	<ul style="list-style-type: none"><li>- 請參閱第 6 頁的「操作」</li><li>- 請按下「Mid/off」以停止運作並重新啟動吸塵機。</li><li>- 請在清潔刷毛後使用</li></ul>
充電時，指示燈關閉／閃爍	<ul style="list-style-type: none"><li>- 充電線尚未牢固連接</li><li>- 產品停止運作後立即充電</li></ul>	<ul style="list-style-type: none"><li>- 重新連接充電線</li><li>- 為保護電路，請耐心等待</li></ul>
充電時間變長	<ul style="list-style-type: none"><li>- 室溫過高或過低</li><li>- 使用後請立即充電</li></ul>	<ul style="list-style-type: none"><li>- 請在適當的環境下充電</li><li>- 為保護電路，請耐心等待</li></ul>
運行期間吸力變弱	<ul style="list-style-type: none"><li>- 使用溫度過高和持續運行</li><li>- 使用自動模式</li><li>- 在濾網／吸塵口堵塞的情況下持續運行</li></ul>	<ul style="list-style-type: none"><li>- 請在適當的環境下充電</li><li>- 由於偵測到的垃圾較少，因此吸力較弱，這並非異常情況。</li><li>- 請在清潔後使用</li></ul>
指示燈為藍色	<ul style="list-style-type: none"><li>- 在濾棉堵塞的情況下持續運行</li></ul>	<ul style="list-style-type: none"><li>- 請在清潔後使用（請參閱第 11 頁的「操作」）</li></ul>



## 故障排解及規格

### 產品規格

電池	充電式鋰電池 18V $\approx$ 2.2 Ah
集塵容量	約 0.13 升
充電時間	約 2.5 小時
放電時間	強檔：約 10 分鐘 標準檔：約 25 分鐘 弱檔：約 35 分鐘 (含電動地刷) 弱檔：約 40 分鐘 (不含電動地刷) (電池首次使用時，室溫為 20 °C) *視乎地材、待清潔處的垃圾量和使用環境而定。
充電輸入	100-240 V ~ 50-60 Hz 0.6 A
充電輸出	20.2 V $\approx$ 1.25 A
電源線長度	1.8 米

## 故障排解及規格

### 產品棄置

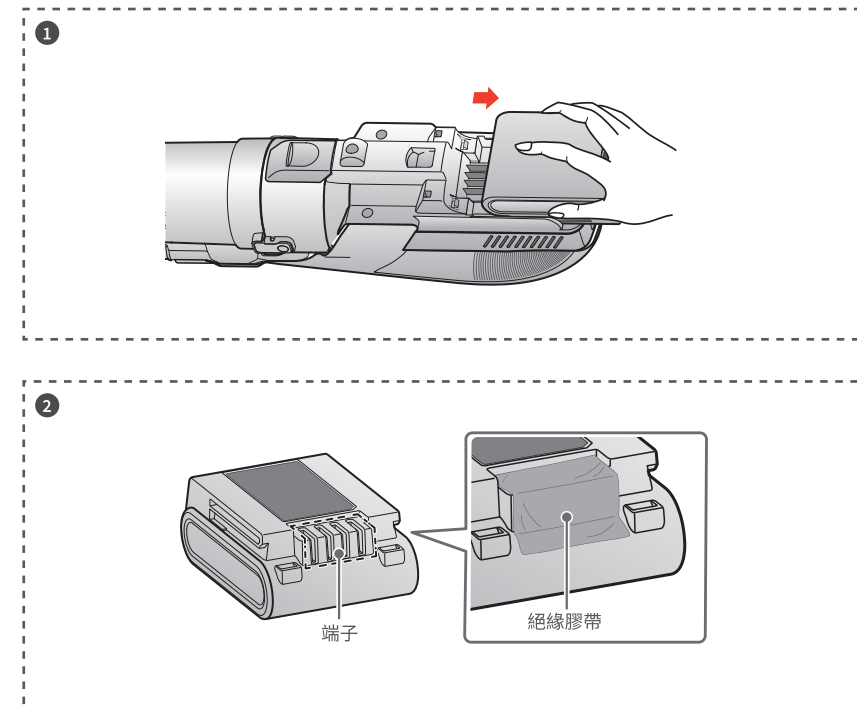
除廢棄產品外，嚴禁擅自拆卸電池，以免發生危險。

嚴禁重複使用廢棄電池。

當棄置產品時，請嚴格遵循以下步驟。

請在電量耗盡後拆卸電池。

- 1 將吸塵機放電至不再運作後，按住電池滑塊向後滑動，取出電池；
- 2 用絕緣膠帶覆蓋端子。



#### • 電池回收

廢棄電池是重要資源。棄置本產品時，請勿隨意丟棄電池。

請按照政府規例妥善處理。

為防止短路，請務必在金屬端子上黏貼膠帶，以進行絕緣處理。

# TOSHIBA



User's Manual

Vacuum Cleaner (household)

VC-CLX50BF

# Contents

## Product introduction

Precautions.....	3
Name of each part .....	4
Indicator light description.....	6

## Instructions for use

Storage and charging instructions.....	7
Cleaning.....	8
Use of accessories.....	9

## Cleaning and maintenance

Dust cup cleaning .....	10
Dust cup assembly cleaning .....	11
Electric floor brush cleaning .....	13
Cleaning of other parts.....	14

## Troubleshooting and specification

Abnormality elimination.....	15
Product Specification .....	16
Product Disposal .....	17

# Product Introduction



## Safety Warning

### Precautions

- In order to use this product correctly and safely, please carefully read and fully understand this manual before use. Keep it properly for future reference.
- Do not bring the vacuum cleaner close to heat sources, radiation or burning cigarette butts, and it is strictly forbidden to suck the following objects:
  1. All liquids such as water and solvents;
  2. Building dust and garbage such as lime and cement ash;
  3. Heat-generating objects, such as carbon butts and cigarette butts that have not been extinguished;
  4. Sharp fragments such as glass, etc.;
  5. Flammable and explosive materials, such as gasoline or alcohol products.
- Do not let children play with or operate the vacuum cleaner in order to avoid accidents;
- Your vacuum cleaner is an electric appliance: it must be used under normal conditions, and unattended use is prohibited;
- Cut off the power before cleaning, repairing or when it is temporarily not in use;
- To cut off the power supply: Do not drag the power cord; hold the plastic part of the plug and pull it out;
- Check and ensure that the power supply voltage is consistent with the charging voltage of the vacuum cleaner;
- Do not let the power cord of the vacuum cleaner pass through sharp objects, so as to avoid damage;
- Never immerse the vacuum cleaner in water, and avoid close to heating appliances or exposure to the sun in order to prevent fire;
- Do not use the vacuum cleaner in the following situations, and send it to the service department designated by our company for inspection and repair in time:
  1. Drop occurs and there is obvious damage or abnormal operation;
  2. The power cord is damaged.
- Avoid running for a long time with the suction port blocked in order to avoid damage to the motor and deformation of the vacuum cleaner;
- Do not press the button of the dust cup during transportation to prevent the dust cup from falling off and causing injury.
- This appliance can be used by children aged from 8 years and above and persons with reduced physical, sensory or mental capabilities or lack of experience and knowledge if they have been given supervision or instruction concerning use of the appliance in a safe way and understand the hazards involved. Children shall not play with the appliance. Cleaning and user maintenance shall not be made by children without supervision.

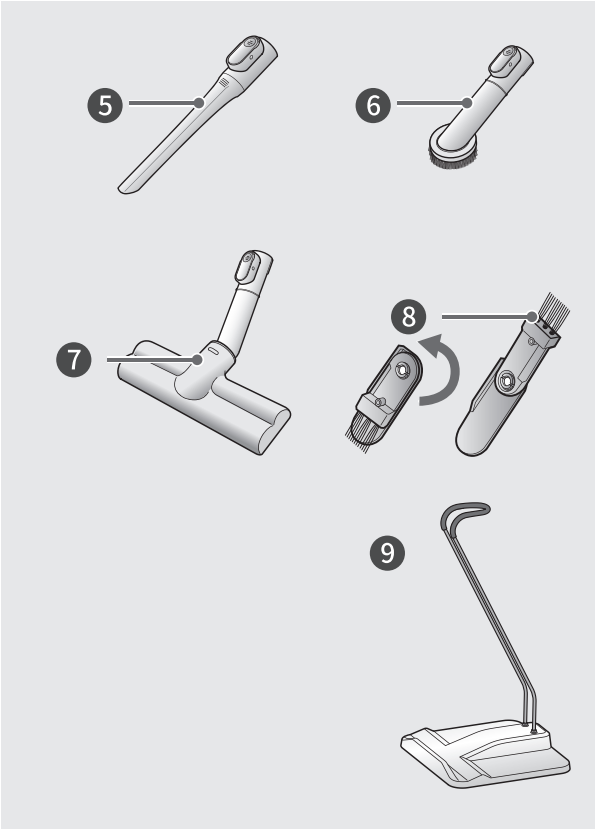
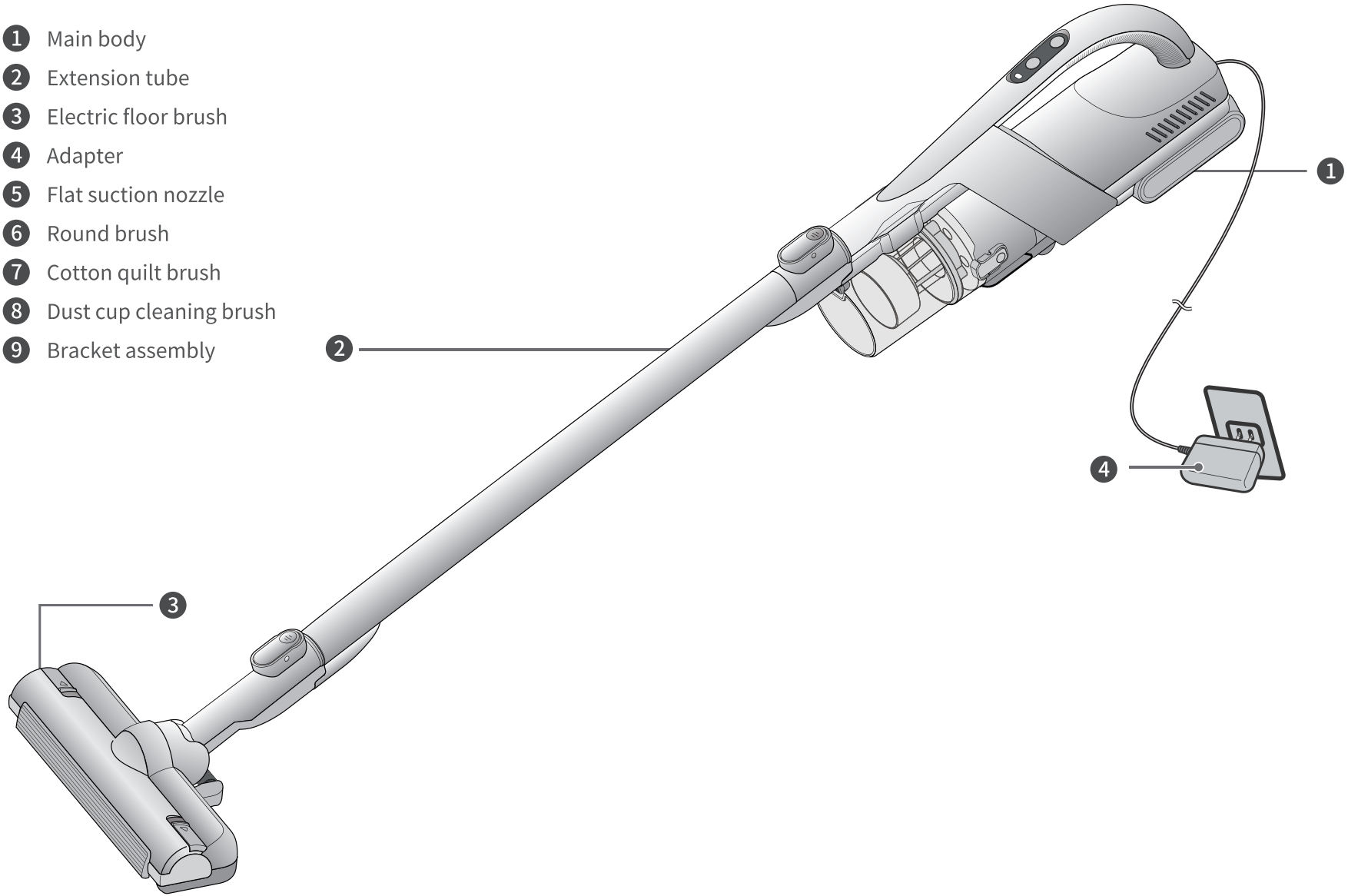
### Charging Precautions

- In the following cases, the charging time may be extended:
  1. When charging in a place where the room temperature exceeds 35°C or below 5°C;
  2. When charging immediately after stopping operation.
- Regardless of the time of use, please charge it after cleaning.
- It is recommended to unplug the charger when it is not charging.
- If your machine will not be used for a long time (more than 2 months), please unplug the power plug. It is recommended to fully charge every 2 months in order to ensure the battery life.
- During the charging process, the cleaner body or power adapter may heat up. This is normal.
- WARNING: For the purposes of recharging the battery, only use the detachable supply unit provided with this appliance.

# Product introduction

## Name of each part

- 1 Main body
- 2 Extension tube
- 3 Electric floor brush
- 4 Adapter
- 5 Flat suction nozzle
- 6 Round brush
- 7 Cotton quilt brush
- 8 Dust cup cleaning brush
- 9 Bracket assembly



# Product introduction

## Indicator light description

- Charge/running indicator

Function	Status	Indication
Operation indication	- The machine is running	The light is not working
Abnormality indication	- The filter cotton is slightly blocked - Wrong battery pack used	- Flash (blue) - Quick flash (blue)



### Automatic start and stop of electric floor brush:

The electric floor brush stops running when it is lifted from the ground, and will resume running after being put back on the ground

# Instructions for use

## Storage and charging instructions

The battery is not charged when leaving the factory. Be sure to fully charge the battery before use.

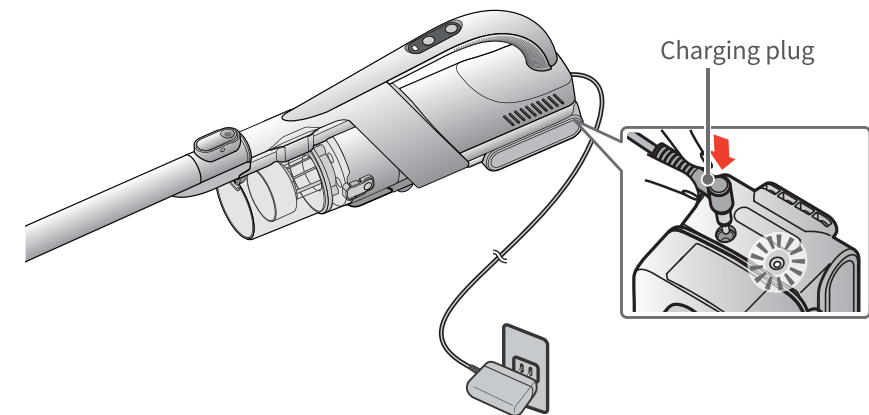
Insert the charging plug into the charging port of the product, the charging begins when the charging LED (red) is on, and it takes about 2.5 hours for the battery to get fully charged.

### The meaning of the charging LED:

Red light flashing: in need of charging

Red light on for a long time: charging

Red light off: charging completed



### **Caution**

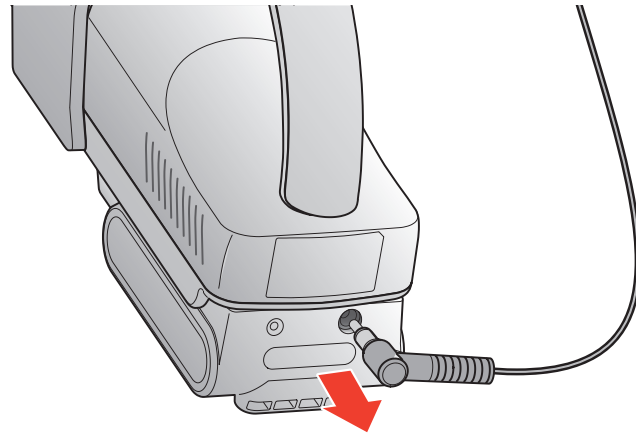
1. It can not be used during charging. If you need to use it, remove the charging plug from the product;
2. Avoid charging at high temperature above 35 °C or low temperature below 5 °C;
3. If your machine will not be used for a long time (more than 1 month), pull out the power plug, but get it fully charged every 6 months, so as not to undermine its battery life.

# Instructions for use

## Cleaning

Clean up large pieces of garbage, such as stones and packaging films before cleaning, avoiding blocking the wind path or scratching the product.

1. Pull out the charging plug;
2. Press "Low/High" or "Mid/off" to clean.



- Suction force selection

High: for situations where there is a lot of garbage;

Low: for long-time cleaning;

Mid/off: for situations with less garbage.

3. After cleaning, press the "Mid/off" button to end the operation.

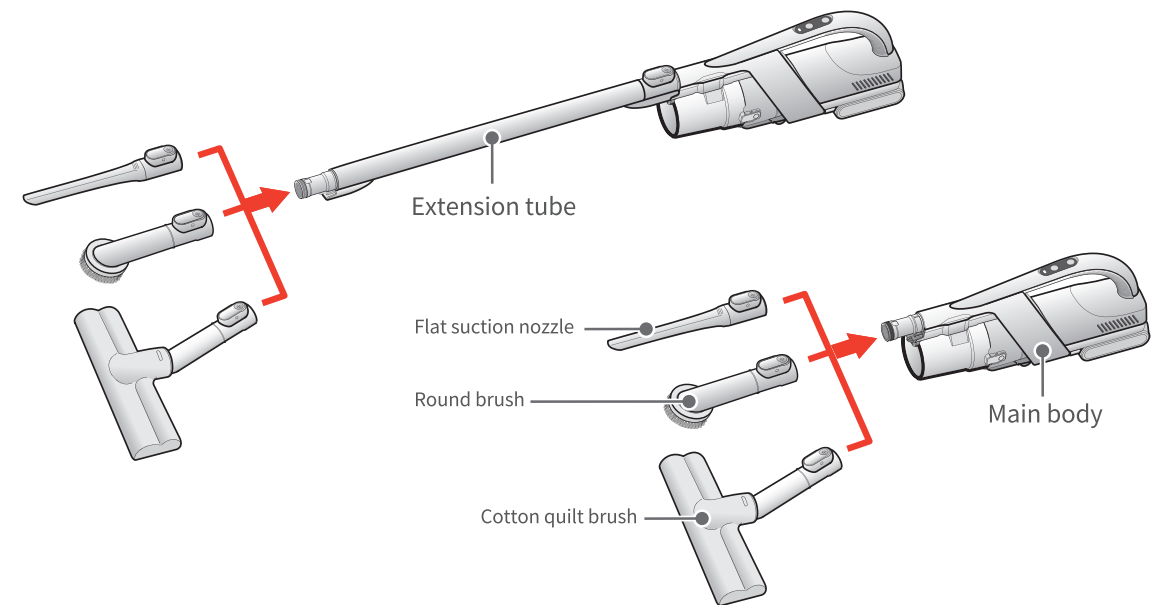


# Instructions for use

## Use of accessories

Accessories	Service scenario	Mutual matching	
		Machine body	Extension tube
Electric floor brush	Common carpet floor, etc.	√	√
Flat suction nozzle	Gap, narrow place	√	√
Round brush	Tables and cabinets, etc	√	√
Cotton quilt brush	Bedding such as quilts	√	√
Dust cup cleaning brush	Dust cup cleaning	×	×

- Accessories can be installed on the main body and extension tube

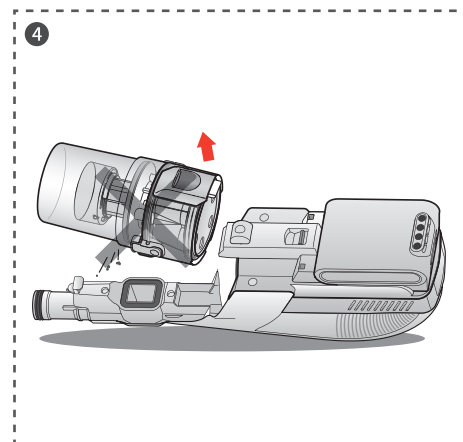
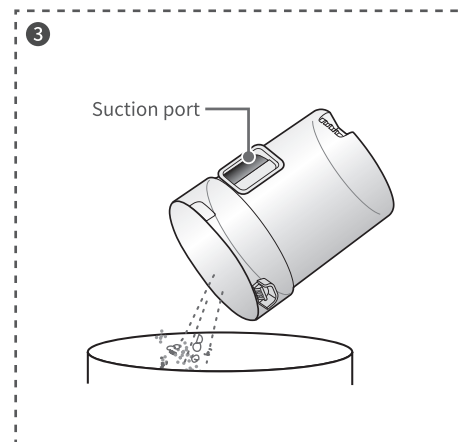
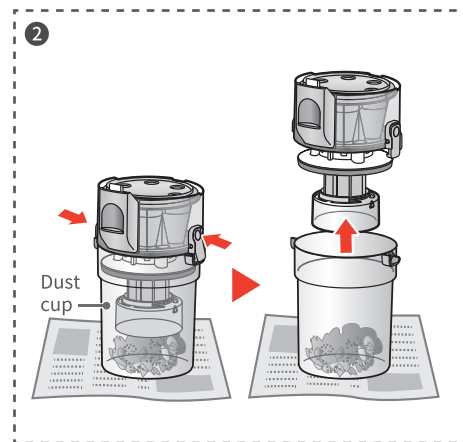
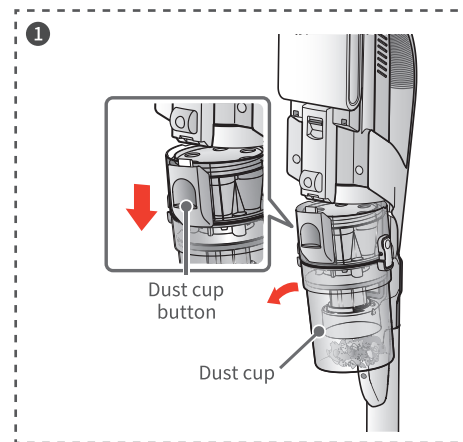


# Cleaning and maintenance

## Dust cup cleaning

To maintain suction force, clean up the garbage regularly after cleaning.

- 1 Take out the dust cup: Make the product in an upright state, and slide down the dust cup button to take it out.
- 2 Remove the dust cup: Rotate the dust cup counterclockwise and then remove it.
- 3 Dumping garbage: The suction port is facing up, aiming at the trash can (bag) to dump garbage.
- 4 Dust cup cleaning: Use the cleaning brush on the top cover of the dust cup to clean the attached garbage.



### Caution

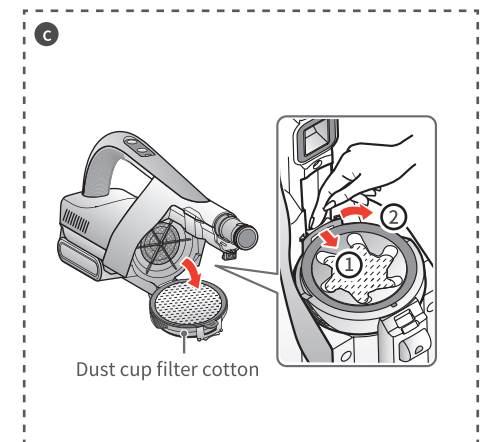
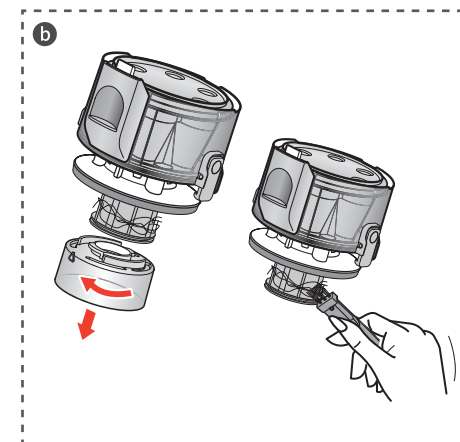
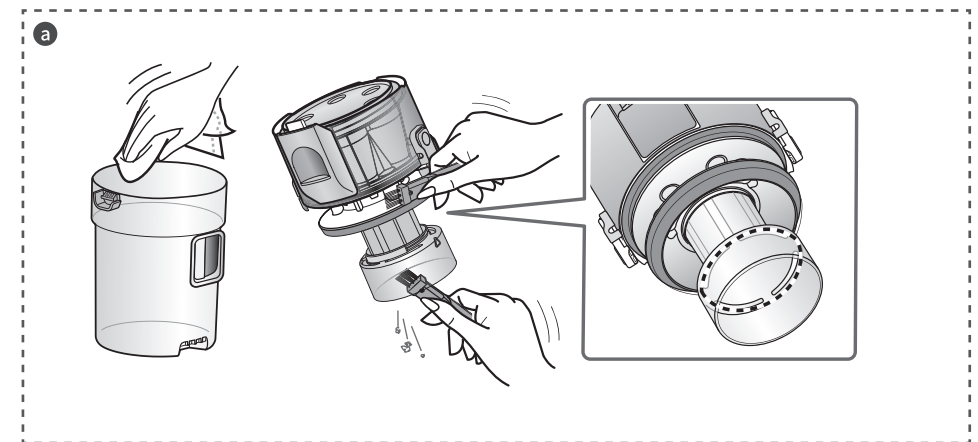
Do not take off the dust cup when the complete machine is placed horizontally, because garbage may fall.

# Cleaning and maintenance

## Dust cup assembly cleaning

If the suction force is still low after taking the above steps, wash the dust cup assembly and dust cup filter cotton and clean them with water.

- 1 Remove parts
  - a. Press the lock catch of the dust cup upper cover, and rotate the upper cover counterclockwise to remove it;
  - b. Remove the dust separator;
  - c. Remove the dust cup filter cotton assembly and take out the dust cup filter cotton.

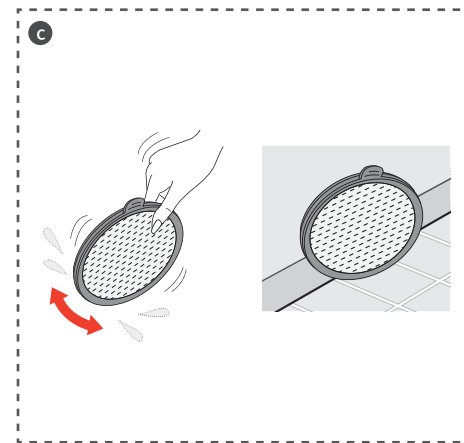
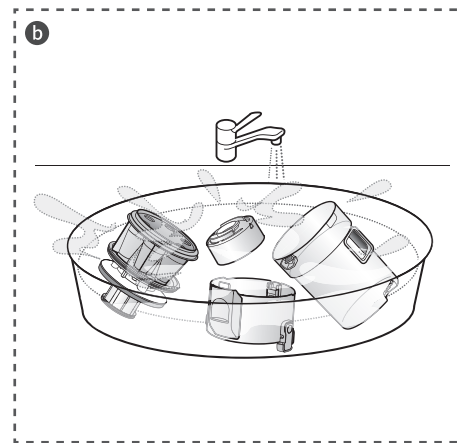
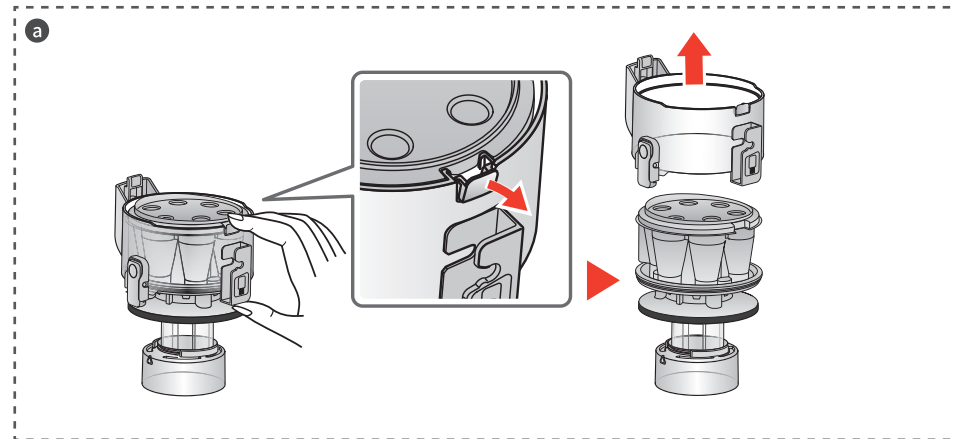


## Cleaning and maintenance

### Dust cup assembly cleaning

#### ② Cleaning with water

- Clean the separator; remove the garbage on the parts with net and the edge of the cup with a cleaning brush and wipe it with a wet cloth;
- Wash the parts with water;
- Dry the dust cup filter cotton until there is no water splash, and then dry it in a cool place.



#### ⚠ Caution

- Do not use detergent and other cleaning agents for cleaning;
- After washing, be sure to completely dry it before putting it back into use;
- Do not use a hair dryer for drying;
- Dust cup filter cotton is consumable. To replace it, contact Toshiba After-sales Department.

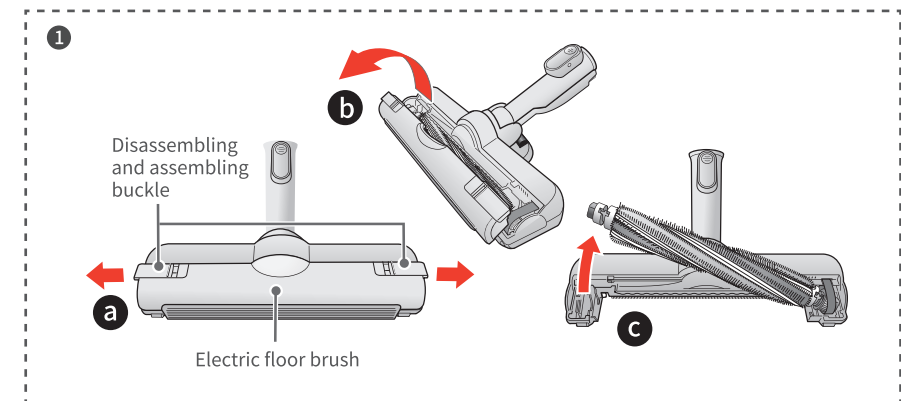
## Cleaning and maintenance

### Electric floor brush cleaning

When the roller brush and wheels are entangled or get dirty by garbage, please clean them.

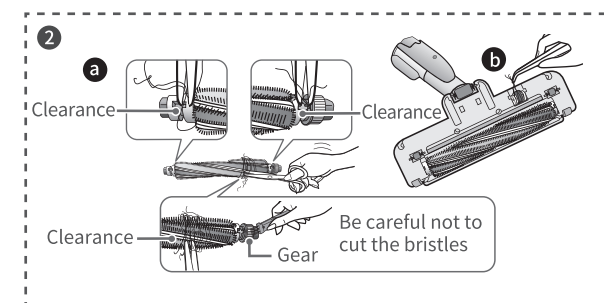
#### ① Removing floor brush

- Move the left and right disassembly buckles along the direction of the arrow;
- Remove the protective cover;
- Lift the roller brush.



#### ② Cleaning up garbage

- Cut and clean the garbage wrapped in the roller brush with scissors or blades;
- Take out the garbage wrapped around the wheel and automatic pause device with tweezers.



#### ⚠ Caution

- If the wind path is blocked by garbage, use disposable chopsticks to remove it;
- Except for the roller brush and cleaning cover, the rest cannot be washed with water;
- Do not oil both ends of the roller brush;
- Do not touch the roller brush or stand near the air outlet of the complete machine during operation;
- Cease to use the product if the felt of the wheel or electric brush is worn. To replace it, contact Toshiba After-sales Department .

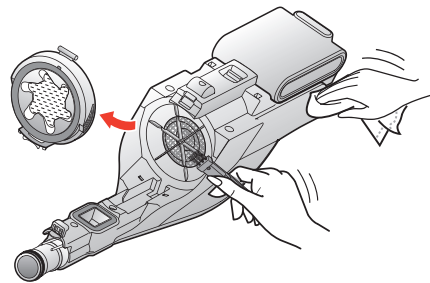


# Cleaning and maintenance

## Cleaning of other parts

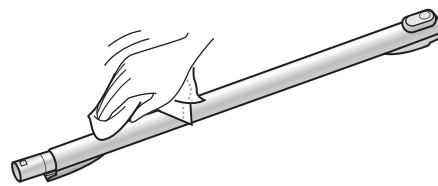
### 1 Main body

Wipe with a dry cloth. Remove the garbage attached to the net of the body with the cleaning brush provided along the product.



### 2 Extension tube

Wipe with a dry cloth.



### 3 Round brushes, flat suction nozzles

Wash and dry.



# Troubleshooting and specification

## Abnormality elimination

It is strictly forbidden to modify the product body or its accessories without permission, and to replace the power cord or battery without permission.



**Do not disassemble or repair this product unless they are carried out by professional maintenance technicians.**

In case of an abnormality during charging, pull out the power plug and reinsert it for charging after about 15 seconds.

When the abnormality persists or the operation process is abnormal, press "Mid/off" to stop the operation, and then check the following items.

Abnormality	Possible causes	Troubleshooting method
Not running or suddenly stop running	<ul style="list-style-type: none"> <li>- Low power</li> <li>- The power plug has just been unplugged, and it is in a protected state at this time</li> <li>- The filter screen of the dust cup is blocked</li> <li>- The ambient temperature is too high or too low</li> </ul>	<ul style="list-style-type: none"> <li>- Use after charging</li> <li>- Wait about 3s before running</li> <li>- Refer to the operation in P.6</li> <li>- Use in a suitable environment</li> </ul>
Electric floor brush The roller brush does not rotate	<ul style="list-style-type: none"> <li>- Energy saving pause function is enabled</li> <li>- Depending on the type of carpet (electric blanket, carpet with long pile or high fluff density), the roller brush may stop running</li> <li>- The roller brush is wrapped with a large number of threads or hairs</li> </ul>	<ul style="list-style-type: none"> <li>- Refer to the operation in P.6</li> <li>- Press "Mid/off" to stop running and start the vacuum cleaner again</li> <li>- Use after cleaning hair</li> </ul>
The indicator light is off /flashing when charging	<ul style="list-style-type: none"> <li>- Charging cable is not firmly connected</li> <li>- Charge immediately after the product stops running</li> </ul>	<ul style="list-style-type: none"> <li>- Reconnect the charging cable</li> <li>- To protect the circuit, wait patiently</li> </ul>
The charging time becomes longer	<ul style="list-style-type: none"> <li>- The ambient temperature is too high or too low</li> <li>- Charge immediately after use</li> </ul>	<ul style="list-style-type: none"> <li>- Please Charge in a suitable environment</li> <li>- To protect the circuit, wait patiently</li> </ul>
The suction force becomes weak during operation	<ul style="list-style-type: none"> <li>- Excessively high service temperature and continuous operation</li> <li>- Use the automatic mode</li> <li>- Continuous operation under the condition that the filter screen/ suction port is blocked</li> </ul>	<ul style="list-style-type: none"> <li>- Please charge in a suitable environment</li> <li>- Not an abnormality when the suction force becomes weaker due to less garbage detected</li> <li>- Use after cleaning</li> </ul>
The indicator light is blue	<ul style="list-style-type: none"> <li>- Continuous operation under the condition that the filter cotton is blocked</li> </ul>	<ul style="list-style-type: none"> <li>- Use after cleaning (Refer to the operation in P.11)</li> </ul>

# Troubleshooting and specification

## Product specifications

Battery	Rechargeable Li-ion Battery 18V $\equiv$ 2.2 Ah
Dust collection capacity	Approx. 0.13 L
Charging time	Approx. 2.5 h
Discharge time	High about 10min Mid about 25min Low about 35min (including electric floor brush) about 40min (excluding electric floor brush) (initial use of the battery, room temperature: 20 °C) *Depending on the material of the floor, the amount of garbage in the place to be cleaned and the service environment.
Charging input	100-240 V ~ 50-60 Hz 0.6 A
Charging output	20.2 V $\equiv$ 1.25 A
Power cord length	1.8 m

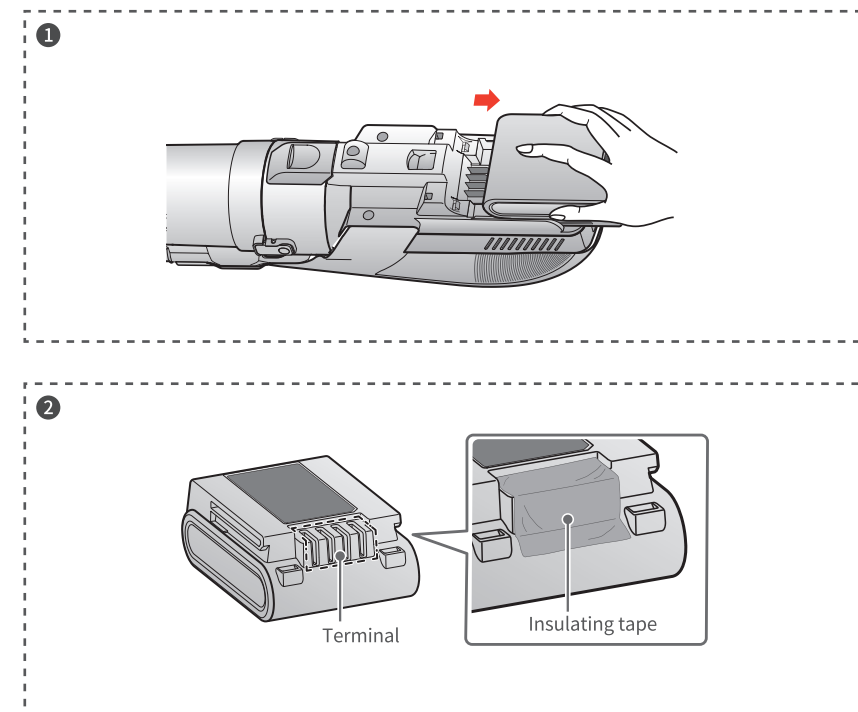
# Troubleshooting and specification

## Product disposal

Except for discarded products, it is strictly forbidden to disassemble batteries without permission to avoid danger. It is strictly forbidden to reuse the discarded battery. Follow the following steps strictly when you are to discard the product. Disassemble the battery after it runs out.



- 1 After discharging until it no longer runs, press the slider and hold it down to slide backward to take out the battery;
- 2 Cover the terminal with insulating tape.



- Recycling of batteries

Waste batteries are important resources. When discarding the product, please do not discard batteries at will.

Handle it properly according to government regulations.

To prevent short circuit, be sure to stick adhesive tape on the metal terminal for insulation treatment.