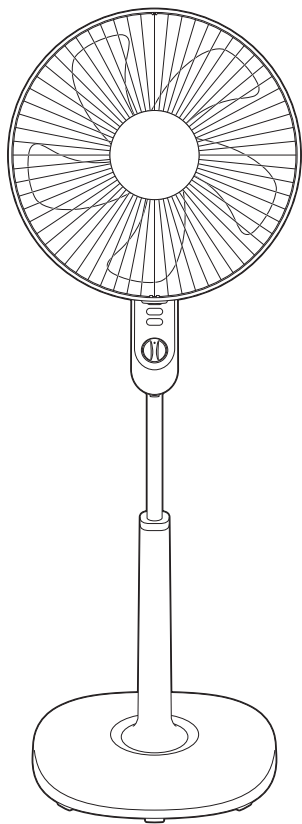


# TOSHIBA

## AC STAND FAN

# F-LSA10MY



## CONTENTS

IMPORTANT SAFETY INSTRUCTIONS.....	2-5
INSTALLATION.....	6-7
CONTROL PANEL.....	8
OPERATION.....	9
TURN ON/OFF.....	9
SPEED ADJUSTMENT.....	9
OSCILLATION.....	9
OFF TIMER.....	9
HOW TO PACK.....	10
SPECIFICATIONS.....	11
TROUBLE SHOOTING.....	12

English

**Thank you very much for purchasing Toshiba fan.**

- In order to use this fan correctly and safely, please carefully read this instruction manual to fully understand the content before using it.
- After reading the manual, keep it handy for easy reference.

# IMPORTANT SAFETY INSTRUCTIONS

## Safety precautions

### Always follow these instructions!

This manual provides instructions that must be observed when using the fan in order to prevent danger to the user, other persons, and property.

#### **WARNING**

Stop using the fan immediately in case of abnormal operation or failure.

(Risk of fire, electrical shock, or other injury)

Disconnect the power plug immediately and contact the store of purchase or the customer support center.

If the supply cord is damaged, it must be replaced by manufacturer, its service agent or a similarly qualified person in order to avoid a hazard.

This appliance is not intended for use by persons (including children) with reduced physical, sensory or mental capabilities, or lack of experience and knowledge, unless they have been given supervision or instruction concerning use of the appliance by a person responsible for their safety.

Young children should be supervised to ensure that they do not play with the appliance.

When the fan was assembled, the fan blade guard shall not be taken off anymore.

#### <Example abnormality or failure>

- The blades do not spin even after the power button is pressed.
- The blades spin but too slow or at an irregular speed.
- The blades make an abnormal noise when they spin.
- The motor or other operational part is abnormally hot or produces a burning smell.
- The fan periodically stops when the cord is moved.

## Operation and handling

● Do not operate the fan without the base attached. (Risk of injury due to the fan toppling)

● Do not operate the fan without the blades or guard attached. (Risk of injury)

● Do not clean the fan in its stand-up position. (Risk of injury due to the motor falling out as a result of accidentally)

● Do not spray flammable aerosols and the like or place aerosol cans nearby. Risk of fire or explosion if flammable aerosols or chemicals are placed nearby.

● Do not hold the handle to swing the fan. (Risk of breakage or injury)

● Do not pour water over the fan or immerse it in water. (Risk of short-circuit or electrical shock)

● Store the plastic bags for packaging out of reach of children. (Risk of suffocation if they cover the head)

● Do not disassemble, repair, or modify fan components.

(Risk of fire, electrical shock, or other injury)

For repairs, contact the store of purchase or the customer support center.

● When assembling the fan, properly tighten the fastening rings and the spinner.

● Follow the instruction manual when assembling or cleaning the fan. (Risk of injury due to parts becoming detached)

## Power plug or cord

- Use an AC 240 V power outlet. (Risk of fire or electrical shock)  
Do not use an extension cord or overload the electrical circuit.
- Be sure to fully insert the power plug into the outlet.  
(Risk of electrical shock or fire due to generation of heat)
- When disconnecting the power plug, always grasp the plug (Risk of fire, electrical shock, or short-circuit due to the cord breaking as a result of being pulled)
- If the blades of the power plug or the surface on which they are mounted are dusty, wipe them with a dry cloth.  
(Risk of fire due to insulation failure)
- Disconnect the power plug from the outlet when assembling, cleaning, or carrying the fan.  
(Risk of electrical shock or injury)
- In case of a thunder storm, turn the fan off and disconnect the power plug from the outlet.  
(Risk of fire, electrical shock, or failure)
- When the fan is not in use, disconnect the power plug from the outlet.  
(Risk of fire or electrical shock due to insulation deterioration)
- Do not use the fan if the power plug or cord is damaged or hot, or if the outlet is loose.  
(Risk of fire, electrical shock, injury, or short-circuit)
- Avoid damaging the power plug or cord. (Risk of fire, electrical shock, or short-circuit)
  - Do not modify.
  - Do not place close to heat-generating devices.
  - Do not subject to strain, place underneath heavy objects, or pinch.
  - Do not forcibly bend or twist or apply current when coiled.
- Do not place the cord under the base of the fan. (Risk of fire or electrical shock)
- Do not pull the cord when carrying or storing the fan.  
(Risk of fire or electrical shock due to short-circuit or damage to the cord)
- Do not use the fan while the cord is under tension.  
(Risk of fire or electrical shock due to short-circuit or damage to the cord)
- Do not use cable clips, nails, or the like to fix the cord in place.
- Do not handle the power plug with wet hands. (Risk of electrical shock, or other injury)
- Do not use within reach of children. (Risk of electrical shock or injury)

## CAUTION

### Operation and handling

- If the main body produces abnormal vibrations, stop using the fan immediately.  
(Risk of injury due to the blades or guard detaching and falling)
- Do not apply oil or other lubricants to the extension tube. (Risk of injury due to the tube suddenly slipping)
- Do not drag the fan. (Risk of rubber feet being broken off or damage to the floor)
- Do not adjust the height and wind direction (up/down or right/left) while the fan is operating. (Risk of injury)
- Do not use when parts such as blades or guard are damaged. (Risk of injury)
- Do not insert fingers or objects into the guard or any moving parts. (Risk of injury or failure)
- Keep hair and clothing away from the guard. (Risk of injury due to hair or clothing becoming caught)
- Disassemble the fan before transporting it. (Risk of breakage) When transporting the fan, store it in its box.
- Keep your eyes and face away from the motor shaft when assembling the fan. (Risk of injury due to contact with the edge of the shaft)
- Use only neutral kitchen detergents. (Risk of deterioration and discoloration of the resin, or injury due to cracking of the blades)

### Usage environment

- Do not use the fan in the following locations.  
(Risk of poisoning, electrical shock, or fire due to flame being extinguished, ignition or explosion, or short-circuit; risk of injury due to broken parts becoming detached and falling)
  - Locations with flames, such as near gas cookers
  - Locations where flammable gas may be present
  - Locations prone to wetness due to rain and splashing water
  - Locations subject to high temperatures (40° Celsius or more) or high humidity (e.g. bathrooms)
  - Locations subject to large amounts of oil, dust, or metal powder
  - Locations subject to direct sunlight
- Do not use the fan on unstable surfaces or near obstacles. (Risk of damage to the blades, personal injury, or material damage due to the fan falling)
- Avoid exposing your body to the wind from the fan for extended periods. (Risk of ill health)  
For sleeping children, elderly or ill people in particular, the fan should be used under the supervision of a family member or caregiver.

# IMPORTANT INFORMATION

---

## Operation and handling

- Only plug the fan into a standard indoor wall-socket.

Do not use the fan by connecting it to a DC-AC power transformer. Use of such devices may cause smoke or lead to a fire.

※ This refers to the typical type of outlet, not its location for example the wall, floor, or the ceiling.

- Do not force the guard back to the front-facing position.

Doing so may damage the fan. When the guard does not return to the front-facing position within the manual adjustment range for the wind direction, adjust the position by operating the fan in swing mode.

- Do not attach a protection net to the guard.

Such products may be sucked into the guard, which may cause damage to the blades or personal injury.

- After waxing a wooden floor, wait until the floor dries completely before placing the fan on it. Otherwise, it may leave undesired marks on the floor or cause the wax to peel off.

## Cleaning

- Dilute a neutral kitchen detergent with water in accordance with the instructions on its packaging.

- Wait for 30 minutes or more after using the fan before cleaning it to allow time for the motor shaft to cool down.

- Avoid subjecting the blades, guard, and other parts to strong shocks.

## Usage environment

- Do not use the fan near curtains or below clothes hanging to dry.

Such products may be sucked into the guard, which may cause damage to the blades or personal injury.

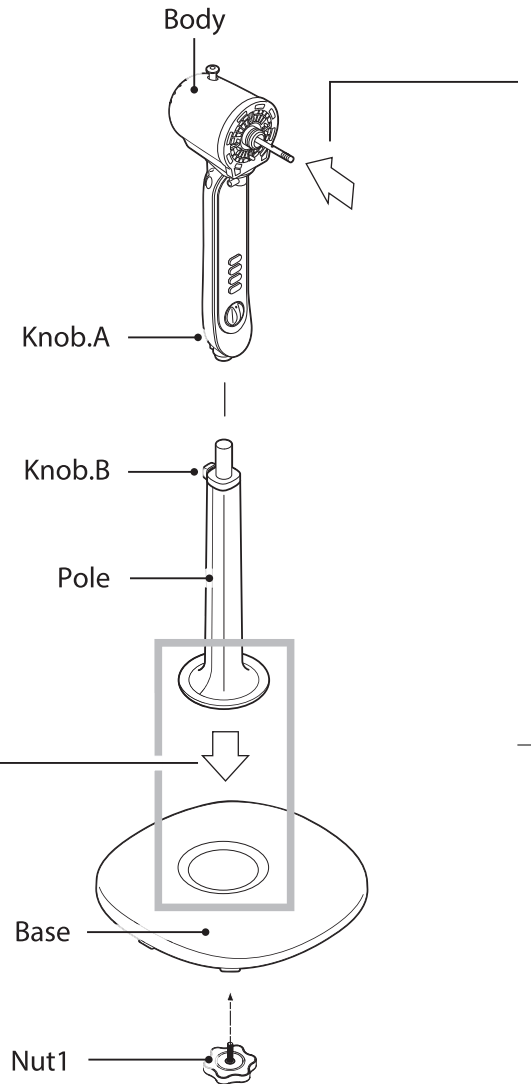
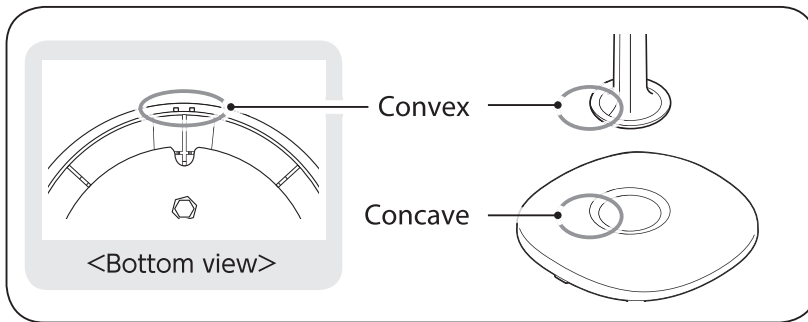
- Do not use the fan near a TV, radio, hearing aid, or other such devices.

Doing so may cause noise interference when radio waves are weak or an indoor antenna is used. Move these devices away until such effect ceases.

# INSTALLATION

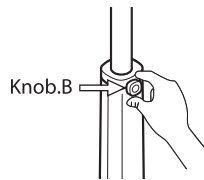
## Body Installation

- 1** Loosen Nut1 (counterclockwise) to remove it from Pole.
- 2** Attach Pole to Base by inserting the Convex into Concave.
- 3** Tighten Nut1 (clockwise) to fix Pole firmly on Base.
- 4** Loosen Knob.A (counterclockwise).
- 5** Tighten Knob.A (clockwise) firmly after inserting Pole.
- 6** Remove Spinner and Nut2 from Body.
- 7** Lock Rear Guard with Nut2 after attaching it to Body. (Refer to Fig. A)
- 8** Lock Blade with Spinner after attaching it to Body. (Refer to Fig. B)
- 9** Attach Front Guard to Rear Guard (Refer to Front Guard Installation)



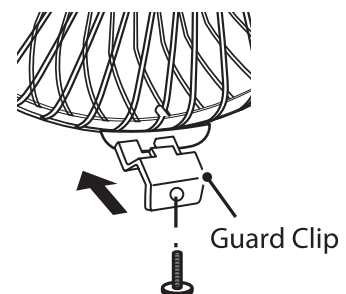
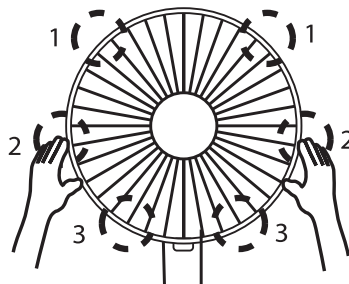
## Height Adjustment

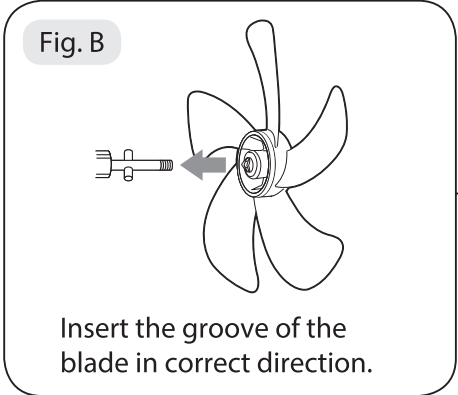
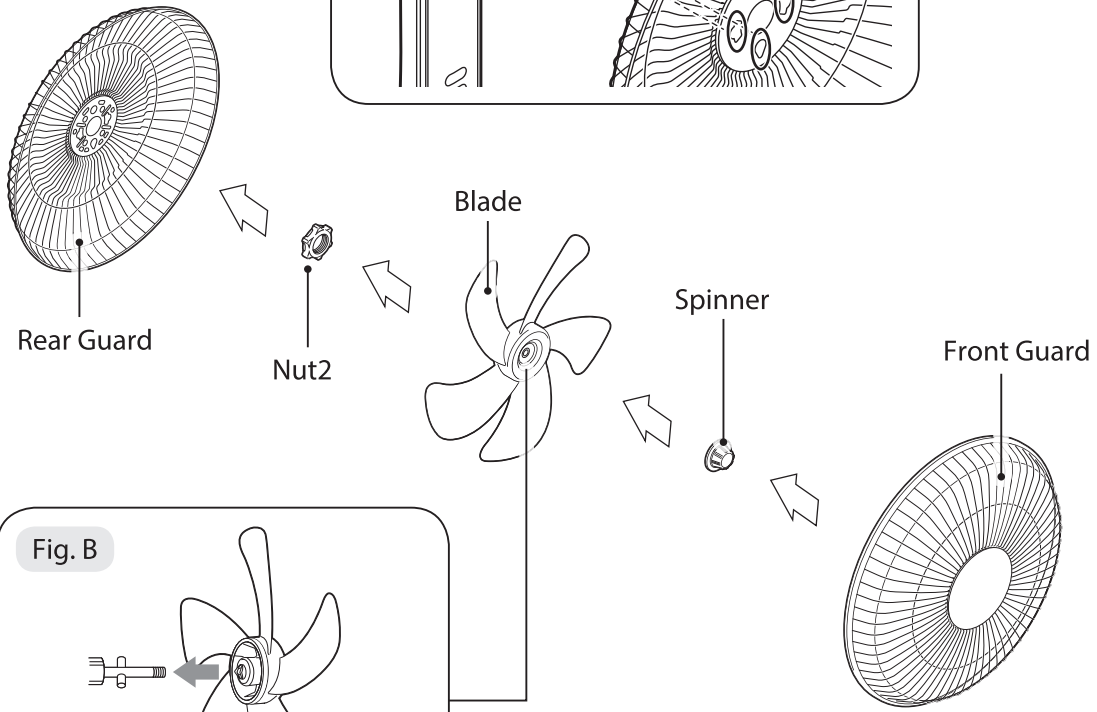
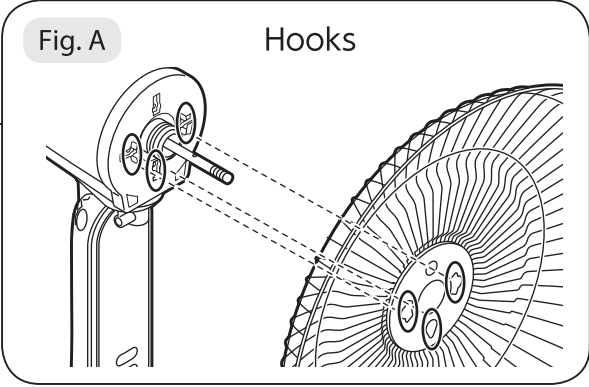
- 1** Loosen Knob.B (counterclockwise).
- 2** Adjust the height by lifting up the body.
- 3** Tighten Knob.B (clockwise) to lock.



## Front Guard Installation

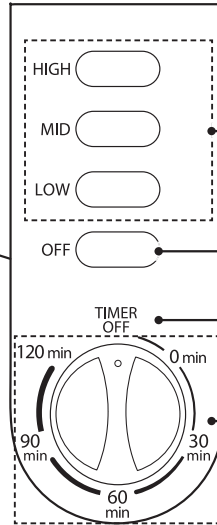
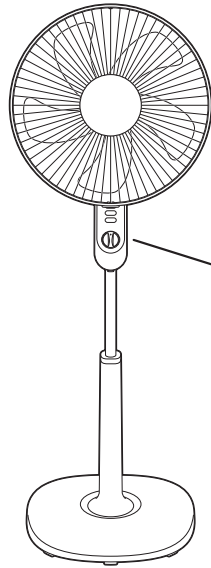
- 1** Align the hook of Front Guard with Rear Guard as shown below.
- 2** Press guards sequentially until clipping.
- 3** Fix the clip using screw after locking.





# CONTROL PANEL

## Body Control Panel



For wind speed adjustment

For turning off

For deactivating/  
activating the off timer

For timer setting



# OPERATION

## || TURN ON/OFF

TURN ON : Press "HIGH", "MID" or "LOW". Make sure the off timer is not activating.

TURN OFF : Press "OFF" button.

## || SPEED ADJUSTMENT

Press the button for speed adjustment.

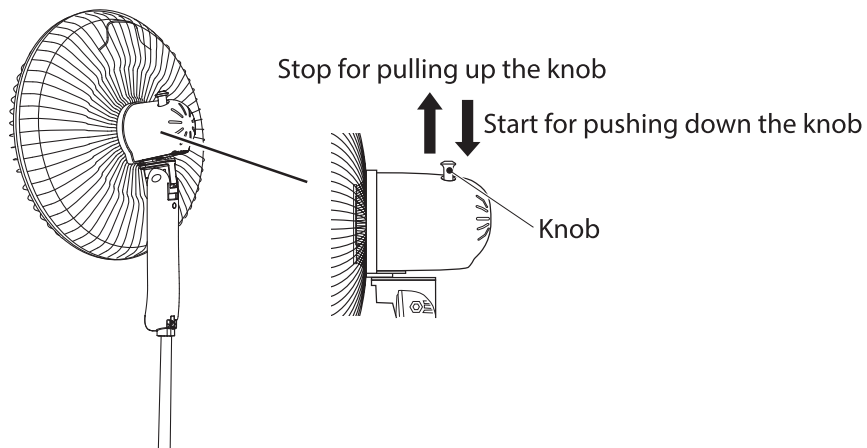
HIGH  High speed

MID  Middle speed

LOW  Low speed

## || OSCILLATION

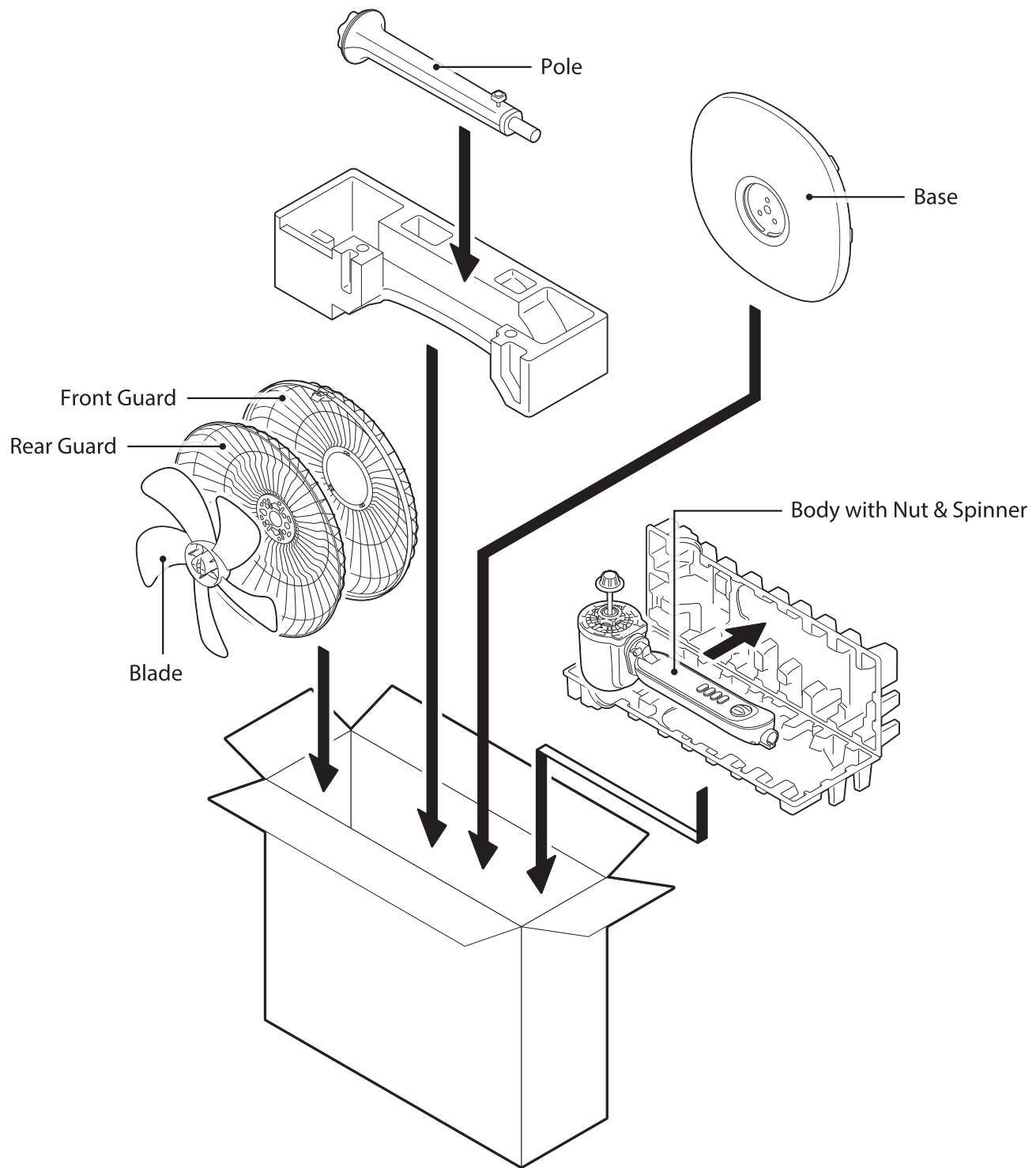
Pull up or push down the knob to stop or start the swing.



## || OFF TIMER

Turn the knob to your request time, the count of off timer will start.

# HOW TO PACK



# SPECIFICATIONS

<b>Model</b>	F-LSA10MY
<b>Rated Voltage</b>	220V-240V
<b>Rated Frequency</b>	50Hz
<b>Power Consumption</b>	50W
<b>Blade Diameter</b>	ø400mm
<b>Unit Dimensions</b>	W : 465mm D : 405mm H : 1140-1350mm
<b>Net Weight</b>	Approx. 7.2 kg
<b>Accessories</b>	—

# TROUBLE SHOOTING

In the case of any abnormality when using this fan, please check the following points before requesting repair.

Trouble	Check the following	Ref. page
<b>The blades do not spin.</b>	<ul style="list-style-type: none"><li>• Is the Fan blade installed properly?</li><li>• Is the power plug properly inserted into the outlet?</li><li>• Are any of the blades contacting guard?</li></ul>	7
<b>The blades spin but make a strange sound.</b>	<ul style="list-style-type: none"><li>• Is the spinner properly holding the blades in position?</li><li>• Are the front and rear guard sections properly mounted?</li><li>• Are any of the blades contacting guard?</li></ul>	7
	<ul style="list-style-type: none"><li>• Are the blades and guard clean?</li></ul>	-
<b>Operation is not normal after a power cut.</b>	<ul style="list-style-type: none"><li>• Disconnect the power plug and then reconnect it to the outlet.</li></ul>	-