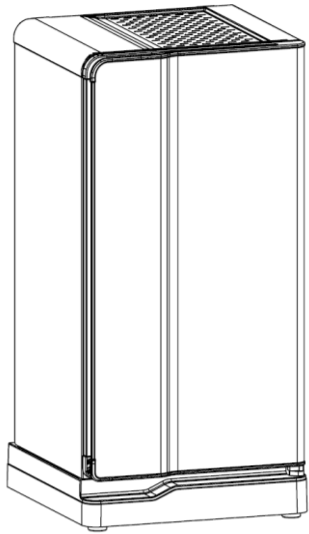




100% CFC FREE

MODEL

GR-S185



Thank you very much for choosing the Toshiba Refrigerator.
Please read this instruction for the correct and effective use of your Refrigerator.
Keep this Owner's Manual in a handy place for future reference.
Make sure that you received your warranty.

Manufacture: Thai Toshiba Electric Industries Co., Ltd.
Address : 129/1-5 Thasai, Muang, Nonthaburi 11000 THAILAND

IMPORTANT SAFETY INFORMATION

- 220-240V 50Hz POWER SUPPLY MUST BE USED WITH YOUR TOSHIBA REFRIGERATOR.
- USE A SPECIAL OUTLET FOR THE REFRIGERATOR. PLUGGING SEVERAL APPLIANCES INTO ONE OUTLET WILL CAUSE THE OUTLET TO HEAT AND MAY RESULT IN FIRE.
- DO NOT PLACED, USE, OR STORE BENZENE, ALCOHOL, ACID OR ANY KIND OF FLAMMABLE SUBSTANCE IN OR, NEAR THE REFRIGERATOR AS IT MAY CAUSE OF EXPLOSIONS.
- WHEN GAS LEAKAGE IS NEAR BY, DO NOT PULL OFF THE MAIN PLUG OR ADJUST THE TEMPERATURE CONTROL TO PREVENT ELECTRICAL SPARK THAT CAN CAUSE EXPLOSIONS.
- DO NOT SPILL WATER ON THE REFRIGERATOR TO PREVENT RUST AND ELECTRICAL LEAKAGE.
- IF THE POWER SUPPLY CORD IS DAMAGED, IT MUST BE REPLACED BY A REPAIR SHOP APPOINTED BY THE MANUFACTURER BECAUSE SPECIAL PURPOSE TOOLS ARE REQUIRED.
- CONNECT THE REFRIGERATOR TO GROUND TO PREVENT ELECTRICAL SHOCK.
- WHEN NOT USING REFRIGERATOR FOR A LONG TIME.
 - DISCONNECT THE POWER CORD AND CLEAN THE INSIDE OF THE REFRIGERATOR.
 - LEAVE THE DOOR OPEN FOR 2-3 DAYS TO DRY THE INSIDE OF THE REFRIGERATOR COMPLETELY.
- KEEP VENTILATION OPENING, IN THE APPLIANCE ENCLOSURE OR IN THE BUILT-IN STRUCTURE, CLEAR OF OBSTRUCTION.
- DO NOT DAMAGE THE REFRIGERANT CIRCUIT.
- DO NOT USE ELECTRICAL APPLIANCE INSIDE THE FOOD STORAGE COMPARTMENTS OF THE APPLIANCE, UNLESS THEY ARE OF TYPE RECOMMENDED BY THE MANUFACTURER.
- THIS APPLIANCE CAN BE USE BY CHILDREN AGED FROM 8 YEARS AND ABOVE, AND PERSON WITH REDUCED PHYSICAL, SENSORY OR MENTAL CAPABILITIES OR LACK OF EXPERIENCE AND KNOWLEDGE IF THEY HAVE BEEN GIVEN SUPERVISION OR INSTRUCTION CONCERNING USE OF THE APPLIANCE IN SAFE WAY AND UNDERSTAND THE HAZARDS INVOLVED
- CHILDREN SHALL NOT PLAY WITH THE APPLIANCE
- CLEANING AND USER MAINTENANCE SHALL NOT BE MADE BY CHILDREN WITHOUT SUPERVISION
- THIS APPLIANCE IS INTENDED TO BE USED IN HOUSEHOLD AND SIMILAR APPLICATIONS SUCH AS;
 - STAFF KITCHEN AREAS IN SHOPS, OFFICES AND OTHER WORKING ENVIRONMENTS.
 - FARM HOUSES AND BY CLIENTS IN HOTELS, MOTELS AND OTHER RESIDENTIAL TYPE ENVIRONMENTS.
 - BED AND BREAKFAST TYPE ENVIRONMENTS.
 - CATERING AND SIMILAR NON-RETAIL APPLICATIONS.
- STORE RAW MEAT AND FISH IN SUITABLE CONTAINERS IN THE REFRIGERATOR SO THAT IT IS NOT IN CONTACT WITH OR DRIP INTO OTHER FOOD

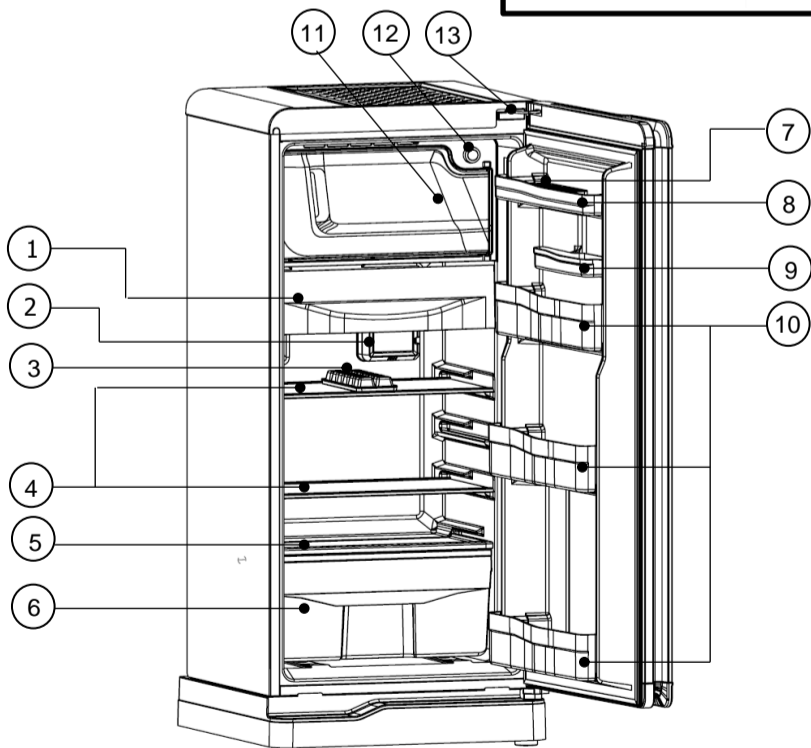


- 2 -

IDENTIFICATION AND FUNCTION OF PARTS

Applied for : GR-S185

EGG SUPPORTER CAN BE CHANGED TO STORE OTHER THINGS.

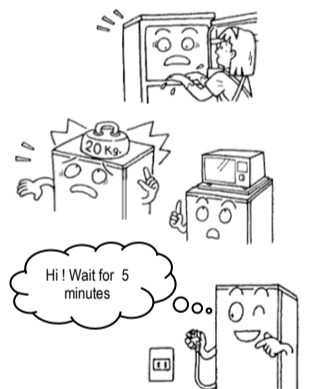


- | | |
|------------------|---|
| 1. MEAT PAN | 8. EGG POCKET |
| 2. SHADE | 9. TURN POCKET |
| 3. ICE TRAY | 10. BOTTLE POCKET |
| 4. GLASS SHELF | 11. EVAPORATOR DOOR |
| 5. LOWER SHELF | 12. TEMPERATURE CONTROL DIAL & DEFROST BUTTON |
| 6. CRISPER | 13. UPPER HINGE COVER |
| 7. EGG SUPPORTER | |

Note : SPECIFICATIONS ARE SUBJECTED TO CHANGE WITHOUT NOTICE.

CAUTION

- DO NOT TOUCH AN EVAPORATOR SURFACE, FOOD, OR METAL CONTAINERS INSIDE AN EVAPORATOR WITH WET HANDS. BECAUSE OF LOW TEMPERATURE, YOUR HANDS MAY FREEZE TO THE ARTICLE YOU TOUCH.
- DO NOT PLACE ANY HOT TEMPERATURE MORE THAN 60° C OR WEIGHT OF MORE THAN 20 Kg. ON THE TABLE BOARD OR TOP OF REFRIGERATOR.
- PULL OFF THE PLUG IMMEDIATELY AFTER ELECTRICAL FAILURE OR AFTER REMOVING THE PLUG FROM THE OUTLET. WAIT AT LEAST 5 MINUTES BEFORE RE-INSERTING IT, OTHERWISE THE COMPRESSOR MIGHT BE DAMAGED.



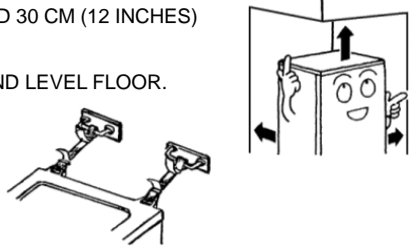
Warning : Risk of fire / flammable materials.
This appliance contains flammable refrigerant
R600a : iso-butane

CAUTION

- IN CASE OF COOLING SYSTEM WAS DAMAGE, OR REFRIGERANT LEAK.
1. DO NOT TAKE OFF AN ELECTRIC PLUG
 2. KEEP VENTILATION OPENNING, SUCH AS OPEN THE DOOR AND WINDOW.
 3. AVOID TO USE AN ELECTRIC APPLIANCES THAT MAKE ELECTRICAL SPARK.

INSTALLATION

- ALLOW AT LEAST 10 CM (4 INCHES) FROM SIDES AND 30 CM (12 INCHES) VERTICALLY FOR PROPER AIR CIRCULATION.
- INSTALL TOSHIBA REFRIGERATOR ON A STRONG AND LEVEL FLOOR.
- TO PROTECT THE REFRIGERATOR FALL DOWN WHEN OPENING THE REFRIGERATOR DOOR. USE SOME INSTRUMENT TO HOOK AT THE HOLE OF BACK SIDE AS PICTURE.



LOCATION

- INSTALL TOSHIBA REFRIGERATOR AWAY FROM HEAT, WET AND DAMP AREAS.
- DO NOT INSTALL CLOSE TO A SINK OR CLEANING MACHINES THAT MIGHT DAMAGE THE REFRIGERATOR BY CAUSING RUST AND ELECTRICAL LEAKAGE.
- KEEP THE REFRIGERATOR AWAY FROM SUNLIGHT OR HEAT EMITTING OBJECTS. THE REFRIGERATOR WILL HAVE ITS COOLING EFFECT REDUCED AND A FAILURE MIGHT BE CAUSED.



WARNING

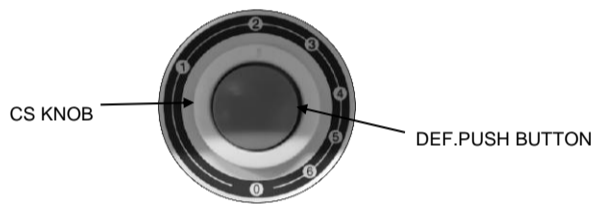
- WHEN POSITIONING THE APPLIANCE, ENSURE THE SUPPLY CORD IS NOT TRAPPED OR DAMAGED
- DO NOT LOCATE MULTIPLE PORTABLE SOCKET-OUTLETS OR PORTABLE POWER SUPPLIES AT THE REAR OF THE APPLIANCE

HOW TO USE THE REFRIGERATOR

TEMPERATURE CONTROLS

NORMALLY, WE SET THE CS KNOB AT COOLING LEVEL 3-4. BUT YOU CAN SELECT A COOLING LEVEL AS YOU PREFER.

COOLING LEVEL	0 (OFF)	1 - 2	3 - 4	5 - MAX.
INSIDE TEMPERATURE	TURN OFF	LOW COOL	NORMAL COOL	HIGH COOL



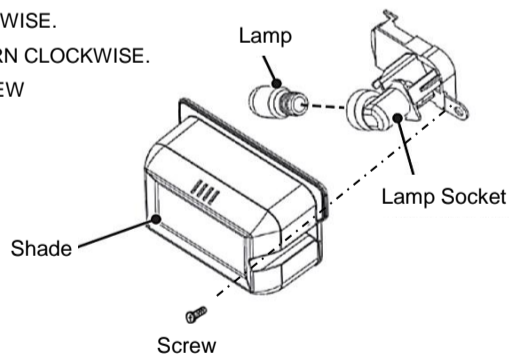
- 5 -

HOW TO REPLACE LAMP

CAUTION

- (1) BEFORE TAKING OFF LAMP NEED TO TAKE OFF ELECTRICAL PLUG FIRSTLY
- (2) KEEP TIGHTEN WHEN MONTING WITH LAMP SOCKET, BECAUSE THIS REFRIGERATOR CONTAINS REFRIGERANT IS R600a, WHICH IS FLAMABLE MATERIAL
- (3) PLEASE BE CAREFUL WHEN YOU TOUCH LAMP, IT WILL BE HIGH TEMPERATURE
- (4) PLEASE DON'T USE REFRIGERATOR WITHOUT LAMP OR REPLACEMENT NOT COMPLETE

- USE A SCREWDRIVER TO TAKE OFF SCREW FIXED A SHADE TAKE SHADE OUT BY SLIDING TO THE RIGHT AND PULL UP
- TAKE LAMP OFF BY TURN COUNTERCLOCKWISE.
- REPLACE A NEW LAMP (E14 / 15 W) BY TURN CLOCKWISE.
- RE-ASSEMBLY AND FIXING SHADE BY SCREW



MOVING METHOD

MUST TAKE OFF AN ELECTRICAL PLUG BEFORE MOVE

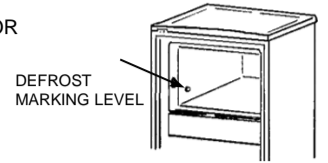
- FIRSTLY, REMOVE FOOD OR ITEMS THAT KEEP INSIDE
- SHOULD BE DRAIN OUT WATER IN DRAIN PAN BACK AND CLEAN UP
- TAKE OFF AN INTERIOR PART OR USE TAPE STICK TO FIX POSITIOPN BEFORE MOVE
- USE TAPE STICK AT DOOR AND CABINET TO PREVENT DOOR OPEN WHILE MOVING
- SHOULD BE MOVING THE REFRIGERATOR BY 2 PERSONS
- DO NOT LAY THE REFRIGERATOR ON ITS SIDES
- HOLD THE REFRIGERATOR AT BOTTOM SIDE, WHEN MOVING IT

- 7 -

HOW TO USE THE REFRIGERATOR

DEFROSTING METHOD

WHEN AN ICE COVERING THE INSIDE OF AN EVAPORATOR IS THICKER THAN 5-10 MM OR THE DEFROST MARKING LEVEL (AS PICTURE), FOLLOW THESE INSTRUCTIONS.



FIRST STEP

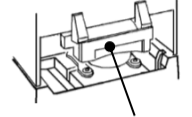
STORED FOODS SHOULD BE BRING OUT FROM INSIDE THE EVAPORATOR. PERISHABLE FOODS SHOULD BE STORED IN COOL PLACE.

SECOND STEP

PRESS THE DEFROST BUTTON FOR AN IMMEDIATE CUT OFF THE COOLING SYSTEM. WATER FROM MELTING ICE WILL BE CONTAINED IN A DRAIN PAN. WHEN DEFROSTING PROCESS IS COMPLETED, THE COOLING SYSTEM WILL AUTOMATICALLY RE-START.

THIRD STEP

THE WATER FROM DEFROSTING PROCESS WILL DROP TO THE DRAIN PAN AT BACK SIDE OF REFRIGERATOR AND WATER WILL EVAPORATION IS AUTOMATIC.



DRAIN PAN BACK

DISCONTINUE OF DEFROST PROCESS

SIMPLY TURN KNOB TO NORMAL POSITION OR YOUR PREFER COOLING, OR PULL BACK THE DEFROST BUTTON AS MENTIONED MODEL. BUT, MAKE SURE TO ALLOW AT LEAST 5 MINUTES AFTER THE DEFROST START.

CAUTION

- DO NOT USE HOT WATER OR SHARP-END TOOLS TO GET RID OF ICE COVERING THE EVAPORATOR. WE WOULD NOT BE RESPONSIBLE FOR THE CLAIMS, IF THIS KIND OF INCIDENT OCCUR.
- LEAVE ROOM BETWEEN CONTAINERS AND FOODS. OVERLOADING THE REFRIGERATOR WILL DECREASE THE COOLING EFFICIENCY.
- COOLING HOT DISHES TO ROOM TEMPERATURE BEFORE PLACING IN REFRIGERATOR.
- DO NOT KEEP THE DOOR OPEN ANY LONGER THAN NECESSARY, TO PREVENT COOLING EFFICIENCY DECREASE.

- 6 -

ANNUALLY CLEANING

OUTSIDE AND INTERIOR PARTS OF REFRIGERATOR

- IF THERE IS DIRTY POSITION, USING WARM WATER AND CLOTH TO CLEAN IT OUT. BUT IF IT TOO STRONG. MIX WARM WATER WITH A FEW OF SOPE TO CLEAN IT OUT THEN FOLLOW BY CLEAN COLTH. ON THE HANDLE, USE A DRY CLOTH TO CLEAN.
- SHOULD CLEAN THE FREEZER COMPARTMENT EVERYTIME WHEN YOU DEFROSTED.

DOOR GASKET

- AT LEAST 2 WEEKS FOR CLEANING, USING SOFT BRUSH AND WARM WATER CLEAN IF SOFTLY FOLLOW BY SOFT AND CLEAN CLOTH.

CAUTION

- BEFORE CLEANING THE REFRIGERATOR, MUST BE TAKE OUT AN ELECTRIC PLUG
- DO NOT USE BRUSHES, ACIDS, CHEMICAL, AND THINNER FOR CLEANING OF REFRIGERATOR.
- FOR CLEANING THE CONTROL BOX SHOULD BE USE A SOFT DRY CLOTH. DO NOT CLEAN IT WITH WATER MAY CAUSE AN ELECTRIC SHOCK.

DISPOSE THE REFRIGERATOR

- THIS REFRIGERATOR IS CYCLOPENTENE INSULATION AND REFRIGERANT IS R600a SHOUL BE KEPT AWAY FROM HEAT OR FLAME WHEN IT ISN'T PROPERLY USED.
- WHEN YOU WANT TO DISPOSE THIS FRIDGE MUST TAKE OFF THE DOOR OR REMOVE GASKET FROM THE DOOR FIRSTLY.
- DISPOSAL OF REFRIGERATOR SHALL BE DONE IN ACCORDANCE WITH THE NATIONAL OR LOCAL REGULATIONS. MORE DETAILS PLEASE CONTACT YOUR LOCAL CITY OFFICE OR YOUR HOUSEHOLD WASTE DISPOSAL SERVICE.
- PLEASE CONTACT WITH ENVIRONMENTAL PROTECTION UNIT TO DEAL WITH DISCARD CYCLOPENTANE INSULATION AND R600a REFRIGERANT