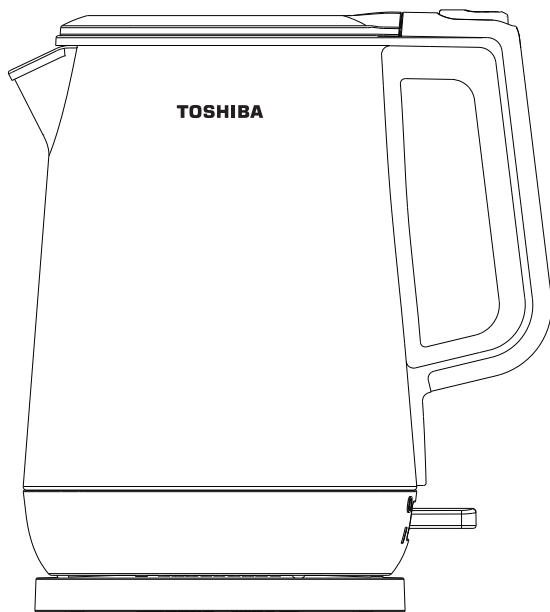


# TOSHIBA

## ELECTRIC JUG KETTLE

### USER MANUAL

MODEL: KT-17DR1NMY



Please read the manual carefully before operating your product.  
Retain it for future reference.

## SAFETY GUIDE

**Please follow all the safety precautions listed below for safety and to reduce the risk of injury or electrical shock.**

- Do not touch the body of the kettle when it is hot. Always hold the appliance by the handle when using it.
- Always ensure the lid is closed when in use. Failure to close the lid will prevent the thermostat from switching off and cause the kettle to boil dry.
- Keep the appliance well away from hot surfaces, and objects that can be damaged by heat.
- Ensure there is at least 20 cm space left to operate the kettle and that steam can escape safely. Never use the kettle under a cupboard or shelf where the steam may damage the surface.
- Avoid contact with the steam from the spout when the water is boiling or just after it has switched off.
- Be careful when opening the lid for re-filling when the kettle is hot.
- Ensure that the kettle cannot fall into water.
- Do not fill or pour water from the kettle while it is on the base.
- Disconnect the kettle at the mains supply before filling or emptying the jug, before cleaning any of its components, and when it is not in use.
- Do not immerse the connecting cord in water or other liquids.
- Do not allow liquids to come into contact with the body connector of the kettle, its base or the connecting cord.
- Do not let the connecting cord overhang the edge of the work surface or allow it to touch hot surfaces or sources of heat or flame.
- If any part of this appliance is damaged or malfunctioned in any way, or the connecting cord or mains plug is broken, do not continue to use it. Seek expert assistance.

## SAFETY GUIDE

- This appliance is not intended for use by young children or infirmed persons unless they have been adequately supervised by a responsible person to ensure they can use the appliance safely.
- This appliance is not intended for use by persons (including children below 8 years old) with reduced physical, sensory or mental capabilities, or lack of experience and knowledge, unless they have been given supervision or instruction concerning use of the appliance by a person responsible for their safety.
- Children should be supervised to ensure that they do not play with appliance.
- Cleaning and user maintenance shall not be performed by children unless they are older than 8 years old and be supervised.
- Keep the appliance and its cord out of reach for children less than 8 years old.



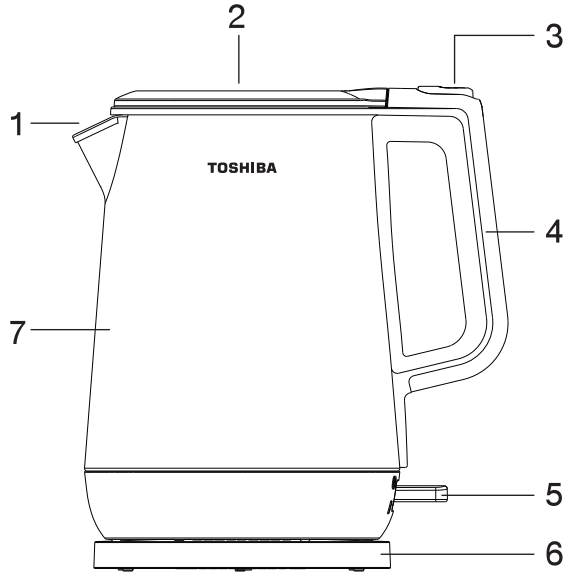
**WARNING: Some accessible surfaces may be hot during operation of this appliance**

### CAUTIONS

- Do not place the power base unit on a metal tray or metal surface when plugged into power source.
- This appliance is for indoor domestic use only. Do not use it at outdoor.
- This kettle jug and power base form an integral appliance. Do not use other kettle jugs with this power base, or this kettle jug with other base.
- The switch on this appliance must be readily operable at anytimes. Do not hinder its operation by incorrect placement or by placing obstacles that may restrict its free movement.

## ABOUT YOUR KETTLE

- 1: Spout
- 2: Kettle Lid
- 3: Lid Release
- 4: Handle
- 5: ON/OFF Switch
- 6: Kettle Base
- 7: Kettle Jug



## USING YOUR KETTLE

### PRELIMINARIES

Unpack your kettle and any accessories carefully. Retain the packaging so that you can transport the appliance safely. If you dispose of it please do so with regard to any recycling regulations in your area.

**Before using your kettle:** Check that the voltage marked on the rating plate under the kettle or the base matches your mains voltage. Please read all the instructions in this User Guide with particular reference to the safety notes.

### OPERATION

- Separate the kettle from the base. Ensure that the mains socket is switched off at the wall. Lead the power cord out through the recess in the base. Place the kettle base on a stable level surface and connect the power cord to the wall socket. Excess cord may be safely stowed by feeding it carefully into the stowage compartment in the base. Ensure the power cable exits the cut out slot otherwise the kettle base will not be stable.
- Pour away previously boiled water.
- Push the lid release button to lift up the lid.
- Fill the kettle with fresh water. The MIN and MAX marks are located on the water scale . The water level must always cover the MIN (0.5 litres) mark . Do NOT fill the kettle above the MAX mark (1.7 litres) , or boiling water may be ejected.
- Close the lid, place the filled kettle correctly on the power base.

### How to Boil Water

- Switch on the power at the wall socket.
- The kettle ON/OFF switch is located below the handle. Press

## USING YOUR KETTLE

the switch down to switch the kettle on.

- The switch will illuminate showing the kettle is operational.
- When the water has reached the correct temperature, the kettle will switch off.
- You can stop the boiling at anytime by lifting the switch up. To re-boil, press the switch again. If the water is very hot, it may be necessary to wait until the switch resets.
- Always ensure the lid is tightly fitted and never lift it while the kettle is boiling or you run the risk of scalding. If the lid is not correctly fitted while boiling, the automatic cut-out will not operate, you may boil the kettle dry and cause damage due to excessive steam emissions.
- After boiling, switch off the appliance at the mains. The kettle may now be safely removed from its base and the boiled water poured out. Always take care to pour boiling water slowly and carefully without tipping the kettle too quickly.
- Never leave hot water in the kettle while it is unattended.
- After use, replace the kettle on its base.

### **Before first use or after storage:**

Fill the kettle with fresh water. Boil the water. Pour away the boiled water. Repeat this two or three times. The kettle is now ready for use.

## **SAFETY AND OTHER FEATURES**

### **Removable Scale Filter**

The filter traps scale. If you fill the kettle via the spout, the effectiveness of this filter will be reduced.

## USING YOUR KETTLE

### **Boil Switch with Auto Cut-Out**

When boiling water, do NOT hold the switch down or steam will be ejected from the lid and you may damage the automatic switch off mechanism. Always ensure that the ON/OFF switch is clear of obstructions, readily operable and is not prevented from switching off.

### **Boil Dry Protection**

Your kettle is fitted with a safety device which switches it off if the appliance is operated with insufficient water. If this occurs, the kettle should be switched off at the mains and allowed to cool thoroughly before refilling with cold water. The safety device will then reset.

### **Overheating Shut -Off**

In the event of gross overheating, your kettle will automatically shut down to prevent further damage.

Should this occur, take it to a qualified service person for examination and repair.

## **CLEANING**

- ▶ To prolong the kettle's lifespan, please clean the mineral deposits in the kettle regularly.
- ▶ Always unplug from the plug socket and allow to cool down before cleaning.
- ▶ Do not use chemical, steel wool, or abrasive cleaners to clean the outside of the kettle, as these will scratch the surface and fade the outside color.

Cleaning methods:

- Fill the kettle with 0.5L white vinegar and the remainder with water and allow

## USING YOUR KETTLE

to stand for over 1 hours;

- Empty the solution from the kettle. Wipe off the deposits remained with damp cloth;
- Fill the kettle with clean water, bring to boil and then discard the water. Repeat and the kettle will be ready to use;
- If necessary, repeat the operations above for several times;
- The surface of the kettle may be wiped over with a damp cloth and polished with a soft dry cloth;
- Grasp the top of the scale filter and pull upwards to remove. Wash with clean water and dry thoroughly before replacing in the kettle.

## STORAGE

Excess cord can be stowed by feeding the cord into the storage cavity in the base of the unit. When not in use, the kettle should be stored on its base out of the reach of children and pets.

Model No.	Rated voltage	Rated power	Capacity	Weight
KT-17DR1NMY	220-240V~ 50/60Hz	1800-2150W	1.7L	1.22kg

**THIS APPLIANCE MUST BE EARTHED**

**THIS APPLIANCE MUST BE ATTENDED AT ALL  
TIMES WHEN OPERATIONAL**