

重点 校对项

- 1. 物料编码
- 2. 版面尺寸
- 3. 材质标注
- 4. 颜色标注
- 5. 客户型号
- 6. 产品名称
- 7. 产品参数
- 8. 电压功率
- 9. 单位符号
- 10. 认证标志
- 11. 回型标志
- 12. ROHS标志
- 13. 警语警语及字高
- 14. 控制面板及功能
- 15. 目录及页码

	1	2	3	4	5	6
A	项目					
	库					
B	文件名					
C	<div style="border: 1px solid black; padding: 20px; display: flex; justify-content: space-between; align-items: center;"> <div style="text-align: center;"> <p>#DetailsMatter</p> <p>USER MANUAL</p> <p>Multi Cooker HC-14KSSSG(K)</p> <p>TOSHIBA</p> </div> <div style="text-align: right;"> </div> </div>					
D	技术要求(版本号:B, 2020-01)					
E	<p>1. 文字图案印刷颜色为：封面+封底4色+1专色，内页单黑色，印刷字体需清晰可见，文字不能粘到一起；</p> <p>2. 该说明书的幅面大小为：A5，未注直线尺寸公差应符合GB/T1804-v；</p> <p>3. 该说明书的装订方式为：钉装；[70P以下为钉装，70P以上为胶装（特殊要求除外）]</p> <p>4. 说明书警语及认证标志应满足CE/UL标准，CE：警语部分大写字母高度不低于3mm，CE标志不低于5mm，WEEE标志不低于7mm；UL：大写字母字高不小于1/12”（2.11mm），小写字母字高不小于1/16”（1.6mm），“IMPORTANT SAFEGUARDS”，“SAVE THESE INSTRUCTIONS”等词，其字高不小于3/16”（4.8mm），IMPORTANT SAFEGUARDS 必须在最前面。</p> <p>5. 产品应符合QMG-J53.021《产品说明书技术条件》的有关要求。</p> <p>6. 有ROHS指令要求的物料应符合美的的企业标准QML-J11.006《产品中限制使用有害物质的技术标准》。</p>					
F	MIDEA-编码					
G					多功能锅 MC-DH3020B2/HC-14KSSSG (K)	
H					说明书 材料:双铜纸 105克	
	标记	处数	更改文件号	签字	日期	
	制图	麦影涛	审核	卢灿飞	图样标记	重量 比例
	设计	-----	标准化	古广君	K	/ 1:1
	校对	-----	审定	古广君	广东美的生活电器制造有限公司	
	会签	-----	日期	20221123		
	1	2	3	4	5	6

#DetailsMatter



USER MANUAL

Multi Cooker
HC-14KSSSG(K)

TOSHIBA

Safety precautions

For the sake of safety, please be sure to observe it



Notice

Aims to avoid the injury, scald, electric shock, electric leakage, fire and house loss



Tips

In order to avoid injury and property damage to you and others, the following safety precautions must be observed. Misuse without abiding by safety warnings may bring about accidents.



Notice

The following conditions have not been taken into the considerations of the product:

- The product is used by unattended children and the handicapped
- The children play the product

⊘ Refer to [forbidden]

- Do not insert pins, iron wires or other items into the holes at the bottom of the product to avoid electric shock and injury.
- Do not insert or pull the plug with wet hands to avoid electric shock and injury.
- Do not use the damaged power supply cable plug, so as to avoid fire, electric shock or short circuit.
- Children are not allowed to use the product alone. Put products in places that infants and young children cannot reach, in order to avoid electric shock, scald and other dangerous accidents.
- After use, please cut off the power supply and clean the dirt inside and outside timely, but do not put the product into water or wash with water, in case the insulation performance of the product is damaged.
- It is forbidden to move or shake the product during working.
- Do not modify the product: Except for the maintenance technicians, no one shall disassemble or repair the product, so as to avoid the fire, electric shock or injury.
- Do not use the products in the following ways in case a fire or electric shock is caused due to the damage to the power supply cable: Do not bend the power supply cable forcibly, or make it close to the high temperatures, or bind or bear heavy objects.
- Do not put the product in a position which is unstable, damp or near to other fire and heat source to avoid damage and accidents.
- For product maintenance or replacement of parts, please go to the professional service outlets designated by Midea. So as to avoid the potential safety hazard due to improper maintenance or accessories.
- Do not operate the product as it is connected to an external timer or a separate remote control system.
- If the power cord is damaged, replace it with special flexible cord or special assembly purchased from the Midea manufacturer or maintenance department.
- The surfaces of the product may become hot during the operation and lead to high temperature. Do not touch the hot tray and the surface of the product to avoid scalding.



Notice

Aims to avoid the injury, scald, electric shock, electric leakage, fire and house loss

🔔 Refer to [mandatory]

- This product is only for indoor use.
- The socket with the grounding wire and rated current of above 10A should be independently used. If it is used together with other electrical appliances, the socket may be abnormal and cause a fire.
- Do not use it for voltages other than AC 220-240V in case of fire and electric shock. Do not use the power supply cable if it is damaged.
- Do not disassemble for repairing or remove the cover with power by yourself. The failed products must be sent to the designated service point for repair.
- The plug should be fully plugged into the power outlet in case of fire, electric shock and short circuit.
- If there are dust or water marks on the power supply cable plug, tail plug and product socket, please clean it in time in case of fire, electric shock or short circuit.

⚠️ Refer to [Warnings] the issues that can cause casualties

- When the soup and food overflow, please wipe them in time. Do not let the soup and food flow into the product to avoid affecting the normal operation of the product.

⚠️ Refer to [Attention] items that may cause minor injuries or property damage

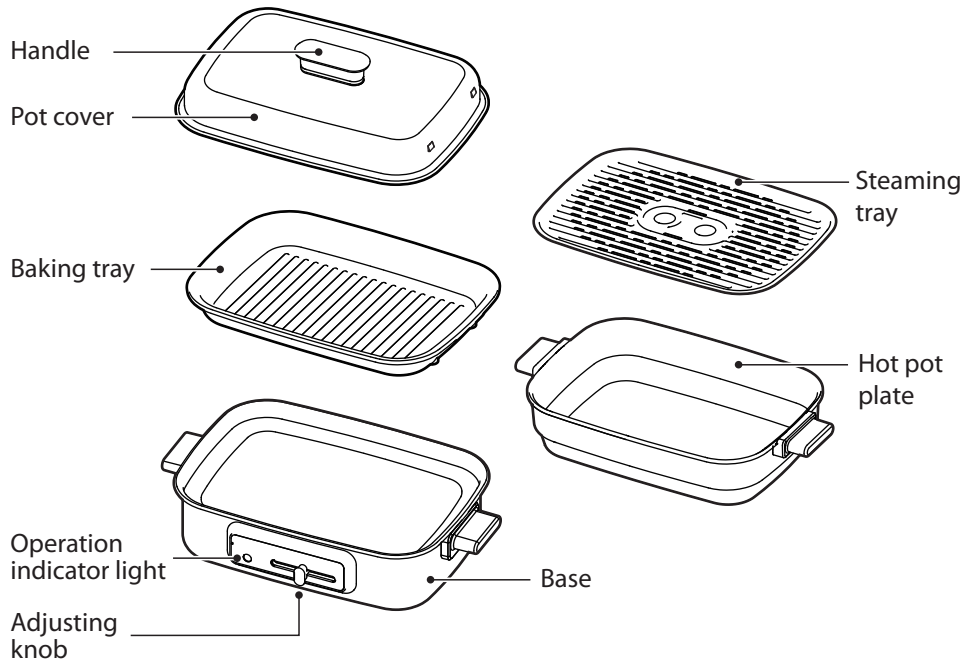
- Do not cut food in the baking tray with a knife or metal utensil during cooking. Do not scrub the baking tray with metal or coarse materials to avoid damaging the non-stick coating.
- The product cannot be used for commercial purposes to avoid shortening the service life of the product.

💡 Refer to [Tips]

- It is normal for components to squeak when the components contract and expand in use due to internal temperature changes.
- When the product is used for the first time, a small amount of soot may be evaporated, which is normal.
- The altitude range of the product for normal operation is 0-2,000m.
- In order to ensure professional and quality service, please keep the manual and do not discard it.

Name of parts

Please note that the picture is only for reference, the appearance of the products is subject to the material object in packaging box.



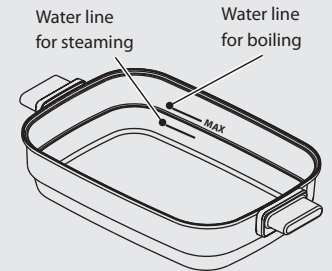
Product parameters

Model	HC-14KSSSG(K)	Rated power	1550W
Rated voltage	220-240V~	Size of baking tray (outer diameter)	340x240mm
Rated frequency	50-60Hz		

Instructions

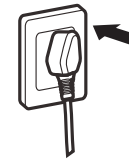
Precautions:

- When the product is used for the first time, the product may emit slight smoke or smell, and it will disappear after a period, which is not a fault.
- When "creaking" occurs during use, it is caused by the expansion of the heating tube and is not a fault.
- Do not use metal or plastic spatulas to prevent scratching the coating of the pot or melting the plastic at high temperature.
- Do not block the vent opening of the pot cover. When using the pot cover, keep a sufficient distance from the vent opening of it to avoid scalding.
- When cooking with the hot pot plate, it is better to use the pot cover, and other pots can also be used with pot cover. When boiling, please be careful that the small amount of water may spill from the edge of the pot cover.
- The water level of hot pot plate cannot exceed the maximum scale "Max".
- When using the steaming tray, the water line cannot exceed the "water line for steaming".
- When using the baking tray, do not use the pot cover to avoid scalding.



Instructions

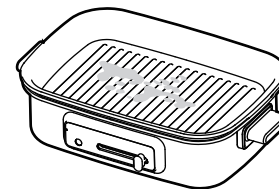
- Insert the power plug to make sure it is plugged in.



- Turn the front adjustment button to the maximum gear and apply cooking oil to the surface of the baking tray.



- Put the food in the oil after it has been heated.



- After cooking, unplug the power cord and wipe the baking tray with a wet towel after cooling down.



Cleaning and maintenance

- Please be sure to unplug the power supply cable after each use, wait for a few minutes after power failure, and then wipe it with a damp cloth. If it is stored for a long time, it should be cleaned with detergent.
- Do not use abrasive cleaning products or solvents for cleaning.
- After use, the oil in the product baking tray should be poured out, and it should be replaced with clean oil when cooking each time.
- Do not put the Hotplate in water for cleaning in case of electric shock and malfunction.
- Dry all components before storage and put the product in a safe and dry place.

Environment-friendly list

Name and content of the toxic and harmful substances or elements in the products

Component name	Toxic and harmful substance or element					
	Plumbum (Pb)	Hydrargyrum (Hg)	Cadmium (Cd)	Hexavalent chromium (Cr(VI))	Polybrominated biphenyls (PBB)	Polybrominated Diphenyl Ethers (PBDE)
Plastic assembly	○	○	○	○	○	○
Metal shell	○	○	○	○	○	○
Heating plate assembly	X	○	○	○	X	X
Power supply cable assembly	X	○	X	X	○	○
Internal connecting wire	X	○	○	○	○	○
Pots	○	○	○	○	○	○

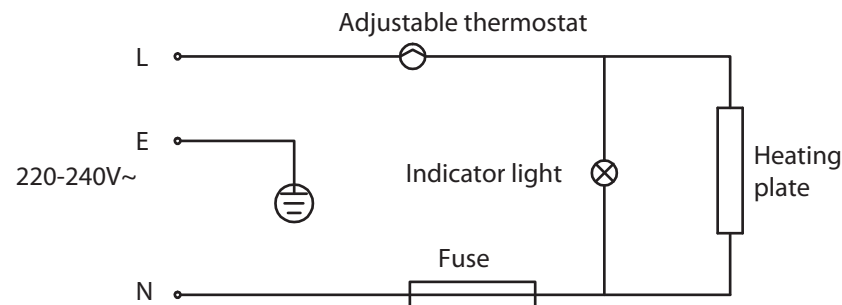
This table is prepared in accordance with the regulation of SJ/T 11364.

○ refers to that the content of hazardous substances in all homogeneous materials of this component conforms to the maximum limit specified in GB/T 26572.

X refers to that the content of the hazardous substance in at least one homogeneous material of the component exceeds the limit of GB/T 26572.

Circuit Schematic Diagram (Schematic Diagram)

Tips The circuits are subject to change without notice.



Self-inspection for abnormalities

Serial number	Anomalies	Cause	Check key points and troubleshooting
1	Work light is always off	<ol style="list-style-type: none"> 1. The power supply is not connected 2. Internal wire is disconnected 3. Fuse blown 4. The thermostat is damaged 	1. Check to ensure the switches, plugs, sockets, power leads are in good condition, and the plugs and sockets are in right place. Send 2. 3. 4 to the designated department for maintenance
	The heating plate stops functioning	The indicator light is damaged	Send to the designated maintenance department for maintenance
2	The work light is always on and never off	<ol style="list-style-type: none"> 1. Damage of electric heating tube 2. Internal wire is disconnected 	Send to the designated maintenance department for maintenance
	The heating plate starts functioning	The thermostat is damaged	Send to the designated maintenance department for maintenance