

TOSHIBA



User's Manual

Vacuum Cleaner
(Household)

VC-CLS1BF

Contents

Product Introduction

Precautions	3
Name of Each Part	4
Description of Indicators	6

Instructions for Use

Charging	7
Cleaning	8
Accessories	9

Cleaning and Maintenance

Dust Cup Cleaning	10
Electric Floor Brush Cleaning	13
Other Cleaning	15

Troubleshooting and Specifications

Troubleshooting	16
Product specification	17
Name and Content of Hazardous Substances in Products	17
Product Disposal	18

Product Introduction



Safety Warning

Precautions

- In order to use this product correctly and safely, please carefully read and fully understand this manual before use. Keep it properly for future reference.
- Do not bring the vacuum cleaner close to heat sources, radiation or burning cigarette butts, and it is strictly forbidden to suck the following objects:
 1. All liquids such as water and solvents;
 2. Building dust and garbage such as lime and cement ash;
 3. Heat-generating objects, such as carbon butts and cigarette butts that have not been extinguished;
 4. Sharp fragments such as glass, etc.;
 5. Flammable and explosive materials, such as gasoline or alcohol products.
- Do not let children play with or operate the vacuum cleaner in order to avoid accidents;
- Your vacuum cleaner is an electric appliance: it must be used under normal conditions, and unattended use is prohibited;
- Cut off the power before cleaning, repairing or when it is temporarily not in use;
- To cut off the power supply: Do not drag the power cord; hold the plastic part of the plug and pull it out;
- Check and ensure that the power supply voltage is consistent with the charging voltage of the vacuum cleaner;
- Do not let the power cord of the vacuum cleaner pass through sharp objects, so as to avoid damage;
- Never immerse the vacuum cleaner in water, and avoid close to heating appliances or exposure to the sun in order to prevent fire;
- Do not move the charging stand by dragging the power cord;
- Do not use the vacuum cleaner in the following situations, and send it to the service department designated by our company for inspection and repair in time:
 1. Drop occurs and there is obvious damage or abnormal operation;
 2. The power cord is damaged.
- Avoid running for a long time with the suction port blocked in order to avoid damage to the motor and deformation of the vacuum cleaner;
- Do not press the button of the dust cup during transportation to prevent the dust cup from falling off and causing injury.
- This appliance can be used by children aged from 8 years and above and persons with reduced physical, sensory or mental capabilities or lack of experience and knowledge if they have been given supervision or instruction concerning use of the appliance in a safe way and understand the hazards involved. Children shall not play with the appliance. Cleaning and user maintenance shall not be made by children without supervision.

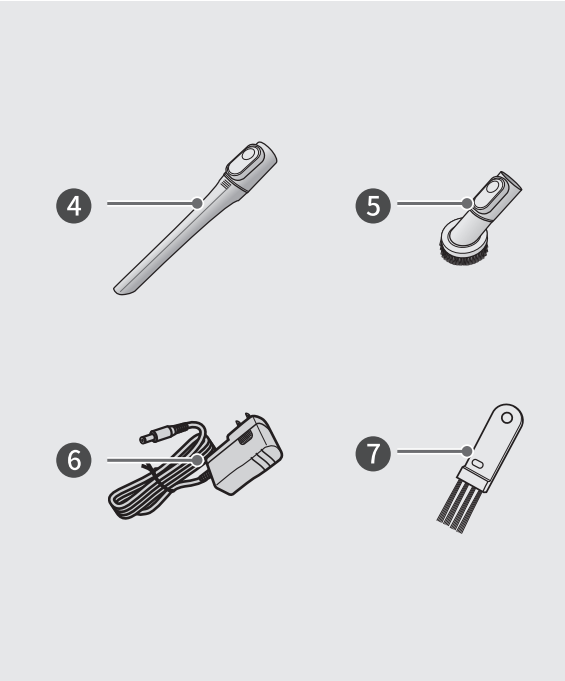
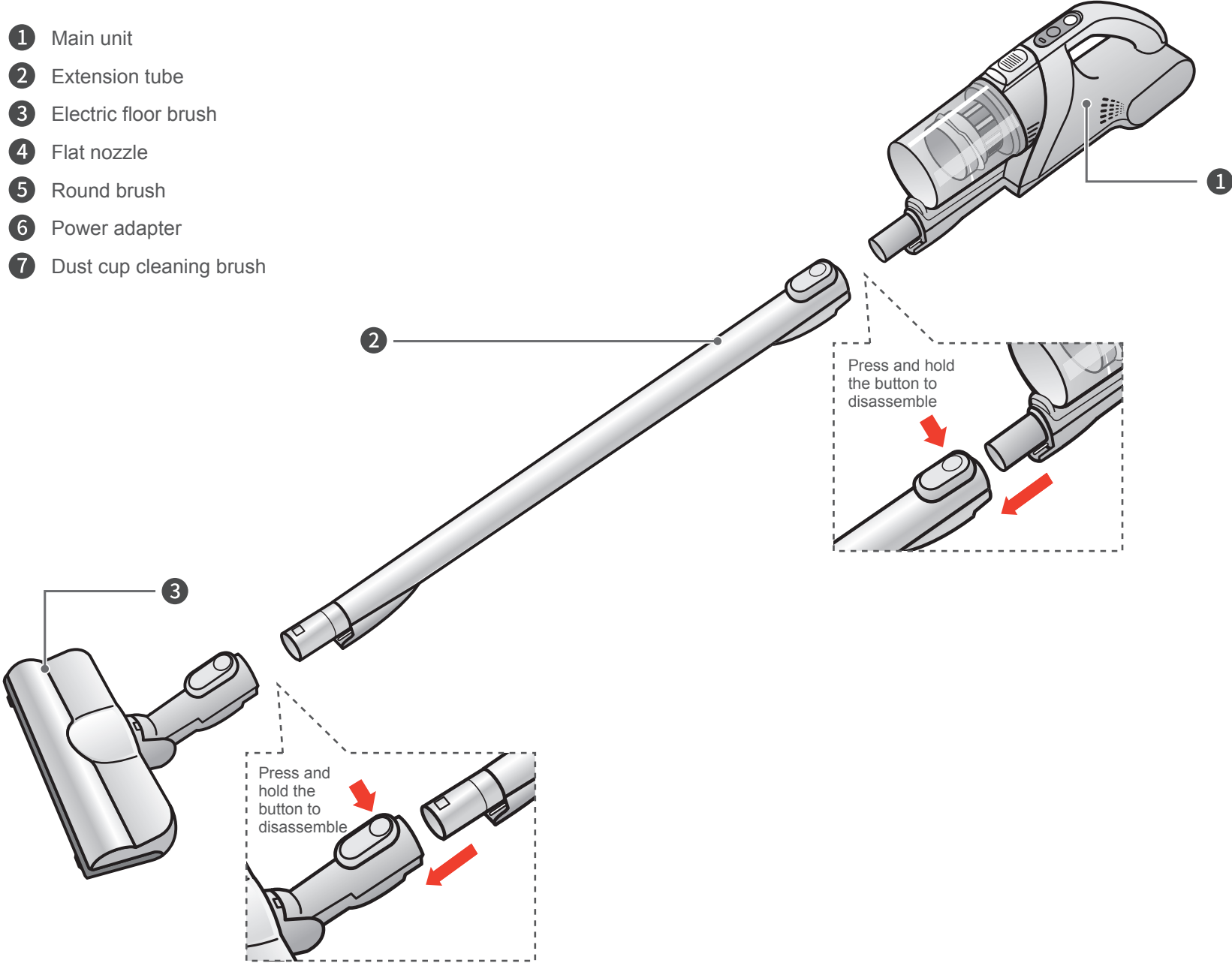
Charging Precautions

- In the following cases, the charging time may be extended:
 1. When charging in a place where the room temperature exceeds 35°C or below 5°C;
 2. When charging immediately after stopping operation.
- Regardless of the time of use, please charge it after cleaning.
- It is recommended to unplug the charger when it is not charging.
- If your machine will not be used for a long time (more than 1 months), please unplug the power plug. It is recommended to fully charge every 6 months in order to ensure the battery life.
- During the charging process, the cleaner body or power adapter may heat up. This is normal.
- **WARNING:** For the purposes of recharging the battery, only use the detachable supply unit provided with this appliance.

Product Introduction

Name of Each Part

- 1 Main unit
- 2 Extension tube
- 3 Electric floor brush
- 4 Flat nozzle
- 5 Round brush
- 6 Power adapter
- 7 Dust cup cleaning brush

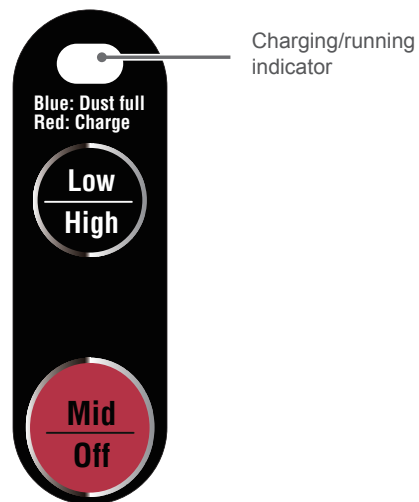


Product Introduction

Description of Indicators

- **Charging/operation indicators**

Function	Status	Indication
Running indication	- The machine is running	The indicator light is off
Battery indication	- Low battery - Charging - Fully charged	- Flashing (red) - On (red) - Off
Exception indication	- Slight clogging of dust cup - Shutdown due to dust cup block - Power button is pressed when the adapter is not disconnected	- Flashing (blue) - Flashing for 3s (blue) - Flashing for 5s (blue)

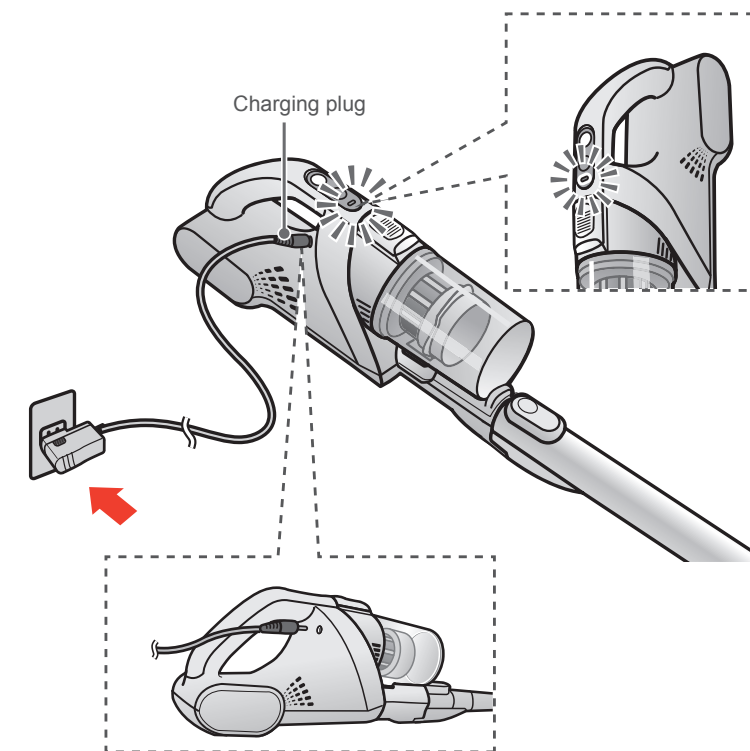


Instructions for Use

Charging

The battery is not charged when the product is delivered. Please be sure to fully charge the battery before use.

Place the cleaner on the charging stand and the charging start when the charging indicator light (red) turns on. It takes about 4.5 hours to fully charge.



Caution

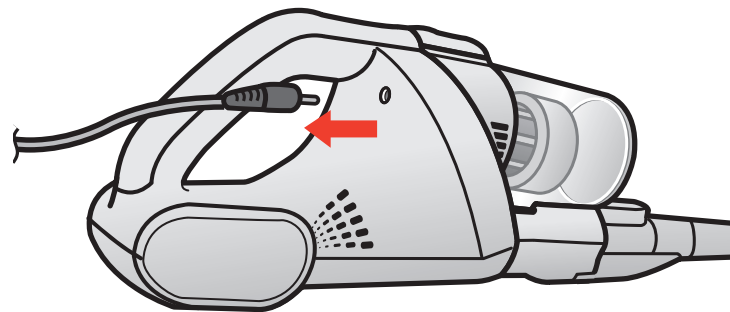
1. The cleaner can't be used during the charging process. If you need to use it, please remove it from the machine body;
2. Avoid charging in high temperature above 35°C or low temperature below 5°C;
3. If your cleaner is not in use for a long time (more than 1 month), please unplug the power plug; in order to ensure the battery life, it is recommended to fully charge it every 6 months;

Instructions for Use

Cleaning

Before you start cleaning, please clean up large garbage, such as rocks and packaging film, in order to prevent blocking the air duct or scratching the cleaner.

1. Pull out the charging plug;
2. Press “Low/High” or “Mid/Off” to clean;



• Suction selection

Low: Suitable for long time cleaning;

Using strong mode will be difficult in some occasions, such as curtain cleaning, etc.;

High: Suitable for situations with a lot of garbage;

Mid: Suitable for situations with less garbage.

3. After cleaning, press the “Mid/Off” button to end the operation.

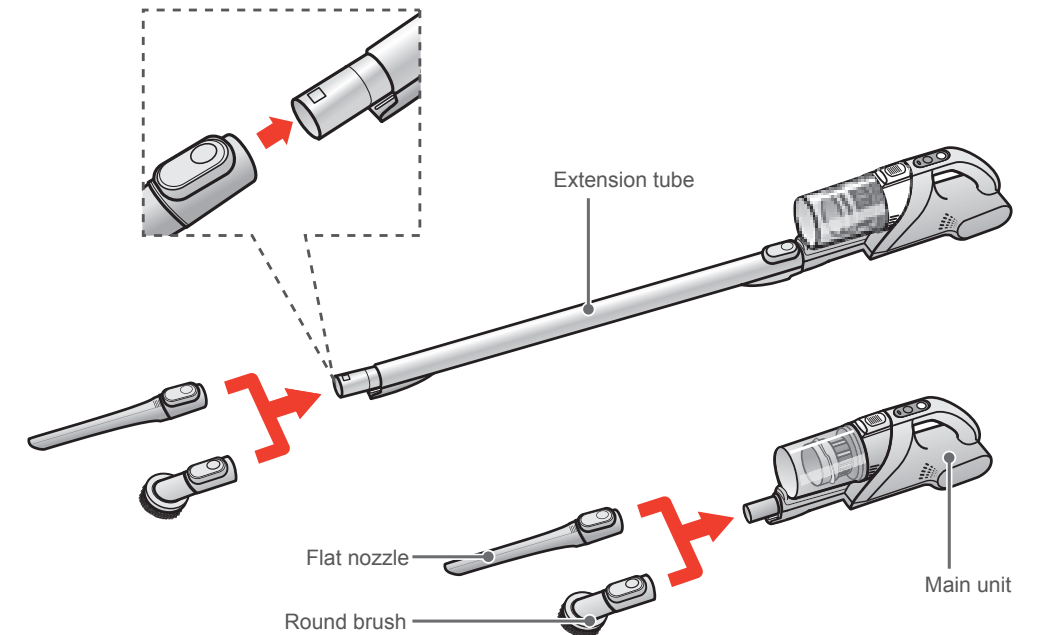


Instructions for Use

Accessories

Accessories	Scenes	Interworking	
		Main unit	Extension tube
Electric floor brush	Carpet, floor, etc.	✓	✓
Flat nozzle	Gaps, narrow parts	✓	✓
Round brush	Tables, cabinets, etc.	✓	✓
Dust cup cleaning brush	Dust cup cleaning	×	×

- Accessories can be installed on the main unit and extension tube

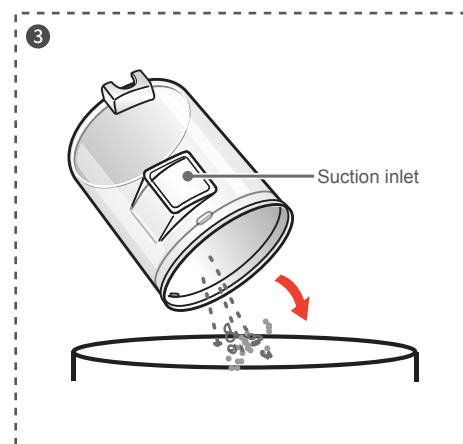
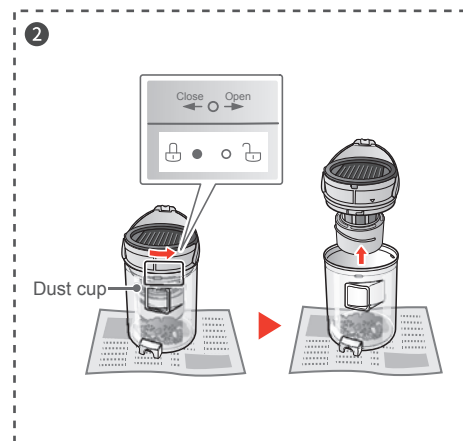
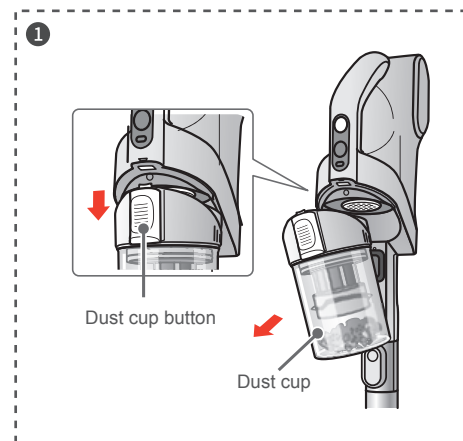


Cleaning and Maintenance

Dust Cup Cleaning

In order to maintain the suction power, please clean up the garbage regularly after finishing cleaning.

- 1 Take out the dust cup: Keep the cleaner in an upright state, press the dust cup button and take out the dust cup.
- 2 Open the dust cup: Align the O on the separate mesh with the O on the cup body and then remove it.
- 3 Pour out garbage: aim at the garbage bag (bucket) to pour out the garbage.



Caution

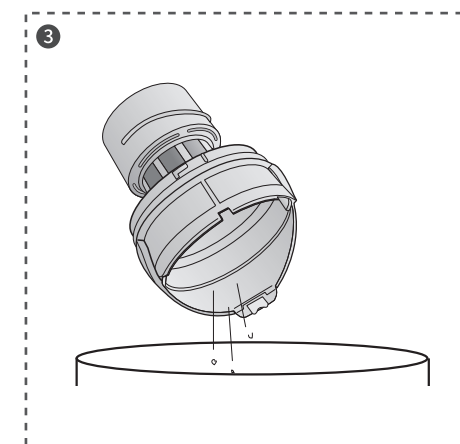
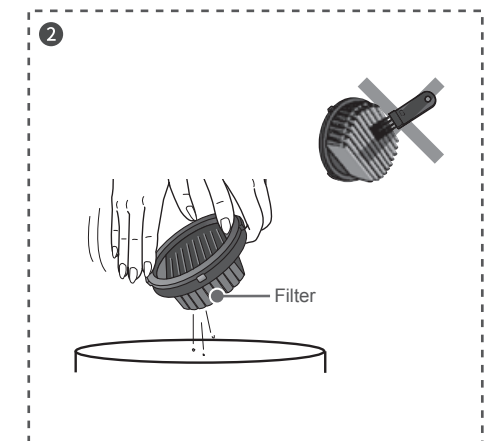
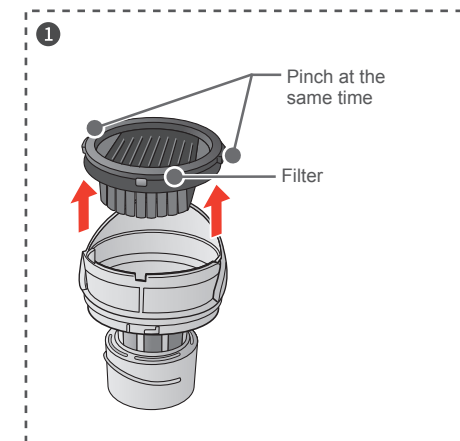
Do not remove the dust cup when the cleaner is placed horizontally, or else the garbage may be scattered.

Cleaning and Maintenance

Dust Cup Cleaning

In order to maintain the suction power, please clean up the garbage regularly after finishing cleaning.

- 1 Take out the filter: Pinch both sides of the filter at the same time, and take out the filter upwards.
- 2 Clean the filter: Tap it several times with the palm of your hand. If the dust doesn't fall off, please wash it with water. Never clean the filter cotton with a brush.
- 3 Pour out garbage: Aim at the garbage bag (bucket) to pour out the garbage.



Caution

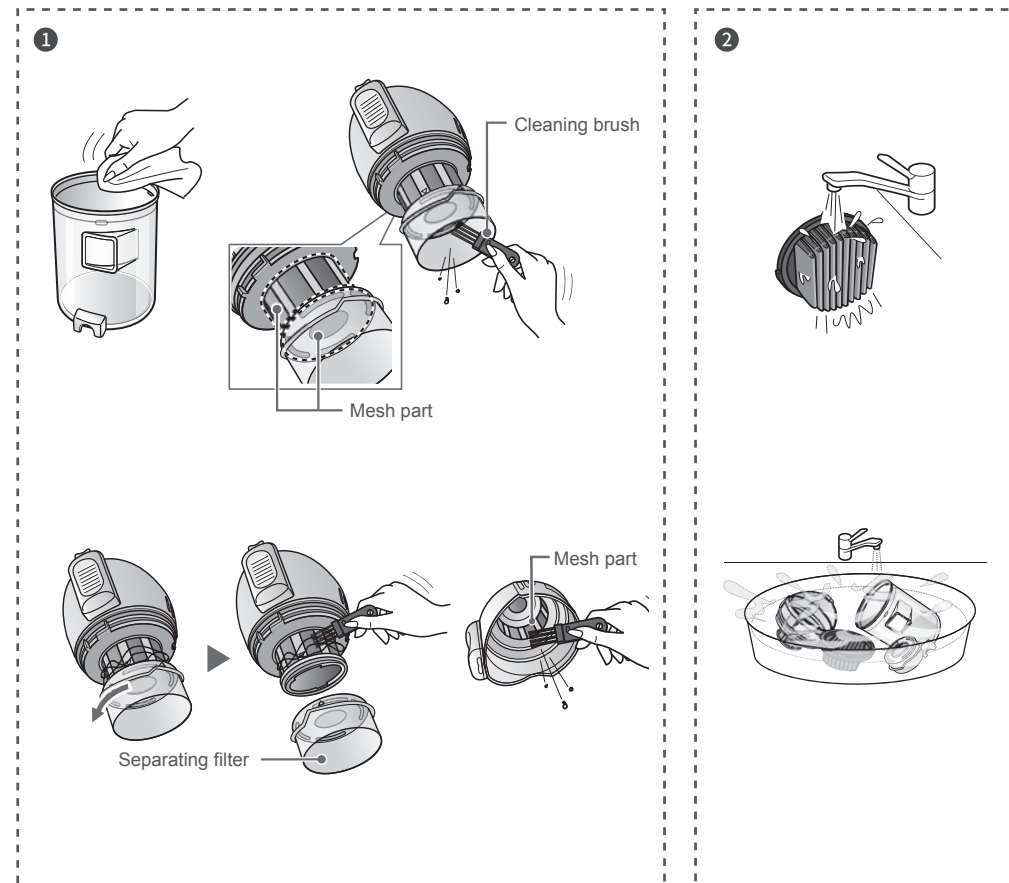
1. Do not use detergent or other agents for cleaning;
2. After washing, it must be completely dried before putting it back into use;
3. Do not use hair dryer for drying;
4. The dust cup cotton filter is consumable. To replace it, please contact the TOSHIBA After Sales.

Cleaning and Maintenance

Dust Cup Cleaning

If the suction power is still low after the above steps, wash the dust cup with water.

- ① Clean the separate mesh: Remove the garbage on the mesh part and the edge of the cup with a cleaning brush, and wipe it with a damp cloth.
- ② Wash with water: Wash the parts with water, dry the dust cup filter until no water splashes, and then place it in a cool place to dry.



⚠ Caution

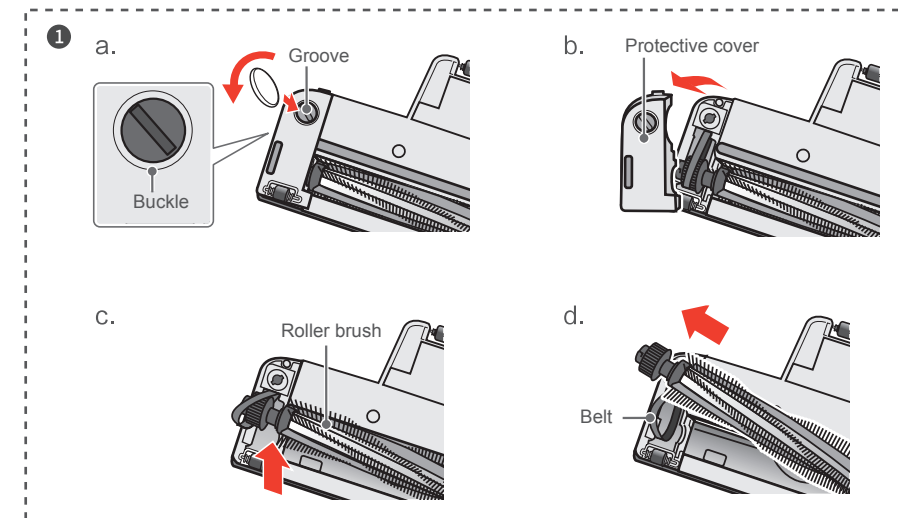
1. Do not use detergent or other agents for cleaning;
2. After washing, it must be completely dried before putting it back into use;
3. Do not use hair dryer for drying;
4. The dust cup cotton filter is consumable. To replace it, please contact the TOSHIBA After Sales.

Cleaning and Maintenance

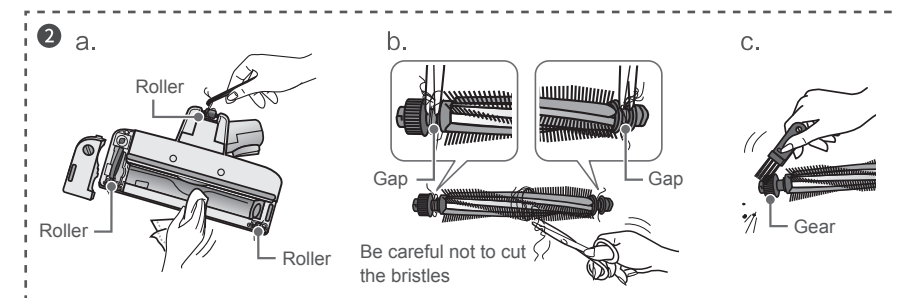
Electric floor brush cleaning

When the roller brush or wheels are entangled with garbage or dirty, please clean them.

- ① Remove the floor brush
 - a. Use a coin or other tools to move the floor brush buckle in the direction of the arrow;
 - b. Remove the protective cover;
 - c. Pull up the belt;
 - d. Lift the roller brush.

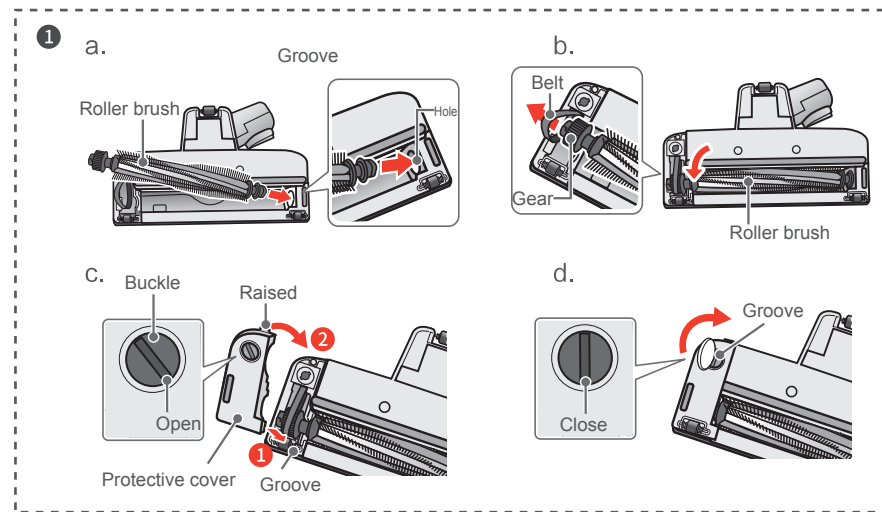


- ② Clear garbage
 - a. Remove the garbage wrapped around the roller with tweezers, and wipe the inside with a dry cloth;
 - b. Cut off the garbage entangled on the roller brush with scissors, and remove the garbage in the gap between the two ends;
 - c. Remove the garbage on the gear with a brush. The rotating part and the protective cover can be washed with water. After washing, please fully dry it in a dry place.



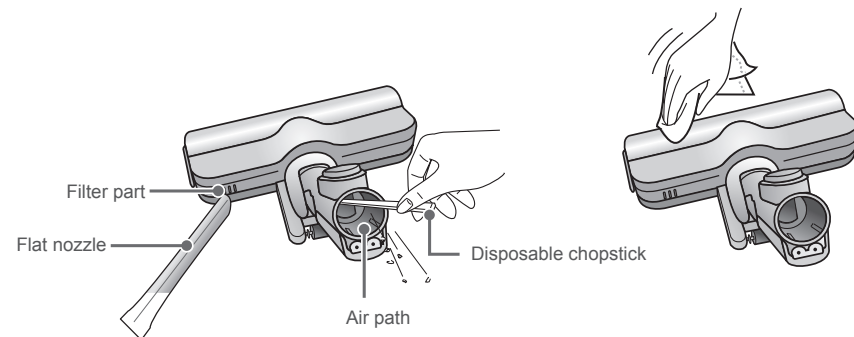
Cleaning and Maintenance

- 3 After cleaning, install in the order as shown in the figure below
 - a. Align the roller brush with the hole and insert;
 - b. Put the belt on the gear position of the roller brush;
 - c. Install the protective cover;
 - d. Use a coin to lock the floor brush buckle according to the direction shown in the figure.



⚠ Caution

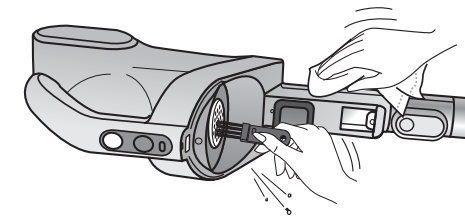
1. When there is garbage accumulated in the air path of the floor brush, please remove it with disposable chopsticks;
2. When the filter part of the floor brush is full of dust, please remove with flat nozzle;
3. Do not wash with water except for the rotating part and the cover (or else it will cause malfunction);
4. Do not inject oil on both ends of the rotating part (or else it may cause poor rotation).



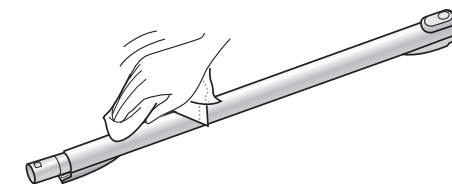
Cleaning and Maintenance

Other Cleaning

- 1 Main unit
Wipe with a dry cloth. Please remove the garbage attached to the main unit with the provided cleaning brush.



- 2 Extension tube
Wipe with a dry cloth.



- 3 Round brush, flat nozzle
Wash and dry.



Troubleshooting and Specifications

Troubleshooting

It is strictly forbidden to modify the cleaner or accessories without permission, and it is strictly forbidden to change the power cord or battery without permission.



Except for specialized service technicians, please do not disassemble or repair this product.

When an exception occurs during the charging process, please unplug the power plug and plug it in again after 15 seconds.

If the exception can't be eliminated or the operation process is abnormal, please press [Mid/Off] to stop the operation, and then check the following items.

Problem	Possible causes	Solution
Do not run or stop running suddenly	<ul style="list-style-type: none"> - Insufficient battery power - The power plug has just been unplugged and is now in a protected state - Dust cup filter is blocked - Ambient temperature is too high or too low 	<ul style="list-style-type: none"> - Use after charging - Wait about 3s before running - Refer to P.12 for operation - Please use in a suitable environment
Electric floor brush does not rotate	<ul style="list-style-type: none"> - Depending on the type of carpet (electric blanket, long pile or carpet with high pile density), the roller brush may stop running - The brushing area is entangled with a lot of thread or hair 	<ul style="list-style-type: none"> - Press [Mid/Off] to stop the operation and start the vacuum cleaner again - Clear the hair before using
The indicator light does not light up/flash when charging	<ul style="list-style-type: none"> - The charging cable is not firmly connected - Charge immediately after stopping operation 	<ul style="list-style-type: none"> - Reconnect the charging cable - To protect the circuit, please wait patiently
Charging time becomes longer	<ul style="list-style-type: none"> - Ambient temperature is too high or too low - Charge immediately after use 	<ul style="list-style-type: none"> - Please charge in a suitable environment - To protect the circuit, please wait patiently
The suction power becomes weak during operation	<ul style="list-style-type: none"> - The environment temperature is too high and continuous operation - Continuous operation when the filter/suction port is blocked 	<ul style="list-style-type: none"> - Please charge in a suitable environment - Please use after cleaning

Troubleshooting and Specifications

Specifications

Battery	Li-ion 10.8 V \equiv 1.8 Ah
Dust collection capacity	0.15 L
Charging time	About 4.5 hours *Vary depending on room temperature and usage time.
Discharging time	Strong: about 8 min Standard: about 20 min ECO: about 32 min (including electric floor brush) About 35 min (without electric floor brush) (Initial battery use, room temperature 20°C) * Vary depending on the ground material, the amount of garbage in the cleaning place, and the environment of use.
Charging input	100-240 V \sim 50 / 60 Hz 0.8A Max
Charging output	12.3 V \equiv 0.5 A
Power cord length	2 m

Name and Content of Hazardous Substances in the Product

Part name	Lead (Pb)	Mercury (Hg)	Cadmium (Cd)	Hexavalent chromium (Cr(VI))	Polybrominated phenyl (PBBs)	polybrominated diphenyl ethers (PBDEs)
Battery	○	○	○	○	○	○
Adapter	○	○	○	○	○	○
Lower cover assembly	○	○	○	○	○	○
Upper cover assembly	○	○	○	○	○	○
Motor assembly	○	○	○	○	○	○
Hose assembly	○	○	○	○	○	○
Dust cup assembly	○	○	○	○	○	○
Extension tube	○	○	○	○	○	○
Electric floor brush	○	○	○	○	○	○
Electronic circuit	○	○	○	○	○	○

Remarks:

1. This table is compiled in accordance with the regulations of SJ/T11364.
2. O: Indicates that the content of the hazardous substance in all homogeneous materials of the part is below the limit requirement specified in 2011/65/EU.
3. X: Indicates that the content of the hazardous substance in at least one of the homogeneous materials of the part exceeds the limit requirement of 2011/65/EU.
4. All parts with X in this table are in compliance with the EU RoHS Directive, that is, "Directive 2011/65/EU of the European Parliament and of the Council on Restricting the Use of Certain Hazardous Substances in Electrical and Electronic Equipment" and its amendments.

Troubleshooting and Specifications

Product Disposal

Except for discarded products, it is strictly prohibited to disassemble the battery without authorization in order to avoid danger.

It is strictly prohibited to use discarded batteries.

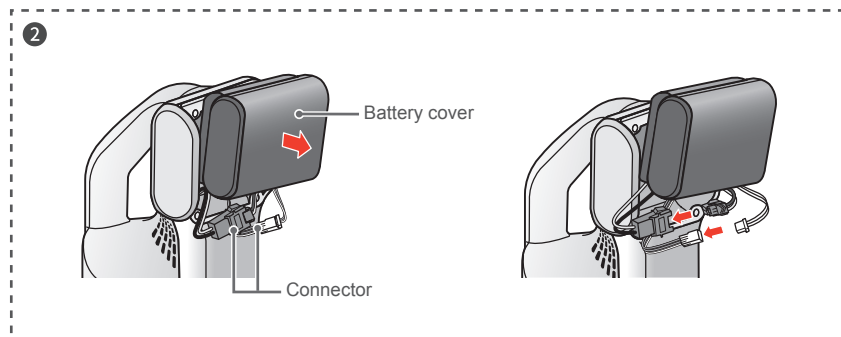
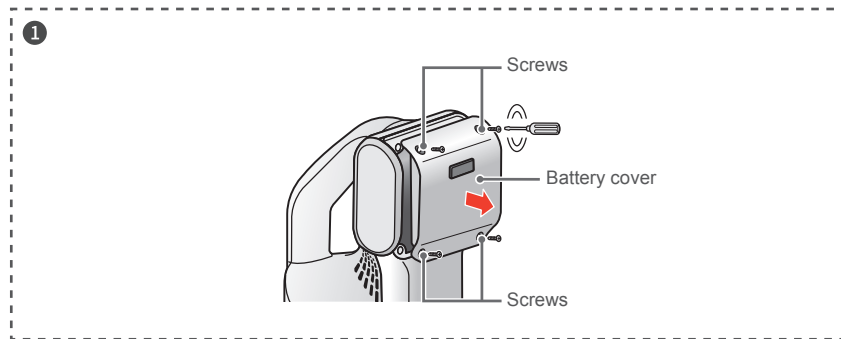
This appliance contains batteries that are only replaceable by service technicians .

When you are going to discard the product, please strictly follow the steps below.

Please run out the battery power before disassembling.



- 1 Discharge until there is no operation, use a screwdriver to remove 4 screws and take out the battery;
- 2 Remove the connectors (2) connecting the battery and the cleaner, and use tape to insulate the connectors.



• Battery Recycling

Waste batteries are an important resource. When disposing of the product, do not throw away the battery at will.

Please handle the battery properly in accordance with government regulations.

To prevent short circuits, be sure to put tape on the metal terminals for insulation.

Caution

Do not connect the removed battery to the main unit again. There is a risk of battery leakage, heat generation, rupture, or fire.