

TOSHIBA



User's Manual

Vacuum Cleaner (household)

VC-CLX50BF

Contents

Product introduction

Precautions.....	3
Name of each part	4
Indicator light description	6

Instructions for use

Storage and charging instructions.....	7
Cleaning	8
Use of accessories.....	9

Cleaning and maintenance

Dust cup cleaning	10
Dust cup assembly cleaning	11
Electric floor brush cleaning	13
Cleaning of other parts.....	14

Troubleshooting and specification

Abnormality elimination.....	15
Product Specification	16
Product Disposal	17

Product Introduction



Safety Warning

Precautions

- In order to use this product correctly and safely, please carefully read and fully understand this manual before use. Keep it properly for future reference.
- Do not bring the vacuum cleaner close to heat sources, radiation or burning cigarette butts, and it is strictly forbidden to suck the following objects:
 1. All liquids such as water and solvents;
 2. Building dust and garbage such as lime and cement ash;
 3. Heat-generating objects, such as carbon butts and cigarette butts that have not been extinguished;
 4. Sharp fragments such as glass, etc.;
 5. Flammable and explosive materials, such as gasoline or alcohol products.
- Do not let children play with or operate the vacuum cleaner in order to avoid accidents;
- Your vacuum cleaner is an electric appliance: it must be used under normal conditions, and unattended use is prohibited;
- Cut off the power before cleaning, repairing or when it is temporarily not in use;
- To cut off the power supply: Do not drag the power cord; hold the plastic part of the plug and pull it out;
- Check and ensure that the power supply voltage is consistent with the charging voltage of the vacuum cleaner;
- Do not let the power cord of the vacuum cleaner pass through sharp objects, so as to avoid damage;
- Never immerse the vacuum cleaner in water, and avoid close to heating appliances or exposure to the sun in order to prevent fire;
- Do not move the charging stand by dragging the power cord;
- Do not use the vacuum cleaner in the following situations, and send it to the service department designated by our company for inspection and repair in time:
 1. Drop occurs and there is obvious damage or abnormal operation;
 2. The power cord is damaged.
- Avoid running for a long time with the suction port blocked in order to avoid damage to the motor and deformation of the vacuum cleaner;
- Do not press the button of the dust cup during transportation to prevent the dust cup from falling off and causing injury.
- This appliance can be used by children aged from 8 years and above and persons with reduced physical, sensory or mental capabilities or lack of experience and knowledge if they have been given supervision or instruction concerning use of the appliance in a safe way and understand the hazards involved. Children shall not play with the appliance. Cleaning and user maintenance shall not be made by children without supervision.

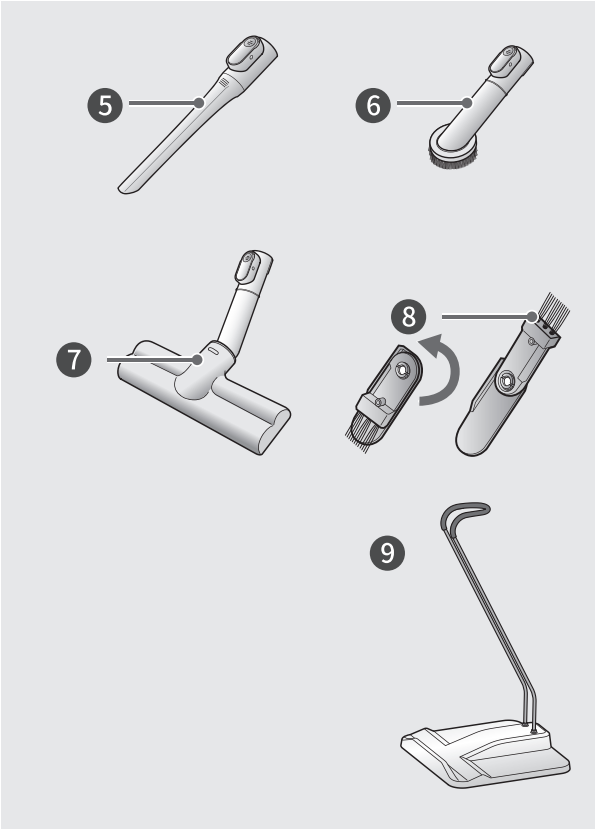
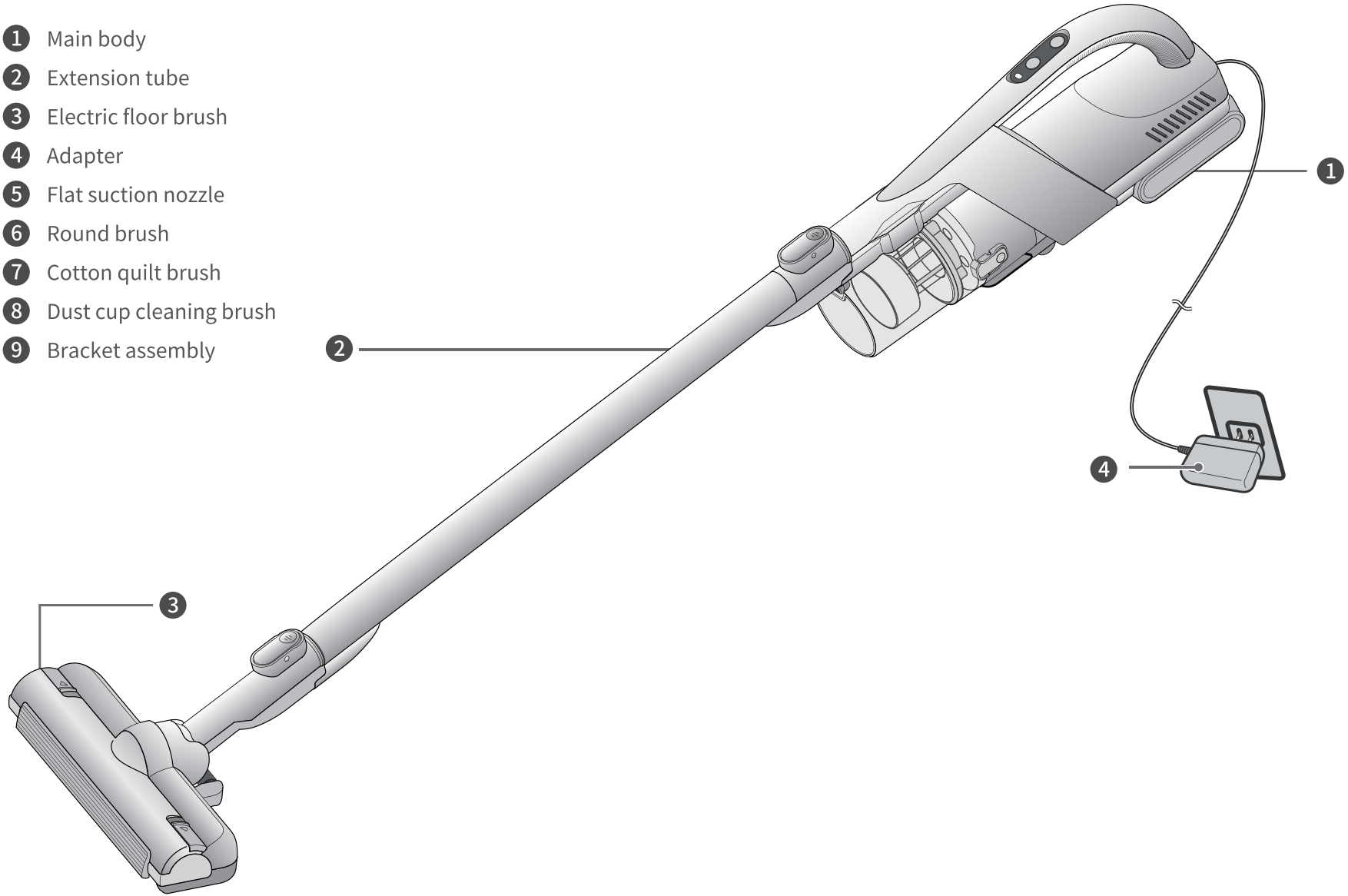
Charging Precautions

- In the following cases, the charging time may be extended:
 1. When charging in a place where the room temperature exceeds 35°C or below 5°C;
 2. When charging immediately after stopping operation.
- Regardless of the time of use, please charge it after cleaning.
- It is recommended to unplug the charger when it is not charging.
- If your machine will not be used for a long time (more than 2 months), please unplug the power plug. It is recommended to fully charge every 2 months in order to ensure the battery life.
- During the charging process, the cleaner body or power adapter may heat up. This is normal.
- **WARNING:** For the purposes of recharging the battery, only use the detachable supply unit provided with this appliance.

Product introduction

Name of each part

- 1 Main body
- 2 Extension tube
- 3 Electric floor brush
- 4 Adapter
- 5 Flat suction nozzle
- 6 Round brush
- 7 Cotton quilt brush
- 8 Dust cup cleaning brush
- 9 Bracket assembly



Product introduction

Indicator light description

- Charge/running indicator

Function	Status	Indication
Operation indication	- The machine is running	The light is not working
Abnormality indication	- The filter cotton is slightly blocked - Wrong battery pack used	- Flash (blue) - Quick flash (blue)



Automatic start and stop of electric floor brush:

The electric floor brush stops running when it is lifted from the ground, and will resume running after being put back on the ground

Instructions for use

Storage and charging instructions

The battery is not charged when leaving the factory. Be sure to fully charge the battery before use.

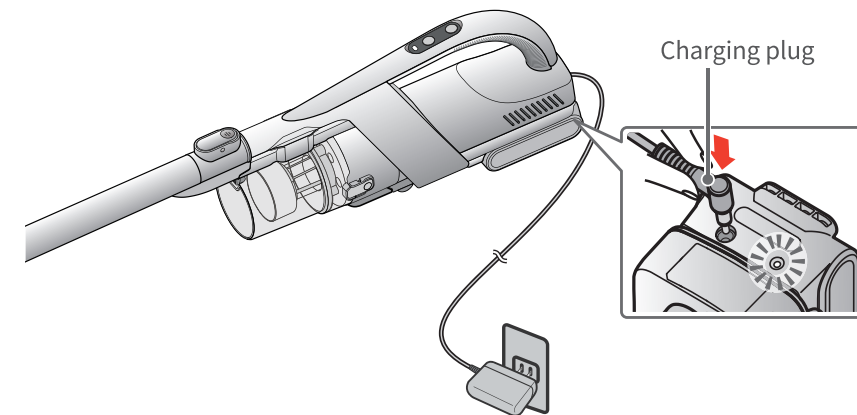
Insert the charging plug into the charging port of the product, the charging begins when the charging LED (red) is on, and it takes about 2.5 hours for the battery to get fully charged.

The meaning of the charging LED:

Red light flashing: in need of charging

Red light on for a long time: charging

Red light off: charging completed



Caution

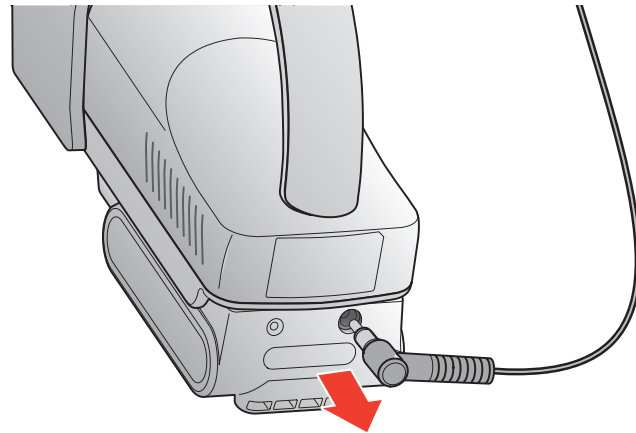
1. It can not be used during charging. If you need to use it, remove the charging plug from the product;
2. Avoid charging at high temperature above 35 °C or low temperature below 5 °C;
3. If your machine will not be used for a long time (more than 1 month), pull out the power plug, but get it fully charged every 6 months, so as not to undermine its battery life.

Instructions for use

Cleaning

Clean up large pieces of garbage, such as stones and packaging films before cleaning, avoiding blocking the wind path or scratching the product.

1. Pull out the charging plug;
2. Press "Low/High" or "Mid/off" to clean.



- Suction force selection

High: for situations where there is a lot of garbage;

Low: for long-time cleaning;

Mid/off: for situations with less garbage.

3. After cleaning, press the "Mid/off" button to end the operation.

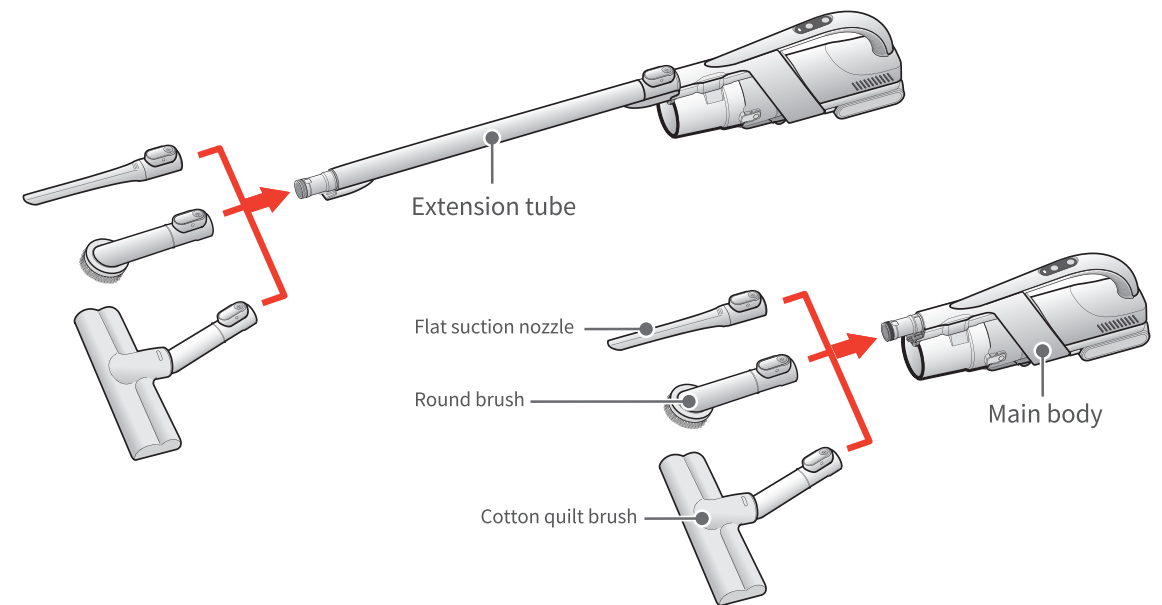


Instructions for use

Use of accessories

Accessories	Service scenario	Mutual matching	
		Machine body	Extension tube
Electric floor brush	Common carpet floor, etc.	√	√
Flat suction nozzle	Gap, narrow place	√	√
Round brush	Tables and cabinets, etc	√	√
Cotton quilt brush	Bedding such as quilts	√	√
Dust cup cleaning brush	Dust cup cleaning	×	×

- Accessories can be installed on the main body and extension tube

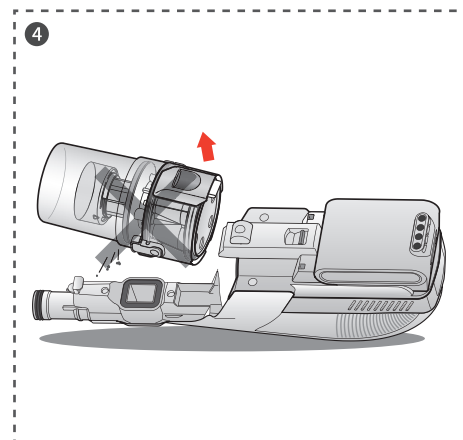
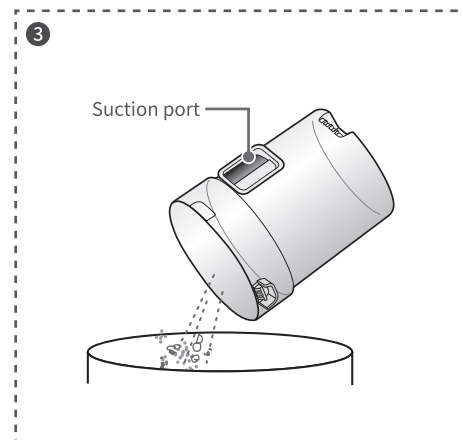
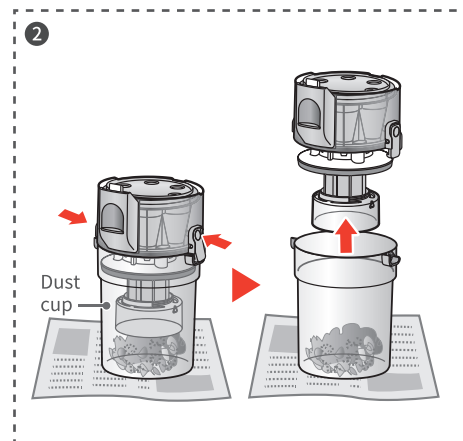
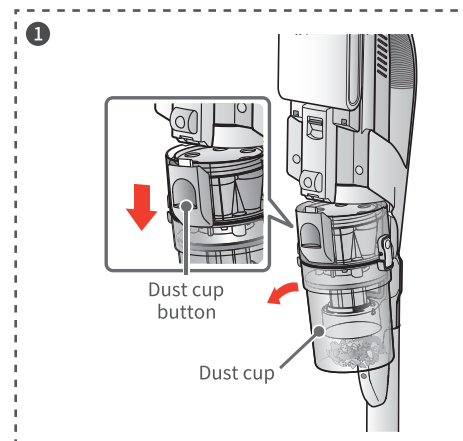


Cleaning and maintenance

Dust cup cleaning

To maintain suction force, clean up the garbage regularly after cleaning.

- 1 Take out the dust cup: Make the product in an upright state, and slide down the dust cup button to take it out.
- 2 Remove the dust cup: Rotate the dust cup counterclockwise and then remove it.
- 3 Dumping garbage: The suction port is facing up, aiming at the trash can (bag) to dump garbage.
- 4 Dust cup cleaning: Use the cleaning brush on the top cover of the dust cup to clean the attached garbage.



Caution

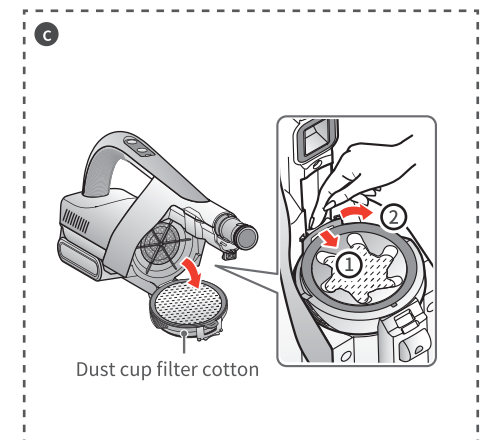
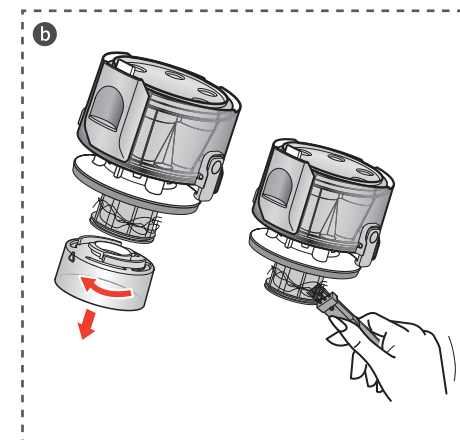
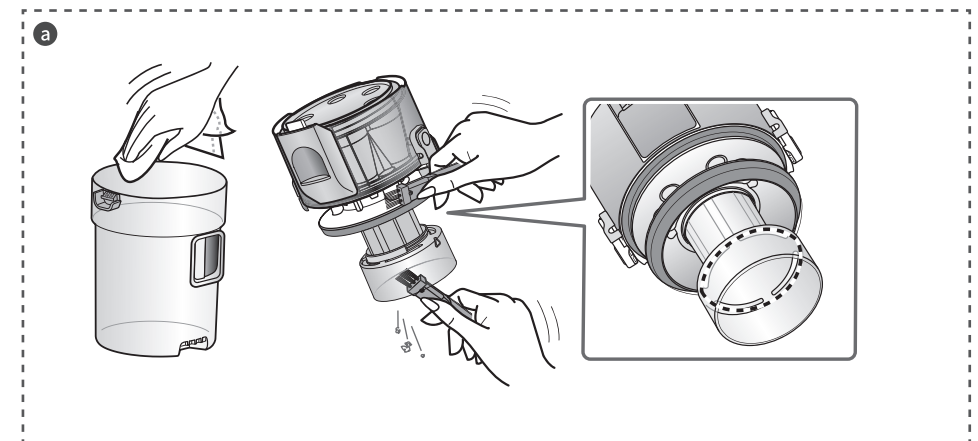
Do not take off the dust cup when the complete machine is placed horizontally, because garbage may fall.

Cleaning and maintenance

Dust cup assembly cleaning

If the suction force is still low after taking the above steps, wash the dust cup assembly and dust cup filter cotton and clean them with water.

- 1 Remove parts
 - a. Press the lock catch of the dust cup upper cover, and rotate the upper cover counterclockwise to remove it;
 - b. Remove the dust separator;
 - c. Remove the dust cup filter cotton assembly and take out the dust cup filter cotton.

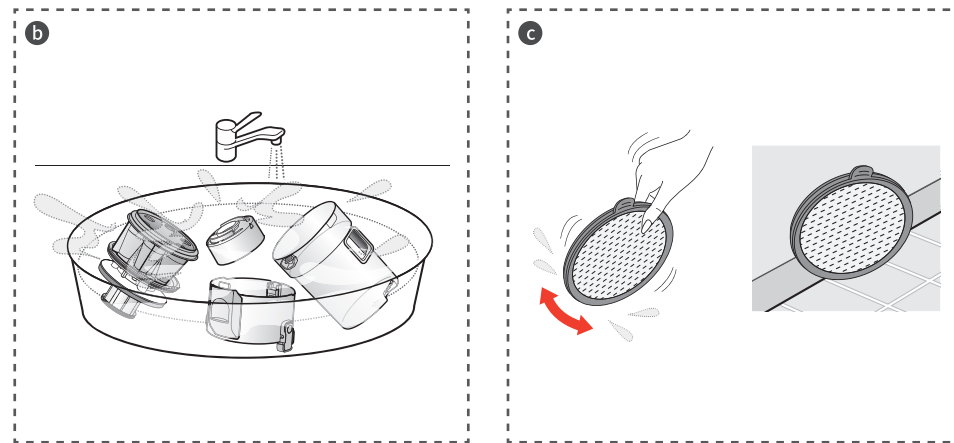
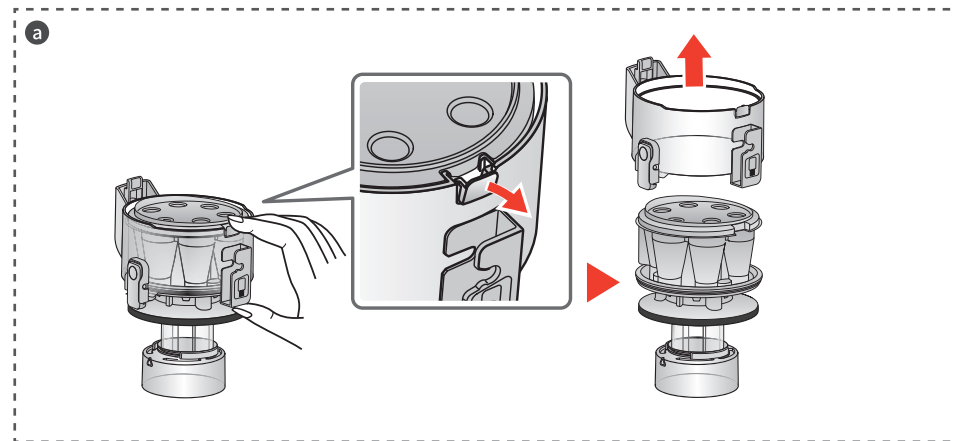


Cleaning and maintenance

Dust cup assembly cleaning

② Cleaning with water

- Clean the separator; remove the garbage on the parts with net and the edge of the cup with a cleaning brush and wipe it with a wet cloth;
- Wash the parts with water;
- Dry the dust cup filter cotton until there is no water splash, and then dry it in a cool place.



⚠ Caution

- Do not use detergent and other cleaning agents for cleaning;
- After washing, be sure to completely dry it before putting it back into use;
- Do not use a hair dryer for drying;
- Dust cup filter cotton is consumable. To replace it, contact Toshiba After-sales Department.

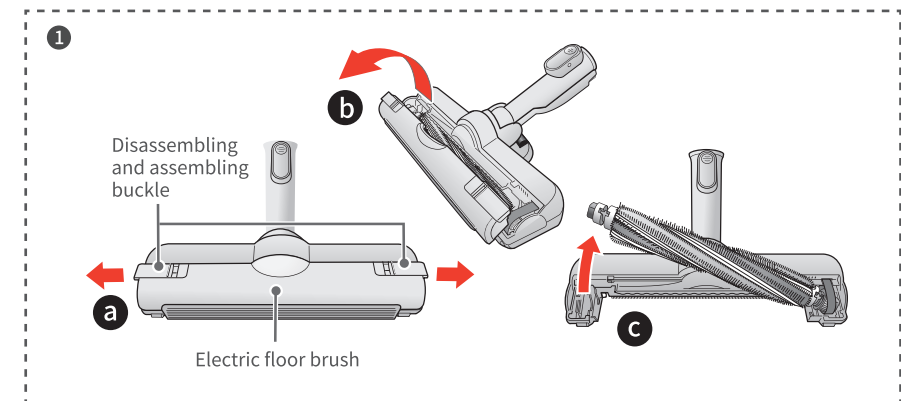
Cleaning and maintenance

Electric floor brush cleaning

When the roller brush and wheels are entangled or get dirty by garbage, please clean them.

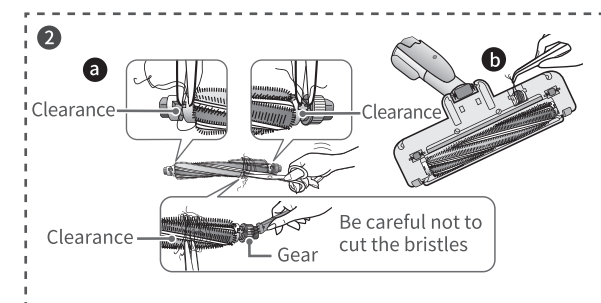
① Removing floor brush

- Move the left and right disassembly buckles along the direction of the arrow;
- Remove the protective cover;
- Lift the roller brush.



② Cleaning up garbage

- Cut and clean the garbage wrapped in the roller brush with scissors or blades;
- Take out the garbage wrapped around the wheel and automatic pause device with tweezers.



⚠ Caution

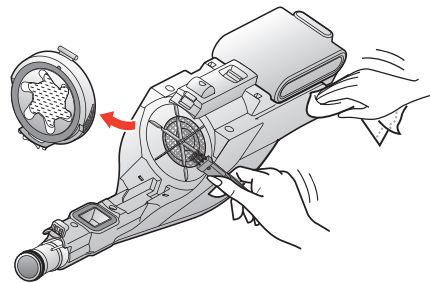
- If the wind path is blocked by garbage, use disposable chopsticks to remove it;
- Except for the roller brush and cleaning cover, the rest cannot be washed with water;
- Do not oil both ends of the roller brush;
- Do not touch the roller brush or stand near the air outlet of the complete machine during operation;
- Cease to use the product if the felt of the wheel or electric brush is worn. To replace it, contact Toshiba After-sales Department.

Cleaning and maintenance

Cleaning of other parts

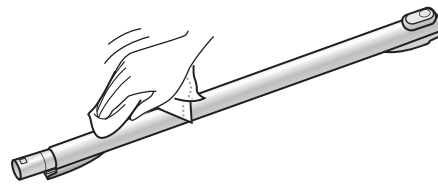
1 Main body

Wipe with a dry cloth. Remove the garbage attached to the net of the body with the cleaning brush provided along the product.



2 Extension tube

Wipe with a dry cloth.



3 Round brushes, flat suction nozzles

Wash and dry.



Troubleshooting and specification

Abnormality elimination

It is strictly forbidden to modify the product body or its accessories without permission, and to replace the power cord or battery without permission.



Do not disassemble or repair this product unless they are carried out by professional maintenance technicians.

In case of an abnormality during charging, pull out the power plug and reinsert it for charging after about 15 seconds.

When the abnormality persists or the operation process is abnormal, press "Mid/off" to stop the operation, and then check the following items.

Abnormality	Possible causes	Troubleshooting method
Not running or suddenly stop running	<ul style="list-style-type: none"> - Low power - The power plug has just been unplugged, and it is in a protected state at this time - The filter screen of the dust cup is blocked - The ambient temperature is too high or too low 	<ul style="list-style-type: none"> - Use after charging - Wait about 3s before running - Refer to the operation in P.6 - Use in a suitable environment
Electric floor brush The roller brush does not rotate	<ul style="list-style-type: none"> - Energy saving pause function is enabled - Depending on the type of carpet (electric blanket, carpet with long pile or high fluff density), the roller brush may stop running - The roller brush is wrapped with a large number of threads or hairs 	<ul style="list-style-type: none"> - Refer to the operation in P.6 - Press "Mid/off" to stop running and start the vacuum cleaner again - Use after cleaning hair
The indicator light is off /flashing when charging	<ul style="list-style-type: none"> - Charging cable is not firmly connected - Charge immediately after the product stops running 	<ul style="list-style-type: none"> - Reconnect the charging cable - To protect the circuit, wait patiently
The charging time becomes longer	<ul style="list-style-type: none"> - The ambient temperature is too high or too low - Charge immediately after use 	<ul style="list-style-type: none"> - Please Charge in a suitable environment - To protect the circuit, wait patiently
The suction force becomes weak during operation	<ul style="list-style-type: none"> - Excessively high service temperature and continuous operation - Use the automatic mode - Continuous operation under the condition that the filter screen/ suction port is blocked 	<ul style="list-style-type: none"> - Please charge in a suitable environment - Not an abnormality when the suction force becomes weaker due to less garbage detected - Use after cleaning
The indicator light is blue	<ul style="list-style-type: none"> - Continuous operation under the condition that the filter cotton is blocked 	<ul style="list-style-type: none"> - Use after cleaning (Refer to the operation in P.11)

Troubleshooting and specification

Product specifications

Battery	Rechargeable Li-ion Battery 18V \equiv 2.2 Ah
Dust collection capacity	Approx. 0.13 L
Charging time	Approx. 2.5 h
Discharge time	High about 10min Mid about 25min Low about 35min (including electric floor brush) about 40min (excluding electric floor brush) (initial use of the battery, room temperature: 20 °C) *Depending on the material of the floor, the amount of garbage in the place to be cleaned and the service environment.
Charging input	100-240 V ~ 50-60 Hz 0.6 A
Charging output	20.2 V \equiv 1.25 A
Power cord length	1.8 m

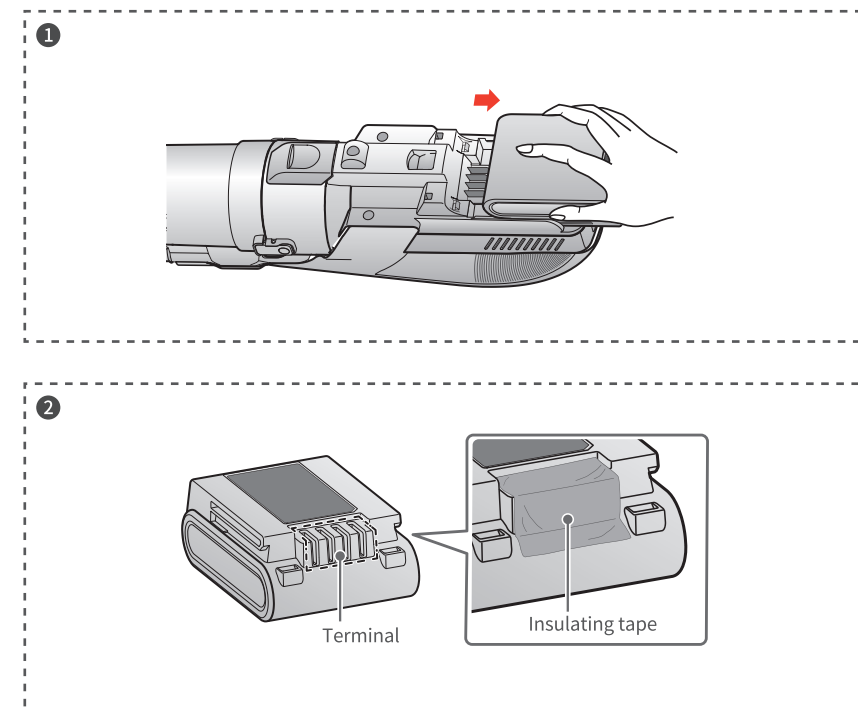
Troubleshooting and specification

Product disposal

Except for discarded products, it is strictly forbidden to disassemble batteries without permission to avoid danger. It is strictly forbidden to reuse the discarded battery. Follow the following steps strictly when you are to discard the product. Disassemble the battery after it runs out.



- 1 After discharging until it no longer runs, press the slider and hold it down to slide backward to take out the battery;
- 2 Cover the terminal with insulating tape.



- Recycling of batteries

Waste batteries are important resources. When discarding the product, please do not discard batteries at will.

Handle it properly according to government regulations.

To prevent short circuit, be sure to stick adhesive tape on the metal terminal for insulation treatment.