

TOSHIBA



Safety Precautions

Operating Instructions

Installation Instructions

Care and Cleaning

Troubleshooting Tips

Remote Control and App
Instructions

USER MANUAL

Window Type
Room Air Conditioner

RAC-WK1823ESCWRU (18,000 BTU)

Warning notices: Before using this product, please read this manual carefully and keep it for future reference.

The design and specifications are subject to change without prior notice for product improvement. Consult with your dealer or the manufacturer for details.

Owner's Manual

Safety Precautions	3
Operating Instructions	8
Installation Instructions	12
Care and Cleaning	21
Troubleshooting Tips	22
Remote Control and App Instructions	24

Read This Manual

Inside you'll find many helpful hints on how to use and maintain your air conditioner properly. Just a little preventive care on your part can save you a great deal of time and money over the life of your air conditioner. You'll find many answers to common problems in the troubleshooting tips - you should be able to fix most of them quickly before calling service. These instructions may not cover every possible condition of use, so common sense and attention to safety is required when installing, operating and maintaining this product.

CAUTION

- This appliance is not intended for use by persons (including children) with reduced physical, sensory or mental capabilities or lack of experience and knowledge, unless they have been given supervision or instruction concerning use of the appliance by a person responsible for their safety.
- For support, please call the Service Center at 1-855-204-5313.
- Children should be supervised to ensure that they do not play with the air conditioner.
- The appliance shall be installed in accordance with national wiring regulations.
- Do not operate your air conditioner in a humid room such as a bathroom or laundry room.

SAFETY PRECAUTIONS

To prevent injury to the user or other people and property damage, the instructions shown here must be followed. Incorrect operation due to ignoring of instructions may cause harm or damage. The level of risk is shown by the following indications.

WARNING

This symbol indicates a hazardous situation which, if not avoided, could result in death or serious injury.

CAUTION

This symbol indicates a hazardous situation, which, if not avoided, could result in minor or moderate injury.

NOTICE

This symbol addresses practices not related to physical injury.

WARNING

- Be sure the air conditioner has been securely and correctly installed according to the installation instructions in this manual. Save this manual for possible future use in removing or installing this unit.
- Plug in power cord plug properly.
Otherwise, it may cause electric shock or fire due to excess heat generation.
- Do not modify power cord length or share the outlet with other appliances as it may cause electric shock or fire due to overheating.
- Always ensure effective grounding.
Incorrect grounding may cause electric shock.
- Unplug the unit if you notice unusual sounds or smells or smoke coming from it.
A damaged product may cause fire and electric shock.
- Ventilate room before operating the air conditioner if there is a gas leakage from another appliance.
- Do not operate or stop the unit by inserting or pulling out the power cord plug.
- Do not operate with wet hands or in very humid environments.
It may cause electric shock.
- Do not allow water to come into contact with any electric parts.
It may cause failure or electric shock.
- Do not use the socket if it is loose or damaged.
It may cause fire and electric shock.
- Do not use or keep the power cord close to heating appliances.
It may cause fire and electric shock.
- Do not use any devices or materials for installation that are not recommended in this manual.
- Do not disassemble or modify unit.
It may cause failure and electric shock.

WARNING

- Do not damage or use an alternate power cord.
It may cause fire and electric shock.
If the power cord is damaged, it must be replaced by the manufacturer or an authorized service center or a similarly qualified person in order to avoid a hazard.
- Do not direct airflow straight into persons to avoid possible health hazard.
- Do not open the unit during operation.
It may cause electric shock.
- Do not use the power cord near flammable gas or combustibles, such as gasoline, benzene, thinner, etc.
It may cause an explosion or fire.
- Do not let children hang on the air conditioner or bracket.
A serious injury may occur.
- Avoid fire hazard or electric shock. Do not use an extension cord or an adaptor plug. Do not remove any prongs from the power cord.
- Be sure the air conditioner is properly grounded. To minimize shock and fire hazards, proper grounding is important. The power cord is equipped with a three-prong grounding plug for protection against shock hazards.
- Your air conditioner must be used in a properly grounded wall receptacle. If the wall receptacle you intend to use is not adequately grounded or protected by a time delay fuse or circuit breaker, have a qualified electrician install the proper receptacle. Ensure the receptacle is accessible after the unit installation.
- Be sure the electrical service is adequate for the model you have chosen. This information can be found on the serial plate, which is located on the side of the cabinet and behind the grille.
- Do not drink the drain water. It may contain mold and bacteria that can lead to death if ingested.





CAUTION

- When the air filter is to be removed, do not touch the metal parts of the unit.
It may cause injury.
- When the unit needs cleaning, switch off, and turn off the circuit breaker.
Do not clean unit when power is on as it may cause fire, electric shock or injury.
- Do not place obstacles around air inlets or inside of air outlet.
It may cause failure or accident.
- Clean with a soft cloth only. Do not use strong detergents that contain wax or thinners as it may damage the product.
- Use caution when unpacking and installing. Sharp edges could cause injury.
- Do not clean the air conditioner with water.
Water may enter the unit and degrade the insulation which could lead to electric shock.

**CAUTION**

- Do not put a pet or house plant where it will be exposed to direct air flow. This could injure the pet or harm the plant.
- Hold the plug by the head of the power plug when taking it out. Otherwise, it may cause electric shock and damage.
- Ensure that the installation is properly secured to prevent the product from potentially falling.
- Do not place heavy objects on the power cord and ensure that the cord is not compressed. Otherwise, there is danger of fire or electric shock.
- If water is spilled on the unit, turn off the unit and switch off the circuit breaker. Isolate supply by taking the power-plug out and contact a qualified service technician.
- Do not use near gas stove or other gas burning appliances, as air flow may affect gas combustion.
- Do not use for any purpose other than room comfort. Do not use this air conditioner to preserve precision devices, food, pets, plants, and art objects. It may cause deterioration.
- Turn off the main power switch if the unit is not to be used for an extended time.
- Always insert the filters securely. Clean filter once every two weeks. Operation without filters may cause failure.

EXPLANATION OF SYMBOLS DISPLAYED ON THE UNIT

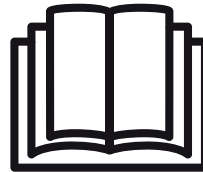
	WARNING	This symbol shows that this appliance used a flammable refrigerant. If the refrigerant is leaked and exposed to an external ignition source, there is a risk of fire.
	CAUTION	This symbol shows that the operation manual should be read carefully.
	CAUTION	This symbol shows that a service personnel should be handling this equipment with reference to the installation manual.
	CAUTION	This symbol shows that information is available such as the operating manual or installation manual.

WARNING

- Do not try to accelerate the defrosting process or methods of cleaning that are not recommended by the manufacturer.
- The appliance shall be stored in a room without a continuously operating ignition source (for example, open flames or an operating gas appliance) or an ignition source (for example, an operating electric heater) close to the appliance. The appliance shall also be stored in a room without ignition sources.
- Do not pierce or burn.
- Be aware that the refrigerants may not contain an odor.
- Keep ventilation openings clear of obstruction.
- Unit is only to be serviced by a Toshiba authorized servicer, please call Customer Service at 1-855-204-5313 for support.
- Flammable refrigerant R32 is used within air conditioner. Please follow the instructions carefully to handle, install, clean, and service the air conditioner to avoid damage or hazard. Do not dispose of air conditioner in regular trash. Contact qualified agency for proper disposal.
- No open fire or devices that generate spark/arcing shall be around the air conditioner to avoid causing ignition of the flammable refrigerant used. Please follow the instructions carefully to store or maintain the air conditioner to prevent mechanical damage from occurring.

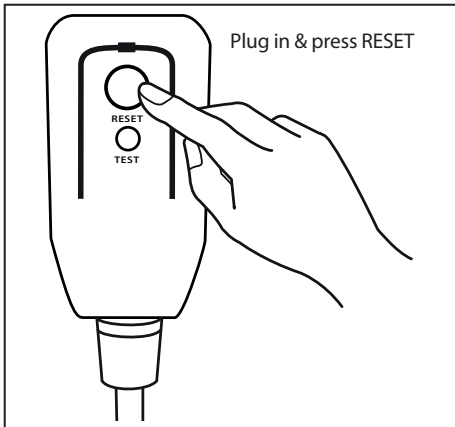


Caution: Risk of fire/
flammable materials
(Required for R32/R290 units only)



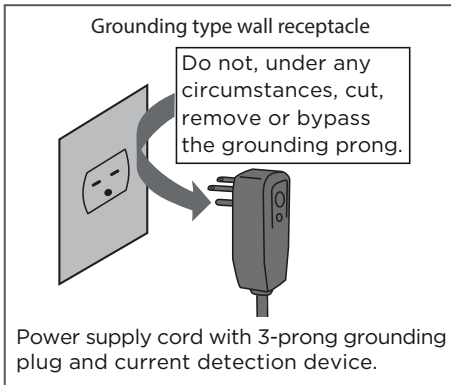
IMPORTANT NOTE: Read this manual carefully before installing or operating your new air conditioning unit. Make sure to save this manual for future reference.

Operation of Current Device



The power supply cord contains a current measuring device that detects damage to the power cord. Test your power supply cord as follows:

1. Plug in the air conditioner.
2. The power supply cord will have TWO buttons on the plug head. Press the TEST button. You will notice a click as the RESET button pops out.
3. Press the RESET Button. You will notice a click as the button engages.
4. The power supply cord is now supplying electricity to the unit. (On some products this is also indicated by a light on the plug head.)



NOTICE

The power supply cord with this air conditioner contains a current detection device designed to reduce the risk of fire.

In the event that the power supply cord is damaged, it can not be repaired. It must be replaced with a cord from the manufacturer.

NOTICE

- Do not use this device to turn the unit on or off.
- Always make sure the RESET button is pushed in for correct operation.
- The power supply cord must be replaced if it fails to reset when either the TEST button is pushed, or it can not be reset. Please contact Customer Service.

OPERATING INSTRUCTIONS

Normal Sounds

RAC-WK18 Models

Sound of Rushing Air

In front of the unit, you may hear the sound of rushing air being moved by the fan.

High Pitched Sound

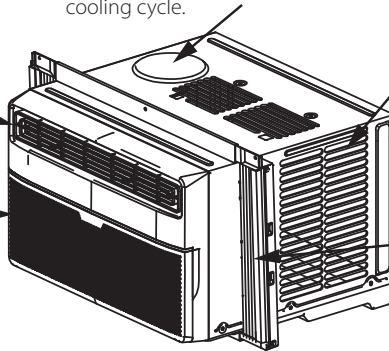
High efficiency compressors may have a high pitched sound during cooling cycle.

Trickling Sound

Droplets of water hitting condenser during normal operation may cause a trickling sound.

Gurgle/Hiss

Gurgling or hissing noises may be heard due to refrigerant flowing through evaporator during normal operation.



Vibration

Unit may vibrate and make noise because of poor wall or window construction or incorrect installation.

NOTICE

All the pictures in this manual are for illustrative purposes only. The actual appearance of the air conditioner you purchased may vary slightly, but its operation and functions will be similar.

Air Conditioner Features (general)



WARNING

To reduce the risk of fire, electrical shock, or injury to people or property, read the SAFETY PRECAUTIONS before operating this appliance.

This air conditioner is designed to be operated under the following conditions:

Cooling Operation	Outdoor temp.:	64 ~ 109°F / 18 ~ 43°C
	Indoor temp.:	62 ~ 90°F / 17 ~ 32°C

NOTICE

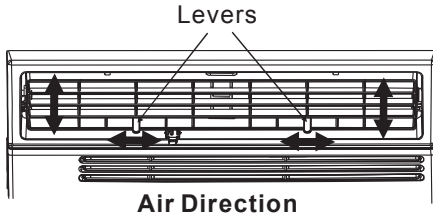
- The relative humidity of room should be less than 80%. If the unit is used in a condition with a relative humidity over 80%, there will be condensed water on the surface of the unit.
- Performance may be reduced outside of these operating temperatures.

NOTICE

Always wait 3 minutes when turning the unit off and then on again, or when changing from cool to fan and back to cool. This prevents damage from occurring to the compressor.

To begin operating the air conditioner, follow these steps:

1. Set the temperature to the coldest setting.
2. Set the control to HIGH COOL.
3. Adjust the louver for comfortable air flow (see Air Directional Louvers).
4. Once the room feels cool, adjust to the temperature you find most comfortable.
5. Make sure that the air flow inside and outside are not obstructed.

Air Directional Louvers

The louvers will allow you to direct the air flow Left or Right, or Up and Down (optional on some models) throughout the room as needed.

Move the Levers from side to side until the desired LEFT/RIGHT direction is obtained.

You can also move the LEFT lever to adjust air flow UP/DOWN as needed.

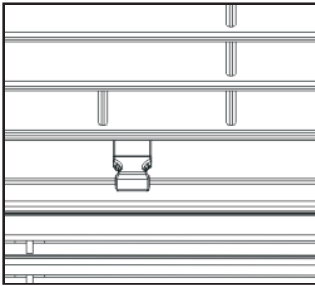
FRESH AIR VENT CONTROL

Fig. A (VENT CLOSED)

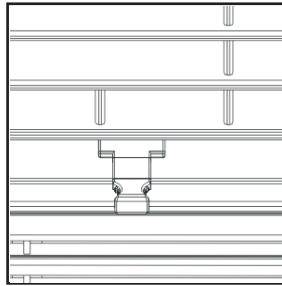


Fig. B (VENT OPEN)

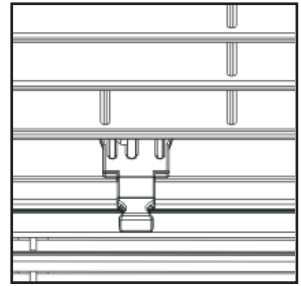


Fig. C (VENT & EXHAUST OPEN)

The Fresh Air Vent allows the air conditioner to:

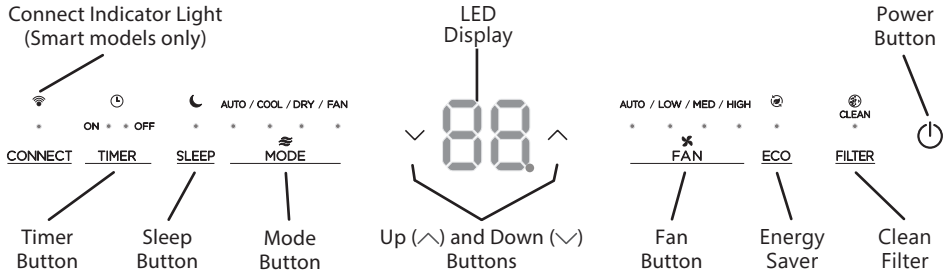
1. Recirculate inside air – Vent Closed (See Fig. A)
2. Draw fresh air into the room - Vent Open (See Fig. B)
3. Exchange air from the room and draw fresh air into the room - Vent and Exhaust Open (See Fig. C).

Air Conditioner Features

Electronic Control Operating Instructions

Before you begin, thoroughly familiarize yourself with the control panel as shown below and all its functions, then follow the symbol for the functions you desire. The unit can be controlled by the unit control alone or with the remote.

Key Pad Features



TO TURN UNIT ON OR OFF:

Press Power button to turn unit on or off.

NOTE: The unit will automatically initiate the Energy Saver function under Cool, Dry, Auto modes.

TO CHANGE TEMPERATURE SETTING:

Press UP/DOWN button to change temperature setting.

NOTE: Press or hold either UP (^) or DOWN (v) button until the desired temperature is seen on the display.

This temperature will be automatically maintained anywhere between 62°F (17°C) and 86°F (30°C). If you want to display the actual room temperature, see To Operate on Fan Only section.

TO ADJUST FAN SPEEDS:

Press the Fan Button to change the fan speed between four settings – Auto, Low, Med, or High. The fan will operate on Low Speed automatically when set to Dry Mode.

On Auto mode, the fan operates on Auto fan speed automatically and cannot be changed.

SLEEP FEATURE:

Press Sleep button to initiate the sleep mode. In this mode the selected temperature will increase by 2°F (1°C) 30 minutes after the mode is selected.

The temperature will then increase by another 2°F / 1 (or 2)°C after an additional 30 minutes. This new temperature will be maintained for 7 hours before it returns to the originally selected temperature.

The Sleep mode program can be cancelled at any time during operation by pressing the Sleep button again.

CHECK FILTER FEATURE:

The Check Filter feature is a reminder to clean the air filter for a more efficient operation. The light will illuminate after 250 hours of operation. After cleaning the filter, press the Filter button to reset the Check Filter function turning the light off.

ENERGY SAVER FEATURE (ECO):

Press Energy Saver button to initiate this function. This function is available on COOL, DRY, AUTO (only AUTO-COOLING and AUTO-FAN) modes. The fan will continue to run for 3 minutes after the compressor shuts off. The fan then cycles on for 2 minutes at 10 minute intervals until the room temperature is above the set temperature, at which time the compressor turns back on and Cooling resumes.

TO SELECT THE OPERATING MODE:

To choose the operating mode, press the Mode button. Each time you press the button, a mode is selected in a sequence that goes from Auto, Cool, Dry and Fan.

The indicator light adjacent will be illuminated and remain on once the mode is selected.

When the unit is turned off and back on via the power button, the unit will automatically switch on the Energy Saver function for the following modes:

Cool, Dry, Auto.

When operating on Auto mode:

- When you set the air conditioner to AUTO mode, it will automatically select cooling or fan only operation depending on what temperature you have selected and the current room temperature.
- The air conditioner will control room temperature automatically according to temperature you've set.
- The fan speed is automatically controlled based on the temperature setting and room temperature and cannot be adjusted.

When operating on Fan Only:

- Use this function when cooling is not desired, such as for room air circulation or to exhaust stale air (on some models, remember to open the vent during this function, but keep it closed during cooling for maximum cooling efficiency.) You can choose any fan speed you prefer.
- During this function, the display will show the actual room temperature, not the set temperature as in the cooling mode.
- In Fan Only mode, the temperature is not adjusted.

When operating on Dry mode:

- In this mode, the air conditioner will generally function as a dehumidifier. Since the conditioned space is a closed or sealed area, some degree of cooling will occur.

TIMER: AUTO START/STOP FEATURE:

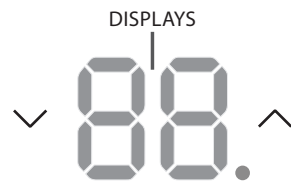
- When the unit is on, press the Timer button. The "Timer off" LED indicator light will illuminate indicating the Auto stop feature has been activated.
- When the unit is off, press the Timer button. The "Timer on" LED indicator light will illuminate indicating the Auto start feature has been activated.
- When the time of TIMER ON is displayed, press the Timer button again. The TIMER OFF indicator light illuminates. It indicates the Auto Stop program has initiated.
- Press or hold the UP (^) or DOWN (v) button to change the Auto time by 0.5 hour increments, up to 10 hours, then at 1 hour increments up to 24 hours. The control will count down the time remaining until start.

- The selected time will register in 5 seconds, and the system will automatically revert back to display the previous temperature setting or room temperature when the unit is on. (when the unit is off, there is no display.)
- Turning the unit ON or OFF at any time or adjusting the timer setting to 0.0 will cancel the Auto Start/Stop timed program.

NOTICE

To cancel timer operation, press and hold the timer button for 2 seconds until the beep/buzzer is heard.

Displays



DISPLAYS:

Shows the set temperature in "°C" or "°F" and the Auto-timer settings. While on Fan Only mode, it shows the room temperature. If the room temperature is too high or low, it will display "HI" or "LO".

Error codes:

- AS** - Room temperature sensor error - Unplug the unit and plug it back in. If error repeats, call for service.
- ES** - Evaporator temperature sensor error - Unplug the unit and plug it back in. If error repeats, call for service.

NOTICE

- To change the AC between Celsius and Fahrenheit scales, press the temperature control arrows at the same time for 5 seconds.
- If the unit shuts off unexpectedly due to the power outage, it will restart with the previous function setting automatically when the power resumes.

INSTALLATION INSTRUCTIONS

⚠ WARNING Before You Begin

Read these instructions completely and carefully.

- **IMPORTANT** - Save these instructions.
- **IMPORTANT** - Observe all governing codes and ordinances.

We recommend that two people install this product.

Proper installation is the responsibility of the installer.

Product failure due to improper installation is not covered under the Limited Warranty.

You **MUST** use all supplied parts and use proper installation procedures as described in these instructions when installing this air conditioner.

Do not, under any circumstances, cut or remove the third (ground) prong from the power cord.

Do not change the plug on the power cord of the air conditioner.

Aluminum house wiring may present special problems - consult a qualified electrician.

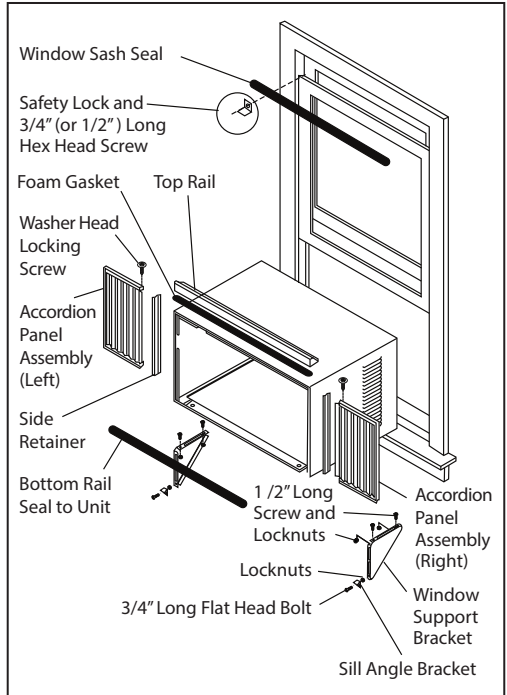
When handling the unit, be careful to avoid cuts from sharp metal edges and aluminum fins on front and rear coils. Please wear cut-resistance gloves

NOTICE

Save carton and these Installation Instructions for future reference.

The carton is the best way to store the unit when not in use.

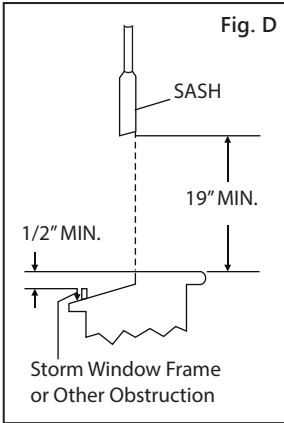
Preliminary Instructions



Perform a preliminary check of your installation per Preliminary Instruction steps 1-5.

Unit Height:	17-5/8"
Unit Width:	23-5/8"
Min. Window Opening:	18-1/2"
Min. Window Width:	28"
Max. Window Width:	40-1/2"

Preliminary Instructions (cont.)



1. Check window opening size - the mounting parts furnished with this air conditioner are made to install in a wooden sill double-hung window. The standard parts are for window dimensions listed above. Open sash to a minimum of 19" (483 mm). See Fig. D.
2. Check condition of window - all wood parts of window must be in good shape and able to firmly hold the needed screws. If not, make repairs before installing unit.
3. Check for anything that could block airflow - check the area outside of window for things such as shrubs, trees, or awnings. Inside, be sure furniture, drapes, or blinds will not stop proper airflow.
4. Check the available electrical service - Power supply must be the same as that shown on the unit serial nameplate. Power cord is 48 in long. The outlet should be within reach of the power cord.
5. Carefully unpack air conditioner - Remove all packing material. Protect floor or carpet from damage. Two people should be used to move and install unit.

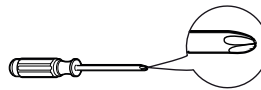
Hardware (Packed with the unit)

	7/16" Locking screw and Flat washer for accordion panels	2 ea.
	3/4" (or 1/2") Long Hex-head Screw	7
	Safety Lock	1
	1/2" Long screw and Locknut	4 ea.
	3/4" Long Flathead Bolt and Locknut	2 ea.
	Sill Angle Bracket	2
	Long hex-head locking screw for top rail, side retainer 5/16" Length	10
	Cabinet Foam Insert	2
	Window sash seal foam	1
	Locking screw #10 X 1/4" panhead Phillips screws (for Vinyl-Clad window)	2
	Weather stripping (10" * 3/4" * 1/12")	5
	Safety Lock (for Vinyl-Clad window)	2
	Accordion Panel Insulation	2
	Lock Frame (For Wooden windows) (on some models)	2
	3/4" Long Screw (on some models)	2

NOTICE

Accordion Panel Insulation and weather stripping is for ENERGY STAR models only.

Tools You Will Need

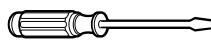


Phillips Screwdriver



Level

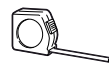
Tools You May Use



Flathead Screwdriver



Pencil

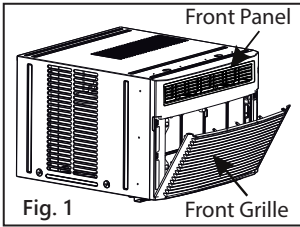


Ruler or tape measure

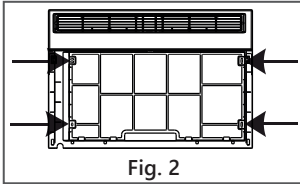


Scissors or knife

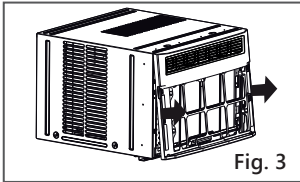
1. Remove Air Conditioner from Cabinet



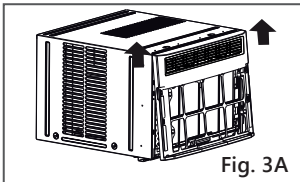
- A. Pull down front grille and remove filter. (See Fig. 1).
- B. Lift front grille upwards and place to one side.



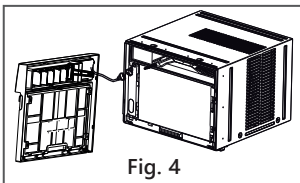
- C. Locate the four front screws and remove. These screws will be needed to re-install the front panel (see Fig. 2).



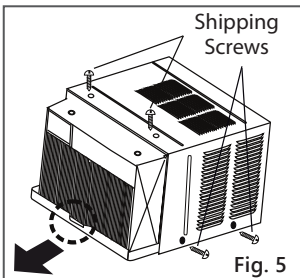
- D. Push metal cabinet side to release plastic tabs on each side of front panel (see Fig. 3).



- E. Gently lift front panel off unit (see Fig. 3A).



- F. Disconnect the connector plug of the display panel from the unit and place front panel to one side (see Fig. 4).



- G. Remove shipping screws from top of unit and also on the side by the base if installed (see Fig. 5).
- H. Hold the cabinet while pulling on the base pan handle, and carefully remove the unit.

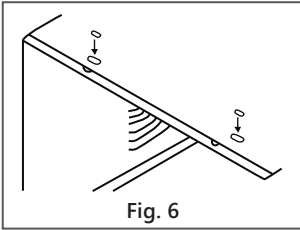


Fig. 6

- I. Add two foam inserts to holes in top of cabinet where shipping screws were removed from (see Fig. 6).

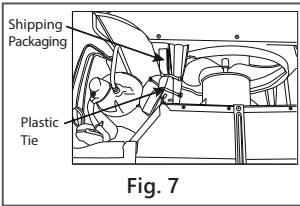


Fig. 7

- J. Your unit may come with internal packaging. This packaging must be removed prior to installing the air conditioner back into the cabinet. (see Fig. 7).

2. Prepare the Cabinet

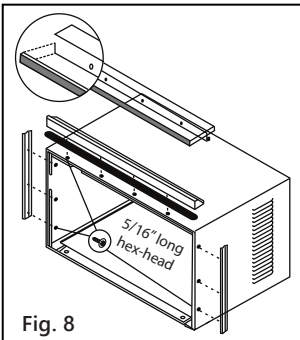


Fig. 8

- A. Place cabinet on floor, a bench, or a table.
 B. Attach foam gasket to top rail above holes as shown in Fig. 6.
 C. Install top rail and side retainers to cabinet as shown in Fig. 8 (10 screws).

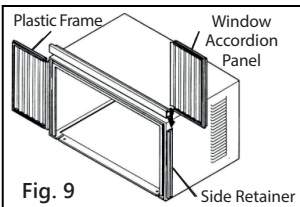


Fig. 9

- D. Slide 1 section of window accordion panel into side retainer on the side of the cabinet (see Fig. 9 & Fig. 10). Do both sides.
 E. Insert top and bottom legs of window accordion panel into channel in the top rail and bottom rail. Do both sides.

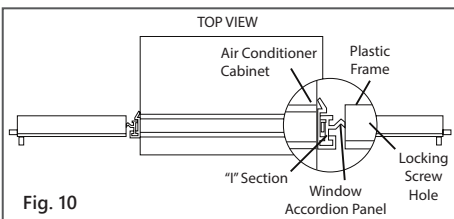
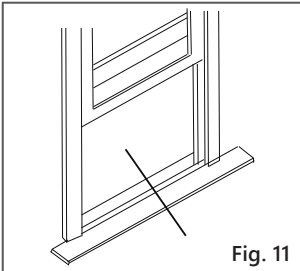


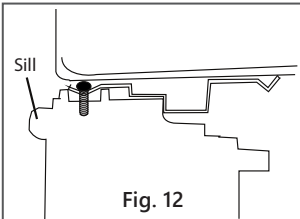
Fig. 10

- F. Insert washer head locking 7/16" screws (2) into holes in top leg of accordion panel frame (see step 6). Do not completely tighten. Allow leg to slide freely. Screws will be tightened after section 6.

3. Install Cabinet

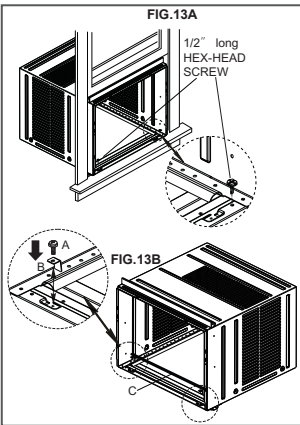


- A. Open window and mark center of window sill as shown (Fig. 11).



- B. Place the cabinet in the window with the cabinet bottom firmly seated over the window sill as shown. Bring window down temporarily behind top rail to hold cabinet in place (Fig. 12).

- C. Shift cabinet left or right as needed to line up center of cabinet on center line marked on sill.



- D. For wooden window: Fasten cabinet to window inner sill with two 1/2" long hex head screws into holes (Fig.13A). (You may wish to pre-drill pilot holes.)
For Vinyl-Clad window: Place two safety locks into the holes located in the bottom of the cabinet and drive two #10X1/4" pan-head Phillips locking screws through the safety locks into the cabinet as shown (Fig.13B).

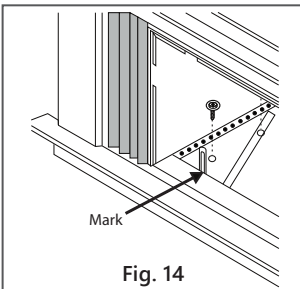
A. #10 X 1/4" pan-head Phillips screws

B. Safety Lock (Only for Vinyl-Clad Window)

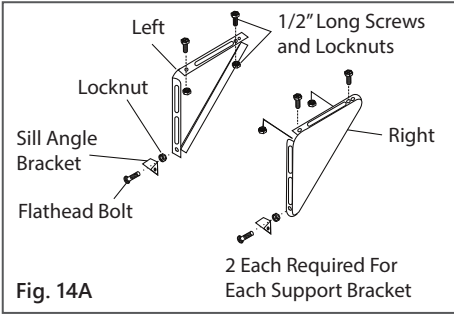
C. Bottom Rail Foam Seal

- E. Remove protective strip from adhesive side of Bottom Rail Foam Seal. Apply Seal over screws fastening bottom rail to window inner sill.

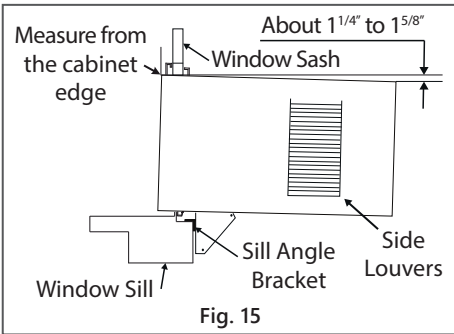
4. Install Support Brackets



- A. Hold each support bracket flush against outside of sill, and tight to bottom of cabinet as shown in Fig. 14. Mark brackets at top level of sill, and remove.

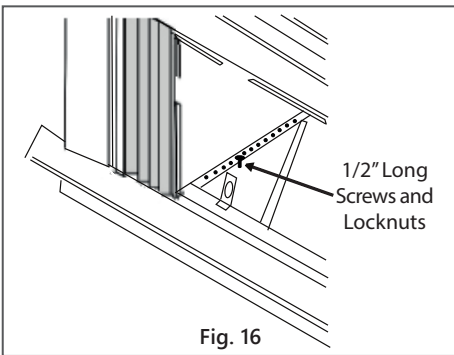


- B. Assemble sill angle bracket to support brackets at the marked position (Fig. 14A). Hand tighten only so adjustments can be made later.



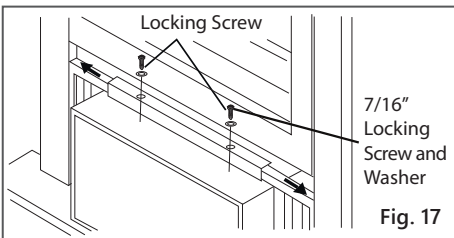
NOTICE

Check that air conditioner is tilted back about 1-1/4 in to 1-5/8 in (tilted about 3° to 4° downward to the outside). After proper installation, condensate should not drain from the overflow drain hole during normal use. Adjust the slope if otherwise (Fig. 15).

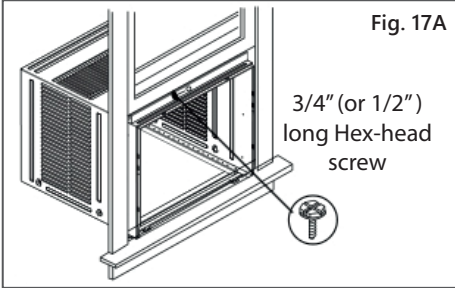


- C. Install support brackets (with sill angle brackets attached) to correct hole in bottom of cabinet as shown in Fig. 16.
- D. Tighten all 6 bolts securely.

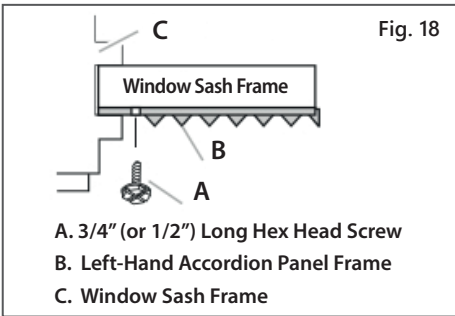
5. Secure Accordion Panels



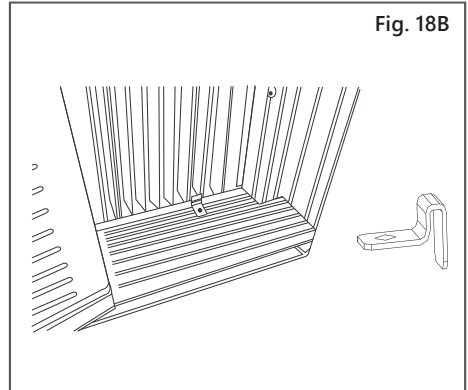
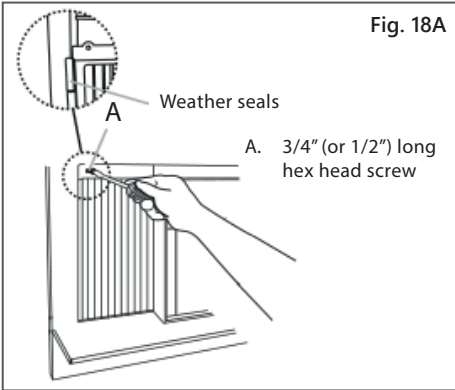
- A. Carefully raise window to expose accordion panel locking screws. Loosen screws so accordion panels slide easily.
- B. Extend panels to fill window opening completely. Tighten locking screws on top (Fig. 17).
- C. Close window behind top rail.



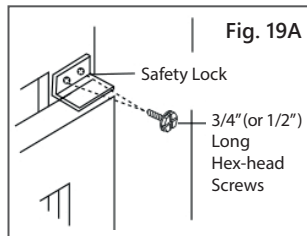
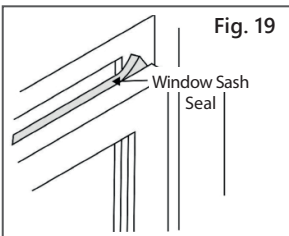
- D. Use a 3/32" drill bit to drill a starter hole through the middle hole of the top rail into the window sash frame. Drive one 3/4" (or 1/2") HEX-HEAD locking screw through the hole just drilled as shown (Fig. 17A).



- E. Extend the accordion panels out against the window frame.
- F. Use a 1/8" drill bit to drill a starter hole through the hole in the top leg of each accordion panel frame into the window sash (Fig. 18 and Fig. 18A). Connect with one 3/4" (or 1/2") long hex head screw.
- G. Attach the Lock Frames to the window sill using two 3/4 (19mm) screws (Fig.18B) (on some models).



6. Install Window Sash Seal and Safety Lock

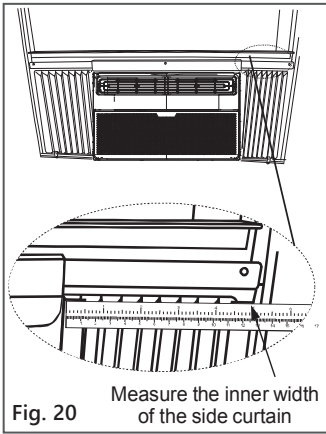


- A. Trim sash seal to fit window width. Insert into space between upper and lower sashes (Fig. 19).
- B. Attach right angle safety lock (Fig. 19A).

7. Install Air Conditioner into Cabinet

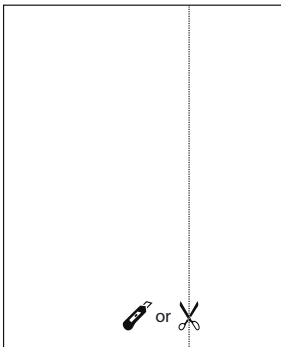
- A. Lift air conditioner and carefully slide into cabinet leaving 6" protruding.
- B. DO NOT press or apply pressure to controls or finned coils.
- C. Be sure chassis is firmly seated towards rear of cabinet.
- D. Installation of front is the reverse of removal outlined in Section 1.

8. Install Insulation and Weather Stripping (ENERGY STAR models only)



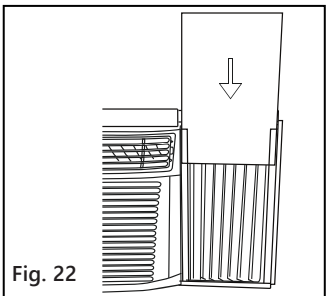
In order to minimize air leaks and ensure optimal insulation, it is necessary to install the included accordion panel insulation to the side curtain. Follow the instructions below.

- A. After the unit is installed in the window, measure the inner width of the side curtain as shown (Fig. 20).



- B. Mark a line on the provided accordion panel insulation that is 1/8" (3 mm) less than the measured width in step 1, then cut the Accordion Panel Insulation along the line (Fig. 21).

Fig. 21



- C. Slide the accordion panel insulation into the side curtain. The side with the pattern should facing indoors. (Fig. 22).
- D. Repeat on the other side.

Fig. 22

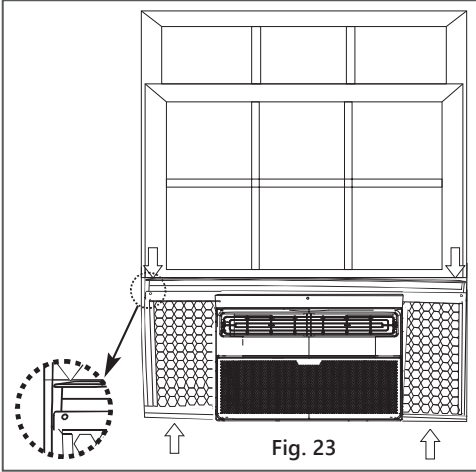


Fig. 23

- E. In order to minimize air leaks between the room air conditioner and the window opening, trim the weather stripping to the proper length, peel off the protective backing and plug any gaps if needed (Fig. 23).

If AC is Blocked by Storm Window

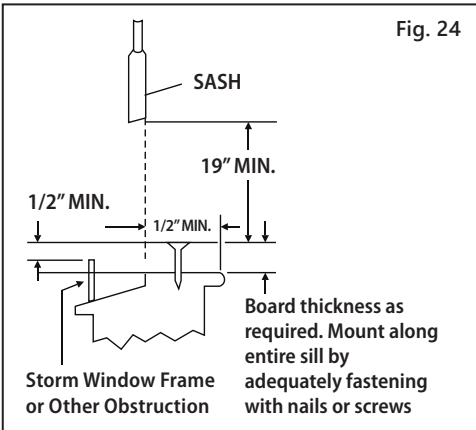


Fig. 24

Check your storm windows – if your storm window frame does not allow for the clearance required, correct it by either removing the storm window - if able, or by adding a piece of wood as shown in Fig. 24.

Removing AC From Window

- Turn AC off, and disconnect power cord.
- Remove sash seal from between windows, and unscrew safety lock.
- Remove screws installed through frame and frame lock.
- Remove the accordion panel insulation (ENERGY STAR models only).
- Slide the accordion panels into the rails to close.
- Keeping a firm grip on air conditioner, raise the sash and carefully remove.
- Be careful not to spill any standing water while lifting unit from window. Store parts WITH air conditioner.

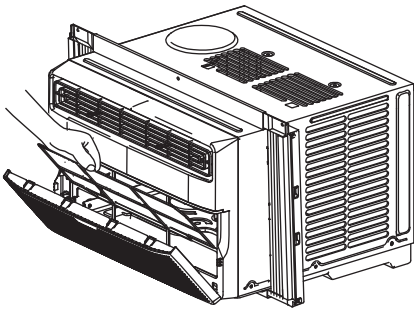
CARE AND CLEANING

CAUTION

Clean your air conditioner occasionally to keep it looking new. Be sure to unplug the unit before cleaning to prevent shock or fire hazards.

Air Filter Cleaning

Models RAC-WK18



The air filter should be checked at least once a month to see if cleaning is necessary. Trapped particles in the filter can build up and cause an accumulation of frost on the cooling coils.

- Push the vent handle to the Vent Closed position (where applicable).
- Open the front panel.
- Grasp the filter by the center and pull up and out.
- Wash the filter using liquid dishwashing detergent and warm water. Rinse filter thoroughly.
- Gently shake excess water from the filter. Be sure the filter is thoroughly dry before replacing.
- You may also vacuum the filter clean rather than washing.

NOTICE

Never use hot water over 104°F (40°C) to clean the air filter. Never attempt to operate the unit without the air filter.

Cabinet Cleaning

- Be sure to unplug the air conditioner to prevent shock or fire hazard. The cabinet and front may be dusted with an oil-free cloth or washed with a cloth dampened in a solution of warm water and mild liquid dishwashing detergent. Rinse thoroughly and wipe dry.
- Never use harsh cleansers, wax or polish on the cabinet front.
- Be sure to wring excess water from the cloth before wiping around the controls. Excess water in or around the controls may cause damage to the air conditioner.
- Plug in air conditioner.


Winter Storage

If you plan to store the air conditioner during the winter, remove it carefully from the window according to the installation instructions. Cover it with plastic or return it to the original carton.

TROUBLESHOOTING TIPS

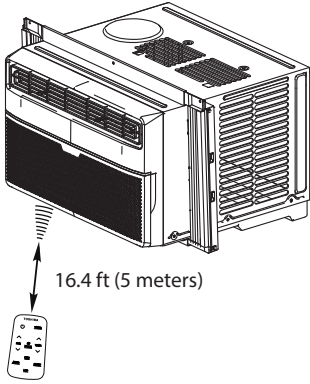
Before calling for service, review this list. It may save you time and expense. This list includes common occurrences that are not the result of defective workmanship or materials in this appliance.

Problem	Solution
Air conditioner does not start.	Wall plug disconnected. Push plug firmly into wall outlet.
	Circuit breaker tripped. Reset circuit breaker.
	Check if the light on the plug is on. If it is off, press the RESET button.
	Power is OFF. Turn power ON.
	Unit turned off and then on quickly. Turn unit off and wait 3 minutes before restarting.
Air from unit does not feel cold enough.	Room temperature below 62°F (17°C). Cooling may not occur until room temperature rises above 62°F (17°C).
	Temperature sensor behind the air filter is touching the cold coil. Try to move it so it does not contact the cold coil.
	Reset to a lower temperature.
	Compressor shut-off by changing modes. Wait approximately 3 minutes and listen for compressor to restart when set in the COOL mode.
	Check for potential obstructions blocking the outdoor intake/exhaust. Clear any obstructions.
Air conditioner cooling, but room is too warm- ice forming on cooling coil behind air filter.	Outdoor temperature below 64°F (18°C). To defrost the coil, set to FAN ONLY mode.
	Air filter may be dirty. Clean filter. Refer to Care and Cleaning section. To defrost, set to FAN ONLY mode.
	Thermostat set too cold for night-time cooling. To defrost the coil, set to FAN ONLY mode. Then, set temperature to a higher setting.
Air conditioner cooling, but room is too warm- NO ice forming on cooling coil behind air filter.	Dirty or restricted air filter. Clean filter. Refer to Care and Cleaning section. To defrost, set to FAN ONLY mode.
	Temperature is set too high, set temperature to a lower setting.
	Air directional louvers positioned improperly. Position louvers for better air distribution.
	Front of unit is blocked by drapes, blinds, furniture, etc. - restricts air distribution. Clear obstruction in front of unit.
	Any open doors, windows, or registers may allow cold air to escape. Close any doors, windows, or registers.
	The room may be too warm. Allow additional time to remove "stored heat" from walls, ceiling, floor and furniture.

Problem	Solution
Air conditioner turns on and off rapidly.	Dirty air filter- air restricted. Clean air filter.
	Outside temperature extremely hot. Set FAN speed to a higher setting to bring air past cooling coils more frequently.
	Check for potential obstructions blocking the outdoor intake/exhaust. Clear any obstructions.
Noise when unit is cooling.	Air movement sound. This is normal. If too loud, set to a slower FAN setting.
	Window vibration - poor installation. Refer to installation instructions or check with installer.
Water dripping INSIDE when unit is cooling.	Improper installation. Tilt air conditioner slightly to the outside to allow water drainage. Refer to installation instructions - check with installer.
Water dripping OUTSIDE when unit is cooling.	Unit removing large quantity of moisture from humid room. This is normal during excessively humid days.
Remote sensing deactivating prematurely (some models).	Remote control not located within range. Place remote control within 16,4 feet & 180°, radius of the front of the unit, and pointed in the general direction of the air conditioner unit.
	Remote control signal obstructed. Remove obstruction.
Room too cold.	Temperature setting too low. Increase temperature setting.
Noise when unit starts.	A “da-da” sound may occur for thirty seconds when the unit is turned on due to the compressor starting. It is normal.
Unit will not connect to WiFi or App does not work.	For additional support and troubleshooting tips, follow the link in this QR code: 

REMOTE CONTROL AND APP INSTRUCTIONS

Handling the Remote Control



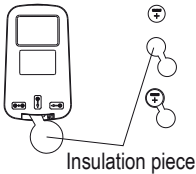
Location of the remote control

Use the remote control within a distance of 16.4 ft (5 meters) from the air conditioner, pointing it towards the receiver. Reception is confirmed by a beep.

NOTICE

- The air conditioner will not operate if curtains, doors or other materials block the signals from the remote control to the unit.
- Prevent any liquid from spilling onto the remote control. Do not expose the remote control to direct sunlight or heat.
- If the infrared signal receiver on the indoor unit is exposed to direct sunlight, the air conditioner may not function properly. Use curtains to prevent the sunlight from falling on the receiver.
- If other electrical appliances react to the remote control, either move these appliances or consult your local dealer.

Replacing the Battery



Insulation piece

NOTICE

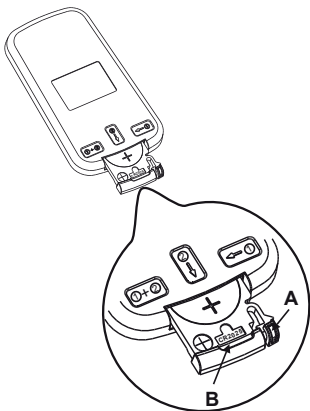
First remove the insulation piece (if available) and then install the battery according to the following steps.

Complete the following steps simultaneously:

1. Slightly press tab "A" in the direction of arrow 1.
2. Pull "B" in the direction of arrow 2.

NOTICE

1. Only use a CR2025 battery.
2. Do not leave the battery in the remote control if it is not going to be used for 2 or 3 months.
3. Dispose of used batteries properly.



Remote Control Specifications

Model	RG15C/E
Rated Voltage	3.0V (Lithium battery CR2025)
Lowest Voltage of CPU Emitting Signal	2.4 V
Signal Receiving Range	16.4 ft (5 m)
Environment	-5 °C ~ 60 °C (23°F ~ 140°F)

Function Buttons

ON/OFF button

Operation starts when this button is pressed and stops when the button is pressed again.

NOTE: If the unit has ENERGY SAVER function, it will initiate automatically the Energy Saver function under Cool, Dry, and Auto (only Auto-Cooling and Auto-Fan) modes.

MODE button

Press this button to select the desired operation mode.

FAN UP button

Press this button to increase the desired fan speed.

FAN DOWN button

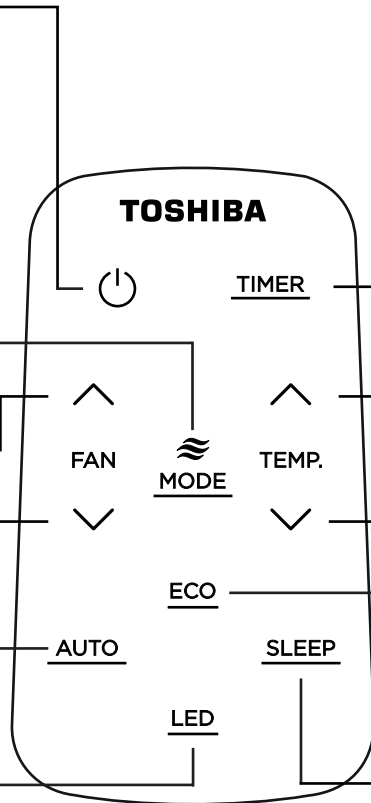
Press this button to decrease the desired fan speed.

AUTO button

Press this button to set fan speed to auto.

LED button

Press this button to turn off the unit display lights. Pressing this button again will turn the display lights back on. Pressing any button on the unit or remote while the display is off will activate the lights for three seconds and then turn back off.



TIMER button

Press this button to activate the "Auto Start" or "Auto Stop" program.

TEMP UP button

Press this button to increase the indoor temperature setting.

TEMP DOWN button

Press this button to decrease the indoor temperature setting.

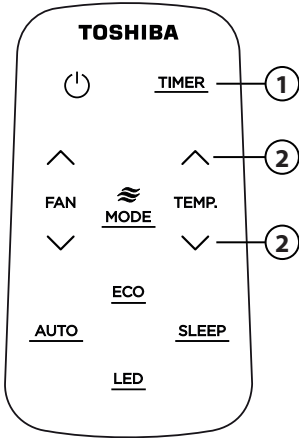
ECO button

Press this button to activate the Energy saving mode. Press it again to stop the function (on some models).

SLEEP button

Press this button to activate the Sleep mode. This function is available on COOL or AUTO mode only and will maintain the most comfortable temperature for you while saving energy. For more details, see "sleep operation" in "USER'S MANUAL."

How to Use the Buttons



Timer operation

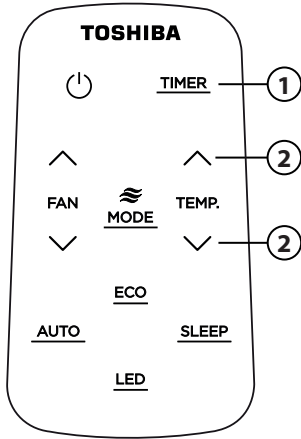
Press the TIMER button to initiate the Auto-start and Auto-stop setting program of the unit.

To set the Auto-start/stop time.

1. Press the TIMER button. When the TIMER ON indicator is displayed on the LED window of the air conditioner, it indicates the Auto Start setting program is initiated. When the TIMER OFF indicator is displayed on the LED window of the air conditioner, it indicates the Auto Stop setting program is initiated.
2. Press or hold the TEMP UP/DOWN to change the Auto time. The control will count down the time remaining until start/stop.
3. The selected time will register in 5 seconds and the air conditioner will automatically revert back to display the previous temperature setting.
4. Turning the unit ON or OFF at any time will cancel the Auto Start/stop function.

NOTICE

To cancel the TIMER setting, push the TIMER button and press or hold the TEMP UP/DOWN until 0 hour is displayed on the LCD window of the air conditioner.



COMBINED TIMER

(Setting both ON and OFF timers simultaneously)

AUTO STOP > AUTO START

(On > Stop > Start operation)

This feature is useful when you want to stop the air conditioner after you go to bed, and start it again in the morning when you wake up or when you return home.

Example:

To stop the air conditioner 2 hours after setting and start it again 10 hours after setting.

1. Press the TIMER button until the TIMER OFF indicator is displayed on the LED display of the air conditioner.
2. Use the TEMP UP/DOWN button to display "2.0" on the LED display of the air conditioner.
3. Press the TIMER button again to display the TIMER OFF on the LED display of the unit.
4. Use the TEMP UP/DOWN button to display "10" on the LED display of the unit.
5. Wait for 5 seconds until the previous display appears in LED window.

AUTO START > AUTO STOP

(Off > Start > Stop operation)

This feature is useful when you want to start the air conditioner before you wake up and stop it after you leave the house.

Example:

To start the air conditioner 5 hours after setting, and stop it 8 hours after setting.

1. Press the TIMER button until the TIMER ON indicator is displayed on the LED display of the air conditioner.
2. Use the TEMP UP/DOWN button to display "5.0" on the LED display of the air conditioner.
3. Press the TIMER button again to display the TIMER OFF on the LED display of the unit.
4. Use the TEMP UP/DOWN button to display "8.0" on the LED display of the unit.
5. Wait for 5 seconds until the previous display appears in LED window.

NOTICE

Changes or modifications not approved by the party responsible for compliance could void users authority to operate the equipment.

DECLARATION OF CONFORMITY

We hereby declare that this AC is in compliance with the essential requirements and other relevant provisions of Directive 1999/5/EC.

SPECIFICATION OF WIRELESS MODULE

Model: US-SK105	Dimensions: 41 x 24 x 5 (mm)
Standard: IEEE 802.11 b/g/n	Operation Temperature: 0°C ~ 45°C / 32°F ~ 113°F.
Antenna Type: Printed PCB Antenna	Operation Humidity: 10% ~ 85%
Frequency: 2400-2483.5MHz	Power Input: DC 5V/300 mA
Maximum Transmitted Power: <20 dBm Max	

PRECAUTIONS

1. Supports operating systems: iOS 7+ or Android 4+.
2. In the event of a OS update, there may be a delay between the update of the OS and a related software update during which your OS may or may not be supported until a new version is released. Your specific mobile phone or problems in your network may prevent the system from working and Toshiba will not be responsible for any problems that could be caused by incompatibility or network issues.
3. This Smart AC only supports WPA-PSK/WPA2-PSK (recommended) encryption.

Please check the Toshiba Lifestyle website, www.toshiba-lifestyle.com, for updated information.

4. To ensure proper scanning of the QR code, your smart phone must have at least a 5-megapixel camera.
5. Due to unstable network connectivity, requests may time out. If this happens, re-run the network configuration.
6. Due to unstable network connectivity, commands may time out. If this happens, the smartphone app and the actual product may display conflicting information. The information displayed on the actual product is always the most accurate available. Refresh the app to re-sync.

NOTICE

Toshiba will not be responsible for any problems that could be caused by incompatibility or network issues, your wireless router and mobile phone.

SYSTEM OVERVIEW

Devices required to use the Smart AC:

1. Smart Phone with compatible iOS or Android system.
2. Wireless Router
3. Smart Air Conditioner

DOWNLOAD AND INSTALL THE APP

Android QR code



Apple QR code



Scan to download app.

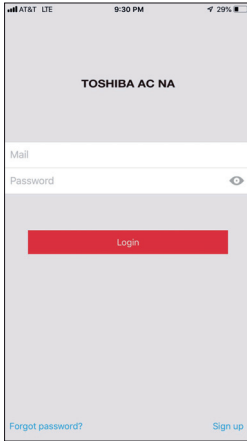
- You can also go to Google Play or App Store and search for Toshiba NA AC. For more information, please refer to Toshiba Lifestyle website: www.toshiba-lifestyle.com.

NOTICE

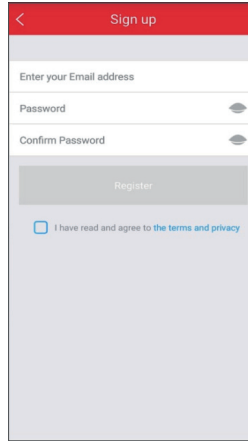
All the images in this manual are for reference only, your product and app may look slightly different. The actual product and app instructions have to be considered.

CREATE YOUR ACCOUNT

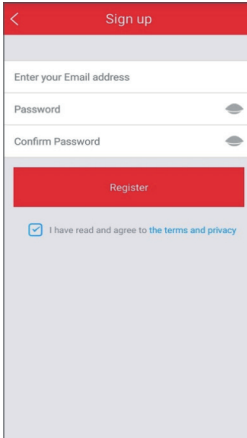
- Make sure your smartphone is connected to your wireless router and your wireless router has a working 2.4GHz internet connection.
- It is recommended to activate your account immediately to be able to recover your password by email.



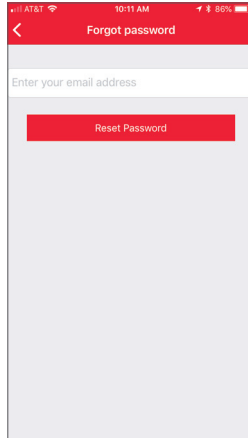
6.1 Press "Sign Up".



6.2 Enter your email address and password.



6.3 Press "Registration".



6.4 If you forget your password, press "Forgot password?" on the main menu and enter your email address. Then press "Reset Password".

NOTICE

- Make sure your smartphone is able to connect to the wireless network which will be used.
- Make sure also that the device is not connecting to other networks in range.

ADDITIONAL APP AND SMART HOME FUNCTIONS

For additional instructions regarding the features of the app and Smart Home skill capabilities, scan the QR code below.





WARNING: Chemical Burn Hazard. Keep batteries away from children.

This product contains a lithium button/coin cell battery. If a new or used lithium button/coin cell battery is swallowed or enters the body, it can cause severe internal burns and can lead to death in as little as 2 hours. Always completely secure the battery compartment. If the battery compartment does not close securely, stop using the product, remove the batteries, and keep it away from children. If you think batteries might have been swallowed or placed inside any part of the body, seek immediate medical attention.

TOSHIBA



Precauciones de Seguridad

Instrucciones de Operación

Instrucciones de Instalación

Mantenimiento Y Limpieza

Soluciones de Problemas

Instrucciones del Control Remoto y del App

MANUAL DEL USUARIO

Tipo de Ventana/Pared
Aire Acondicionado de Cuarto

RAC-WK1823ESCWRU (18,000 BTU)

Avisos de advertencia: antes de usar este producto, lea atentamente este manual y consérvelo para futuras referencias.

El diseño y las especificaciones están sujetos a cambios sin previo aviso para la mejora del producto. Consulte con su distribuidor o fabricante para obtener más detalles.

Manual del propietario

Precauciones de Seguridad	35
Instrucciones de Operación	40
Instrucciones de Instalación	44
Mantenimiento y Limpieza	53
Soluciones de Problemas	54
Instrucciones del Control Remoto y del App	56

Lea este Manual

En su interior encontrará muchos consejos útiles sobre como usar y mantener su acondicionador de aire correctamente. Unos pocos cuidados por su parte pueden ahorrar una gran cantidad de tiempo y dinero, alargando la vida útil de su acondicionador de aire. Encontrará muchas respuestas a los problemas más comunes en el cuadro de solución de problemas – Podrá resolver la mayoría de ellos rápidamente antes de llamar al servicio técnico. Estas instrucciones pueden no cubrir todas las condiciones posibles de uso, así que sentido común y atención a la seguridad é necesario al instalar, operar y mantener este producto.

PRECAUCIÓN

- Para obtener asistencia, llame el Central de Servicio Técnico al 1-855-204-5313.
- Este aparato no está diseñado a ser utilizado por personas (incluidos niños) con capacidades físicas, sensoriales o mentales reducidas o falta de experiencia y conocimientos, a menos que hayan recibido supervisión o instrucción sobre el uso del aparato por parte de una persona responsable de su seguridad.
- Los niños deben supervisarse para asegurar que ellos no jueguen con el acondicionador de aire.
- El aparato deberá ser instalado de acuerdo con la norma nacional de instalación eléctrica.
- No utilizar su acondicionador de aire en una habitación húmeda, como un baño o una lavandería.

PRECAUCIONES DE SEGURIDAD

Para evitar daños al usuario u otras personas y a la propiedad, las instrucciones que se muestran aquí deben ser seguidas. Las operaciones incorrectas por la ignora de las instrucciones podría causar perjuicios o lesiones. El nivel de riesgo está clasificado por las siguientes indicaciones.

ADVERTENCIA

Este símbolo indica una situación peligrosa que, si no evitada, podría causar la muerte o lesiones graves.

PRECAUCIÓN

Este símbolo indica una situación peligrosa que, si no evitada, podría resultar en lesiones leves o moderadas.

AVISO

Este símbolo aborda las prácticas no relacionadas con lesiones físicas.

ADVERTENCIA

- Asegúrese de que el acondicionador de aire se ha instalado de forma segura y correcta de acuerdo con las instrucciones de instalación de este manual. Guarde este manual para un posible uso futuro en la extracción o instalación de esta unidad.
- Enchúfalo en el enchufe de alimentación eléctrica correctamente.
- De lo contrario, puede causar una descarga eléctrica o un incendio debido a la excesiva generación de calor.
- No modificar la longitud del cable de alimentación ni comparta la tomacorriente con otros aparatos, ya que puede provocar una descarga eléctrica o un incendio debido al sobrecalentamiento.
- Asegúrese siempre de una conexión a tierra eficaz.
Una conexión a tierra incorrecta puede provocar una descarga eléctrica.
- Desenchufar la unidad si nota sonidos extraños o olores o humo proveniente de ella.
Un producto dañado puede causar incendio y descarga eléctrica.
- Ventile la habitación antes de utilizar el acondicionador de aire si hay una fuga de gas desde otros aparatos.
- No accione ni detenga la unidad insertando o extrayendo el enchufe de la tomacorriente.
- No lo maneje con las manos mojadas o en ambientes muy húmedos.
Puede causar una descarga eléctrica.
- No permita que el agua entre en contacto con ninguna pieza eléctrica.
Puede causar fallas o descarga eléctrica.
- No lo use el enchufe si está suelto o dañado.
Puede causar incendio y descarga eléctrica.
- No lo use ni mantenga el cable de alimentación cerca de los aparatos de calefacción.
Puede causar incendio y descarga eléctrica.
- No lo use ningún dispositivo o material para la instalación que no se recomiende en este manual.



ADVERTENCIA

- No desmonte ni modifique la unidad.
Puede causar fallas y descarga eléctrica.
- No dañe ni utilice un cable de alimentación alternativo.
Puede causar incendio y descarga eléctrica.
Si el cable de alimentación está dañado, debe ser reemplazado por el fabricante o un centro de servicio técnico autorizado o una persona igualmente calificada para evitar un peligro.
- No dirija el flujo de aire directamente a las personas para evitar posibles riesgos para la salud.
- No abra la unidad durante el funcionamiento.
Puede causar descarga eléctrica.
- No utilice el cable de alimentación cerca de gases inflamables o combustibles, como gasolina, benceno, diluyente, etc.
Puede causar una explosión o un incendio.
- No deje que los niños cuelguen el acondicionador de aire o el soporte.
Puede ocurrir una lesión grave.
- Evite el peligro de incendio o la descarga eléctrica. No utilice un cable de extensión ni un enchufe adaptador. No extraiga ninguna clavija del cable de alimentación.
- Asegúrese de que el acondicionador de aire esté correctamente conectado a tierra. Para minimizar descargas eléctricas y riesgos de incendio, es importante realizar una conexión a tierra adecuada. El cable de alimentación está equipado con un enchufe de conexión a tierra de tres clavijas para la protección contra los riesgos de choque.
- Su acondicionador de aire debe utilizarse en una tomacorriente de pared correctamente conectado a tierra. Si la tomacorriente de pared que tiene intención de utilizar no está adecuadamente conectada a tierra o protegida por un fusible de retardo de tiempo o un disyuntor, pida a un electricista cualificado que instale una tomacorriente adecuada. Asegúrese de que la tomacorriente sea accesible después de la instalación de la unidad.
- Asegúrese de que el servicio eléctrico es adecuado para el modelo que ha elegido. Esta información se puede encontrar en la placa de serie, que se encuentra en el lado del gabinete y detrás de la rejilla.
- No beba el agua de drenaje. Puede contener moho y bacterias que pueden conducir a la muerte.



PRECAUCIÓN





- Cuando se va a quitar el filtro de aire, no toque las partes metálicas de la unidad.
Puede causar lesiones.
- Cuando la unidad necesite limpieza, apague la unidad y apague el disyuntor.
No limpie la unidad cuando la alimentación esté encendida, eso puede provocar un incendio, una descarga eléctrica o lesiones.
- No coloque obstáculos alrededor de las entradas de aire o dentro de la salida de aire.
Puede causar fallas o un accidente.



PRECAUCIÓN

- Limpie solo con un paño suave. No utilice detergentes fuertes que contengan cera o diluyentes, ya que puede dañar el producto.
- Tenga cuidado al desempacar e instalar. Los bordes afilados podrían causar lesiones.
- No limpie el acondicionador de aire con agua.
- El agua puede entrar en la unidad y degradar el aislamiento que podría conducir a una descarga eléctrica.
- No lo guarde una mascota o plantas donde será expuesto al flujo del aire directo. Podría hacer daño a su mascota o planta.
- Sujete el enchufe junto a la cabeza cuando sacarlo. De lo contrario, puede causar descarga eléctrica y daños.
- Asegúrese de que la instalación esté correctamente segura para prevenir el producto de posibles quedas.
- No conecte objetos pesados en el cable de alimentación y asegúrese de que el cable no esté comprimido. De lo contrario, hay peligro de incendio o descarga eléctrica.
- Si hay agua derramada en la unidad, apague la unidad y apague el disyuntor. Aísle el suministro tomando el enchufe y contacte un personal de servicio técnico cualificado.
- No lo use cerca de estufas de gas o otros aparatos de combustión de gas, ya que el flujo de aire puede afectar a la combustión de gas.
- No usar para ningún otro propósito que no sea la comodidad de la habitación. No utilice este acondicionador de aire para conservar instrumentos de precisión, alimentos, animales, plantas y objetos de arte. Puede causar deterioro.
- Apague el disyuntor si la unidad no se va a ser utilizada por un tiempo prolongado.
- Siempre inserte los filtros de forma segura. Limpie el filtro una vez cada dos semanas. El funcionamiento sin filtros puede causar un error.

EXPLICACIÓN DE LOS SÍMBOLOS MOSTRADOS EN LA UNIDAD

	ADVERTENCIA	Este símbolo muestra que este aparato ha utilizado un refrigerante inflamable. Si el refrigerante está filtrado y expuesto a una fuente de ignición externa, hay riesgo de incendio.
	PRECAUCIÓN	Este símbolo muestra que el manual de instrucciones debe leerse cuidadosamente.
	PRECAUCIÓN	Este símbolo muestra que un personal de servicio técnico debe manipular este equipo con referencia al manual de instalación.
	PRECAUCIÓN	Este símbolo muestra que la información está disponible, tanto al manual de instrucciones o al manual de instalación.

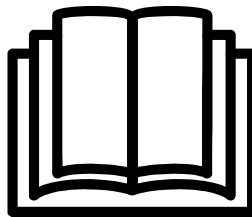


ADVERTENCIA

- No intente acelerar el proceso de descongelación o los métodos de limpieza que no son recomendados por el fabricante.
- El aparato debe ser ubicado en una habitación sin fuentes de ignición en funcionamiento continuo (por ejemplo, llamas abiertas o un aparato de gas en funcionamiento) o fuentes de ignición comunes (por ejemplo, un calentador eléctrico en funcionamiento) cerca del aparato. El aparato también debe ser ubicado en una habitación sin cualquier otra fuente de ignición.
- No perforar ni quemar.
- Tenga en cuenta que los refrigerantes pueden no contener olor.
- Mantenga las aberturas de ventilación libres de obstrucciones.
- La unidad solo debe ser atendida por un centro de asistencia autorizada Toshiba, llame al Servicio al Cliente al 1-855-204-5313 para obtener asistencia técnica.
- El refrigerante inflamable R32 se usa dentro del acondicionador de aire. Siga las instrucciones cuidadosamente para manejar, instalar, limpiar y reparar el acondicionador de aire para evitar daños o peligros. No deseché el acondicionador de aire en la basura común. Contacte la agencia calificada para la eliminación adecuada.
- No maneje fuego ni dispositivos que generen chispas alrededor del acondicionador de aire para evitar causar la ignición del refrigerante inflamable utilizado. Siga cuidadosamente las instrucciones para ubicar o arreglar el acondicionador de aire para evitar que se produzcan daños mecánicos.

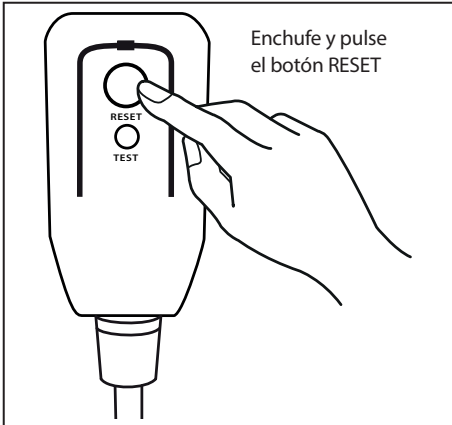


Riesgo de incendio/
materiales inflamables
(Requerido para unidades
R32 / R290 solamente)



NOTA IMPORTANTE: Lea este manual detenidamente antes de instalar o utilizar su nueva unidad de aire acondicionado. Asegúrese de guardar este manual para futuras consultas.

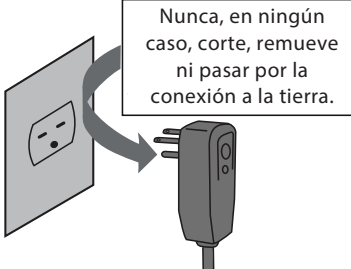
Operación del dispositivo de corriente



El cable de energía contiene un dispositivo de medición que detecta daños en el propio cable. Pruebelo de la siguiente manera:

1. Enchufe el acondicionador de aire.
2. El cable de energía tendrá DOS botones en el cabezal del enchufe. Pulse el botón TEST. Notará un clic a medida que aparezca el botón RESET.
3. Pulse el botón RESET. Notará un clic a medida que el botón se activa.
4. El cable de energía ahora está energizando la unidad. (En algunos productos esto también se indica mediante una luz en el cabezal del enchufe.)

Toma de Tierra Tipo Pared Receptáculo



Cable de energía con enchufe de conexión a tierra de 3 clavijas y dispositivo de detección de corriente.

AVISO

El cable de energía que acompaña este acondicionador de aire contiene un dispositivo de detección de corriente diseñado para reducir el riesgo de incendio.

En el caso del cable de energía esté dañado, no se puede reparar. Debe sustituirlo por un cable del fabricante.

AVISO

- No utilice este dispositivo para encender o apagar la unidad.
- Asegúrese siempre de que el botón RESET esté pulsado para una operación correcta.
- El cable de energía debe ser reemplazado si lo falla al reiniciar mismo cuando el botón TEST esté pulsado o no se puede reiniciarse. Póngase en contacto con el servicio de atención al cliente.

INSTRUCCIONES DE OPERACIÓN

Sonidos normales

RAC-WK18 Models

Sonido de Corriente del Aire

Delante de la unidad, es posible que escuche el sonido de corriente de aire debido al movimiento del ventilador.

Sonido Agudo

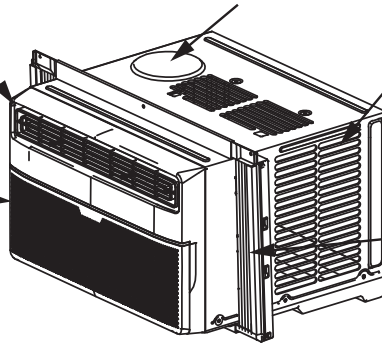
Compresores de alto rendimiento pueden presentar un sonido agudo durante el ciclo de enfriamiento.

Sonido de Goteo

Las gotas de agua que caen sobre el condensador durante la normal operación pueden producir sonidos de goteo.

Gorgoteo/Silbido

Un sonido parecido a un "gorgoteo o silbido" puede escucharse debido al refrigerante pasando a través del evaporador durante una normal operación.



Vibración

La unidad puede vibrar y hacer ruido debido a una estructura débil de la ventana, o a una instalación incorrecta.

AVISO

Todas las ilustraciones de este manual son para explicar sólo. La apariencia real del acondicionador de aire que compró puede variar ligeramente, pero su operación y funciones serán similares.

Características del acondicionador de aire (general)



ADVERTENCIA

Para reducir el riesgo de incendio, descargas eléctricas o lesiones a personas o propiedades, lea las PRECAUCIONES DE SEGURIDAD antes de utilizar este aparato.

Este acondicionador de aire está diseñado para funcionar en las siguientes condiciones:

Operación de enfriamiento	Temperatura exterior:	64 ~ 109°F / 18 ~ 43°C
	Temperatura interior:	62 ~ 90°F / 17 ~ 32°C

AVISO

- La humedad relativa de la habitación debe ser inferior al 80%. Si la unidad está utilizada en una condición con una humedad relativa superior al 80%, habrá agua condensada en la superficie de la unidad.
- El rendimiento puede reducirse fuera de estas temperaturas de operación.

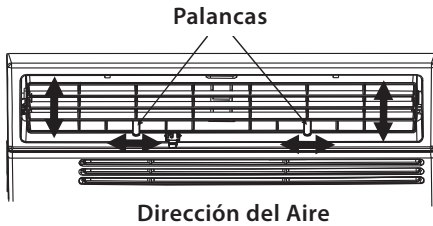
AVISO

Por favor, espere siempre por 3 minutos entre apagado y encendido de la unidad, y cuando cambie de modo frío a ventilador y de vuelta. Esto evitará que el compresor se sobrecaliente.

Para comenzar a operar el acondicionador de aire, siga estos pasos:

1. Ajuste la temperatura a la configuración más fría.
2. Ajuste el control a HIGH COOL.
3. Ajuste la rejilla para un flujo de aire cómodo (consulte Rejillas Direccionales del Aire).
4. Una vez que la habitación se encuentra fresca, ajuste a la temperatura que siente más confortable.
5. Asegúrese de que el flujo del aire dentro y fuera no esté obstruido.

Rejillas direccionales del aire



Las rejillas le permitirán dirigir el aire a la Izquierda o a la Derecha, o Arriba y Abajo (opcional en algunos modelos) por toda la habitación según sea necesario.

Mueva las palancas de lado a lado hasta que la dirección deseada IZQUIERDA/DERECHA sea obtenida.

También puede mover la palanca IZQUIERDA para ajustar el flujo de aire hacia ARRIBA/ABAJO según sea necesario.

CONTROL DE VENTILACIÓN DE AIRE FRESCO

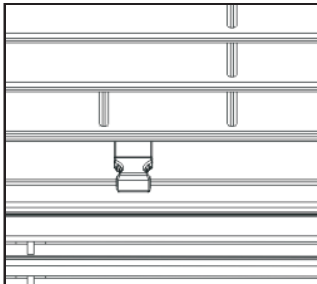


Fig. A (VENTILACIÓN CERRADA)

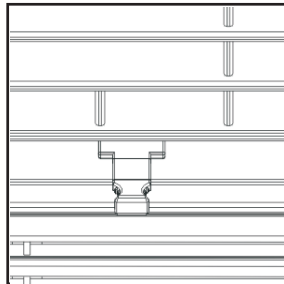


Fig. B (VENTILACIÓN ABIERTA)

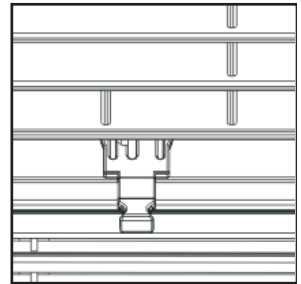


Fig. C (VENT Y SALIDA ABIERTAS)

La ventilación de aire fresco permite al acondicionador de aire:

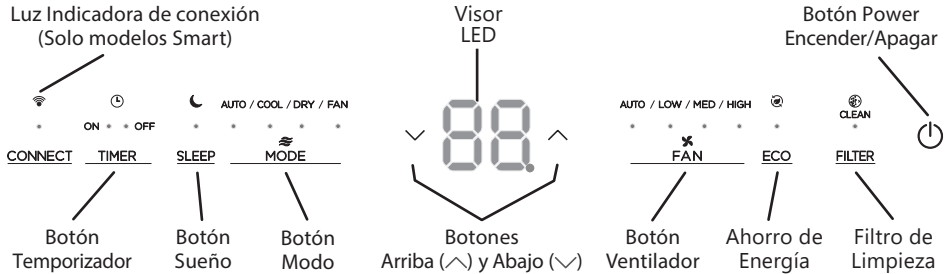
1. Recircular el aire interior – Ventilación Cerrada (Ver Fig. A)
2. Sacar aire fresco a la habitación – Ventilación Abierta (Ver Fig. B)
3. Cambiar el aire de la habitación y exprimir el aire fresco en la habitación - Ventilación y Salida Abiertas (ver Fig. C).

Características del acondicionador de aire

Instrucciones de operación del control electrónico

Antes de comenzar, familiarícese completamente con el panel de control como se muestra a continuación y todas sus funciones, luego siga el símbolo de las funciones que desee. La unidad se puede controlar solo con el control de la unidad, con el control remoto o con la aplicación (algunos modelos).

Características del teclado



PARA ENCENDER O APAGAR LA UNIDAD:

Pulse el botón de encendido para encender o apagar la unidad.

NOTA: La unidad iniciará automáticamente la función de Ahorro de Energía en los modos Frío, Seco y Automático.

PARA CAMBIAR EL AJUSTE DE TEMPERATURA:

Pulse el botón UP/DOWN para cambiar el ajuste de temperatura.

NOTA: Pulse o mantenga pulsado el botón UP (∧) o DOWN (∨) hasta que se vea la temperatura deseada en el visor.

Esta temperatura se mantendrá automáticamente en cualquier lugar entre 62 °F (17 °C) y 86 °F (30 °C). Si desea visualizar la temperatura ambiente actual, consulte la sección Cuando se opera en modo Solo Ventilador.

PARA AJUSTAR LAS VELOCIDADES DEL VENTILADOR:

Pulse el botón Ventilador para cambiar la velocidad del ventilador entre cuatro ajustes: Automático, Bajo, Medio o Alto. El ventilador funcionará a baja velocidad automáticamente cuando se establece en modo Seco.

En el modo Automático, el ventilador funciona automáticamente a velocidad del ventilador automático así que no se puede cambiar.

FUNCIÓN SUEÑO:

Pulse el botón SLEEP para iniciar el modo de sueño. En este modo, la temperatura seleccionada aumentará en 2 °F (1 °C) 30 minutos después de seleccionar el modo.

La temperatura aumentará en otros 2°F (1°C) después de 30 minutos adicionales. Esta nueva temperatura se mantendrá durante 7 horas antes de que vuelva a la temperatura seleccionada originalmente.

El programa de modo de suspensión se puede cancelar en cualquier momento durante el funcionamiento pulsando de nuevo el botón SLEEP.

FUNCIÓN DE REVISIÓN DEL FILTRO:

La función Revisión del Filtro es un recordatorio para limpiar el filtro de aire para una operación más eficiente. La luz se iluminará después de 250 horas de funcionamiento. Después de limpiar el filtro, pulse el botón FILTRO para restablecer la función Revisión del Filtro apagando la luz.

FUNCIÓN DE AHORRO DE ENERGÍA (ECO):

Pulse el botón ENERGY SAVER para iniciar esta función. Esta función está disponible en los modos COOL, DRY, AUTO (solo AUTO-COOLING y AUTOFAN). El ventilador seguirá funcionando durante 3 minutos después de que el compresor se apague. A continuación, el ventilador se enciende durante 2 minutos a intervalos de 10 minutos hasta que la temperatura ambiente quede por encima de la temperatura establecida, momento en el que el compresor vuelve a encenderse y se reanuda el enfriamiento.

PARA SELECCIONAR EL MODO DE FUNCIONAMIENTO:

Para seleccionar el modo de funcionamiento, pulse el botón MODO. Cada vez que pulsar el botón, se selecciona un modo en una secuencia que va desde Automático, Frío, Seco y Ventilador. La luz indicadora adyacente se iluminará y permanecerá encendida una vez seleccionado el modo.

Cuando la unidad se apaga y vuelve a encenderse a través del botón POWER, la unidad encenderá automáticamente la función de Ahorro de Energía para los siguientes modos: Frío, Seco, Automático.

Cuando se opera en modo Automático:

- Al ajustar el acondicionador de aire al modo AUTO, seleccionará automáticamente el enfriamiento o el funcionamiento solo del ventilador dependiendo de la temperatura que haya seleccionado y de la temperatura ambiente actual.
- El acondicionador de aire controlará la temperatura ambiente automáticamente de acuerdo con la temperatura que haya establecido.
- La velocidad del ventilador se controla automáticamente en función del ajuste de temperatura y la temperatura ambiente así que no se puede ajustar.

Cuando se opera en modo Solo Ventilador:

- Utilice esta función cuando no se desee enfriamiento, como para la circulación de aire del ambiente o para expulsar el aire viejo (en algunos modelos, recuerde abrir la ventilación durante esta función, pero manténgala cerrada durante el enfriamiento para una máxima eficiencia.) Puede elegir cualquier velocidad del ventilador que prefiera.
- Durante esta función, el visor mostrará la temperatura ambiente real, no la temperatura establecida como en el modo de enfriamiento.
- En el modo Solo Ventilador, la temperatura no es ajustada.

Cuando se opera en modo Seco:

- En este modo, el acondicionador de aire generalmente funcionará como un deshumidificador. Dado que el espacio acondicionado es un área cerrada o sellada, se producirá algún grado de enfriamiento.

FUNCIÓN TEMPORIZADOR: Función Inicio Automático / Parada Automática:

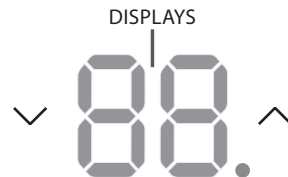
- Cuando la unidad esté encendida, pulse el botón TIMER. La luz LED indicadora "Timer off" se iluminará indicando que se ha activado la función de parada automática.
- Cuando la unidad esté apagada, pulse el botón TIMER. La luz LED indicadora "Timer on" se iluminará indicando que se ha activado la función de inicio automático.
- Cuando aparecer la hora en el TIMER ON, pulse de nuevo el botón TIMER. La luz indicadora TIMER OFF va a iluminarse. Esto indica que se ha iniciado el programa Parada Automática.
- Mantenga pulsado el botón UP (∧) o DOWN (∨) para cambiar la hora automática en incrementos de 0,5 horas, hasta 10 horas, y luego en incrementos de 1 hora, hasta 24 horas. El control contará el tiempo restante hasta el inicio.

- El tiempo seleccionado se registrará en 5 segundos, y el sistema revertirá automáticamente para mostrar la configuración de la temperatura anterior o la temperatura ambiente cuando la unidad está encendida. (cuando la unidad está apagada, no hay visor.)
- Encender o apagar la unidad en cualquier momento o ajustar el temporizador a 0.0 cancelará el tiempo programado de inicio/parada automática.

AVISO

Para cancelar la función del temporizador, pulse y mantenga pulsado el botón TIMER durante 2 segundos hasta que se escuche el pitido.

Visualizaciones en la Pantalla



Muestra la temperatura ajustada en "C" o "F" y los ajustes del temporizador automático. Mientras está en el modo Solo Ventilador, mostrará la temperatura ambiente. Si la temperatura ambiente es demasiado alta o baja, mostrará "HI" (high) o "LO" (low).

Códigos de error:

- AS** - Error del sensor de temperatura ambiente - Desenchufe la unidad y vuelva a enchufarla. Si se repite el error, llame al servicio técnico.
- ES** - Error del sensor de temperatura del evaporador - Desenchufe la unidad y vuelva a enchufarla. Si se repite el error, llame al servicio técnico.

AVISO

- Para cambiar el acondicionador de aire entre las escalas Celsius y Fahrenheit, presione las flechas de control de temperatura al mismo tiempo durante 5 segundos.
- Si el equipo apagar inesperadamente debido al corte de energía, se pondrá en marcha automáticamente con la misma configuración de la función anterior una vez que se reponga la alimentación.

INSTRUCCIONES DE INSTALACIÓN

! ADVERTENCIA Antes de empezar

Lea estas instrucciones completa y cuidadosamente.

- **IMPORTANTE** - Guarde estas instrucciones.
- **IMPORTANTE** - Observe todos los códigos y ordenanzas que rigen.

Recomendamos que dos personas instalen este producto.

Una instalación adecuada es responsabilidad del instalador.

El fallo del producto debido a una instalación incorrecta no está cubierto por esta garantía.

DEBE utilizar todas las piezas suministradas y utilizar los procedimientos de instalación adecuados como se describe en estas instrucciones al instalar este acondicionador de aire.

No corte ni retire, bajo ninguna circunstancia, la tercera clavija (tierra) del cable de energía.

No cambie el enchufe del cable de energía del acondicionador de aire.

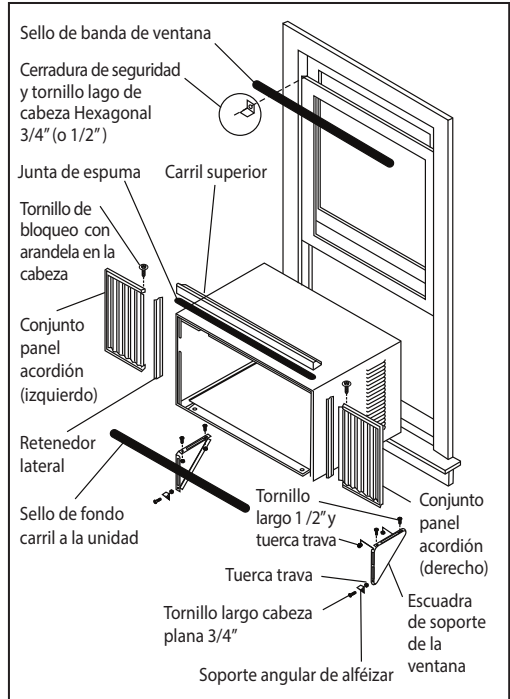
Casas con cableado de aluminio pueden presentar problemas especiales - consulte a un electricista calificado.

Al manipular el equipo, tenga el cuidado de evitar cortes en los bordes metálicos afilados o aletas de aluminio que se encuentran en los serpentines delanteros y traseros.

AVISO

Guarde la caja y estas instrucciones de instalación para futuras referencias. La caja es la mejor manera de almacenar el equipo cuando no está en uso.

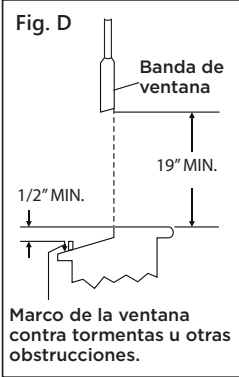
Instrucciones preliminares



Realice una comprobación preliminar de su instalación a través de los pasos 1 hasta 5 de las Instrucciones Preliminares.

Altura de la unidad:	17-5/8"
Anchura de la unidad:	23-5/8"
Apertura mínima de la ventana:	18-1/2"
Ancho mínimo de la ventana:	28"
Ancho máximo de la ventana:	40-1/2"

Instrucciones preliminares (cont.)



1. Cheque el tamaño de la abertura de la ventana - las piezas de montaje amuebladas con este acondicionador de aire están hechas para instalar en una ventana con un alféizar doble de madera. Las piezas estándar son para dimensiones de ventana enumeradas anteriormente. Abra la pestana a un mínimo de 19" (483 mm). Véase Fig. D.
2. Cheque el estado de la ventana - todas las partes de madera de la ventana deben estar en buena forma y ser capaces de sostener firmemente los tornillos necesarios. De lo contrario, realice reparaciones antes de instalar la unidad.
3. Compruebe si hay algo que pueda bloquear el flujo de aire: compruebe el área fuera de la ventana en busca de cosas como arbustos, árboles o toldos. En el interior, asegúrese de que los muebles, cortinas o persianas no detengan el flujo de aire adecuado.
4. Cheque el servicio eléctrico disponible - La fuente de alimentación debe ser la misma que la que se muestra en la placa de identificación de serie de la unidad. El cable de alimentación es de 48 en largo. La tomacorriente debe estar al alcance del cable de alimentación.
5. Desempaque cuidadosamente el acondicionador de aire - Retire todo el material del empaque. Proteja el suelo o la alfombra de posibles daños. Se aconseja utilizar dos personas para mover e instalar la unidad.

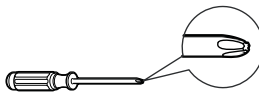
Hardware (Embalado con la unidad)

	Tornillo de bloqueo 7/16" y Arandela plana para paneles acordeón	2 cd.
	Tornillo largo de cabeza hexagonal 3/4" (o 1/2")	7
	Bloqueo de seguridad	1
	Tornillo largo 1/2" y tuerca de bloqueo	4 cd.
	Tornillo largo de cabeza 3/4" y tuerca de bloqueo	2 cd.
	Soporte de ángulo de umbral	2
	Tornillo de bloqueo largo de cabeza hexagonal para carril superior (cumpr. 5/16"), retenedor lateral.	10
	Inserto de espuma para gabinete	2
	Espuma de sellado de hoja de ventana	1
	Tornillo de bloqueo panhead #10x1/4" Tornillo Phillips (para Ventanas de vinilo)	2
	Espuma de aislamiento (10" * 3/4" * 1/12")	5
	Bloqueo de seguridad (para Ventanas de vinilo)	2
	Aislamiento del panel de acordeón	2
	Bloqueo de marco (para Ventanas de vinilo) (solo para algunos modelos)	2
	Tornillo largo 3/4" (solo para algunos modelos)	2

AVISO

El aislamiento del panel de acordeón y la banda adhesiva son solo para los modelos ENERGY STAR.

Herramientas que necesitará



Destornillador



Rango

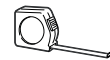
Herramientas que puede usar



Destornillador



Lápiz

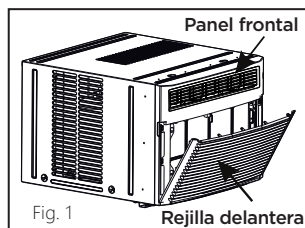


Regla o cinta métrica

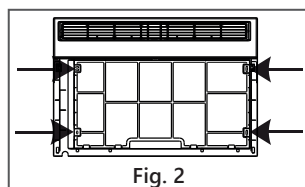


Tijera o cuchillo

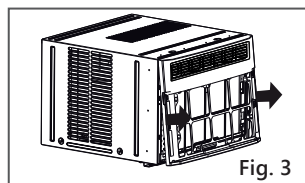
1. Retirar el Acondicionador de Aire del Gabinete



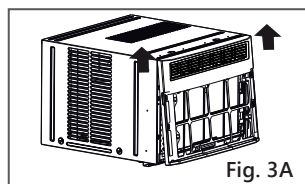
- A. Tire la rejilla delantera hacia abajo y retire el filtro. (Véase la Fig. 1).
- B. Levante la rejilla delantera hacia arriba y colóquela a un lado.



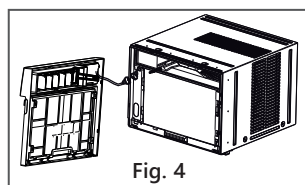
- C. Localice los cuatro tornillos delanteros y retirelos. Estos tornillos serán necesarios para volver a instalar el panel frontal (véase la Fig. 2).



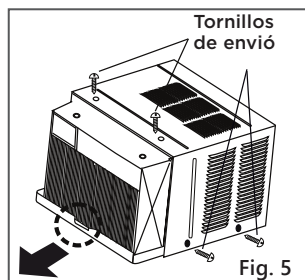
- D. Empuje el lado del gabinete metálico para liberar las pestañas de plástico en ambos lados del panel frontal (véase la Fig. 3).



- E. Levante suavemente el panel frontal de la unidad (véase la Fig. 3A).

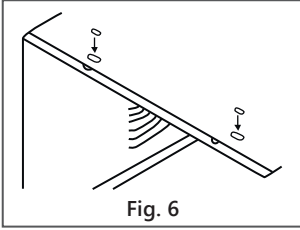


- F. Desconecte de la unidad el conector del panel de visualización y coloque el panel frontal a un lado (véase la Fig. 4).

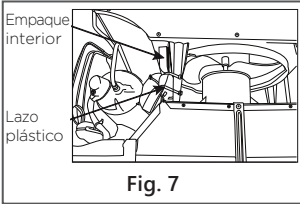


- G. Retire los tornillos de la parte superior de la unidad y también en el lado por la base caso esta instalada (véase la Fig. 5).

- H. Sujete el gabinete mientras tira la manija de la bandeja de la base y retire cuidadosamente la unidad.

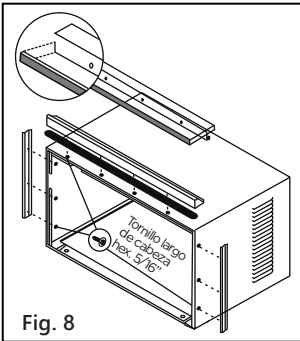


- I. Añadir dos insertos de espuma a los orificios de la parte superior del gabinete donde se quitaron los tornillos de envío (véase la Fig. 6).

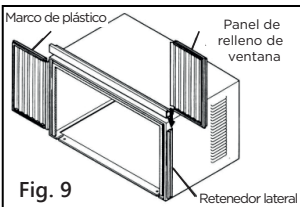


- J. Su unidad puede venir con un empaque interior. Este empaque debe retirarse antes de instalar de vuelta el acondicionador de aire en el gabinete. (véase la Fig. 7).

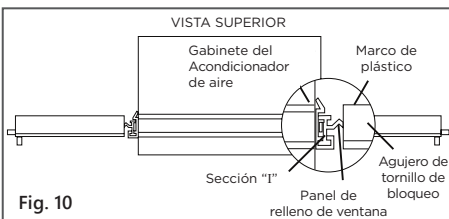
2. Preparación del Gabinete



- A. Coloque el gabinete sobre el piso, un banco o una mesa.
 B. Fije la junta de espuma al carril superior por encima de los orificios como se muestra en la Fig. 6.
 C. Instale el carril superior y los retenedores laterales en el gabinete como se muestra en la Fig. 8 (10 tornillos).



- D. Deslice 1 etapa del panel de acordeón de la ventana a través del retenedor lateral y en el lateral del gabinete (véase la Fig. 9 y Fig. 10). Hacer en ambos lados.



- E. Inserte las piernas superior e inferior del marco del panel de acordeón de la ventana a través del canal y en el carril superior y el carril inferior. Hacer en ambos lados.

- F. Inserte tornillos de bloqueo de 7/16" con la arandela en los orificios de la pierna superior del marco del panel de acordeón (ver paso 6). No apriete completamente. Deje que la pierna se deslice libremente. Los tornillos serán apretados después de la sección 6.

3. Instalación del Gabinete

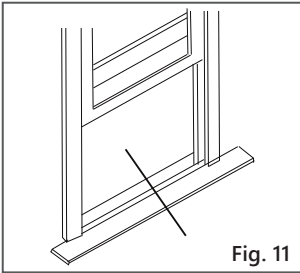


Fig. 11

- A. Abra la ventana y marque el centro del alféizar de la ventana, como se muestra (Fig. 11).

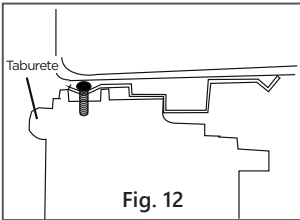
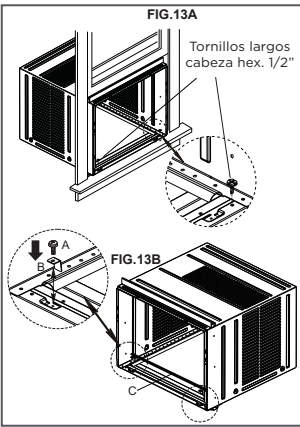


Fig. 12

- B. Coloque el gabinete en la ventana con la parte inferior firmemente asentada sobre el alféizar como se muestra. Baje la ventana temporalmente por detrás del carril superior para mantener el gabinete en su lugar (Fig. 12).
- C. Mova el gabinete a la izquierda o a la derecha según sea necesario para alinear el centro del gabinete con el centro de la línea marcada en el alféizar.



- D. Para ventana de madera: Fije el gabinete al alféizar interior de la ventana con dos tornillos de cabeza larga hexagonal de 1/2" en los orificios (Fig.13A). (Si lo desea, pre-perforar y crear orificios guías.)

Para la ventana de vinilo: Coloque dos bloqueos de seguridad en los orificios situados en la parte inferior del gabinete y conduzca dos tornillos Phillips Panhead #10X de 1/4" a través de los bloqueos de seguridad en el gabinete como se muestra (Fig.13B).

- A. Tornillos Phillips Panhead #10X de 1/4"
- B. Bloqueo de seguridad (solo para ventanas de vinilo)
- C. Sello de espuma del carril inferior
- E. Retire la tira protectora del lado adhesivo del sello de espuma del carril inferior. Aplique el sello sobre los tornillos que fijan el carril inferior al alféizar interior de la ventana.

4. Instalación del Soporte de la Ventana

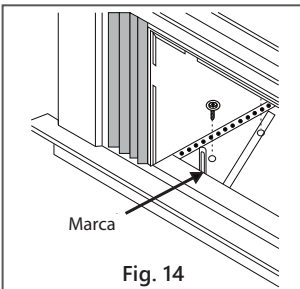
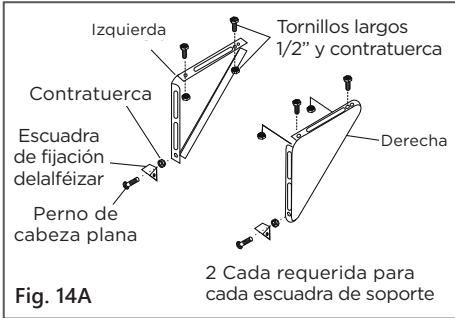
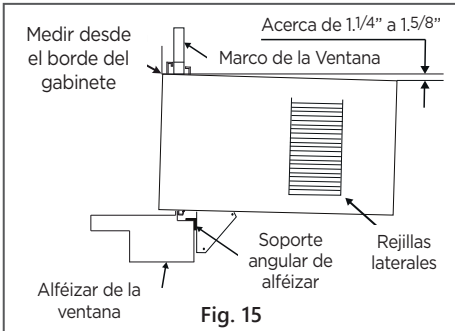


Fig. 14

- A. Sujete igualmente cada soporte de ventana contra el exterior del alféizar, y aprete hasta la parte inferior del gabinete como se muestra en la Fig. 14. Marque los soportes según el nivel superior del alféizar y retírelos.

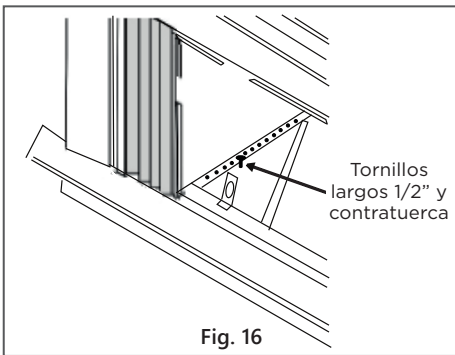


- B. Posicione el soporte angular del alféizar para apoyar los soportes de ventana en la posición marcada (Fig. 14A). Apriete a mano temporalmente así que los ajustes finales se puedan hacer más tarde.



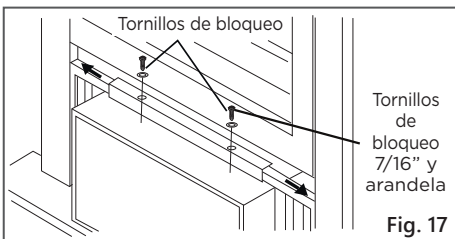
AVISO

Asegúrese que el acondicionador de aire esté inclinado hacia atrás alrededor de 1-1/4" a 1-5/8" (inclinado alrededor de 3° a 4° hacia abajo y hacia el exterior). Después de la instalación adecuada, el condensado no debe drenarse del orificio de drenaje durante el uso normal. De lo contrario, ajustar la inclinación (Fig.15).

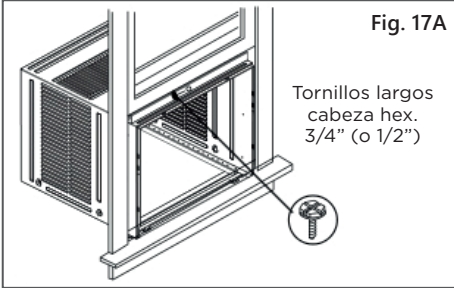


- C. Instale los soportes de ventana (con los soportes de angulares de alféizar conectados) para emparejar el orificio en la parte inferior del gabinete como se muestra en la Fig. 16.
- D. Apriete los 6 tornillos de forma segura.

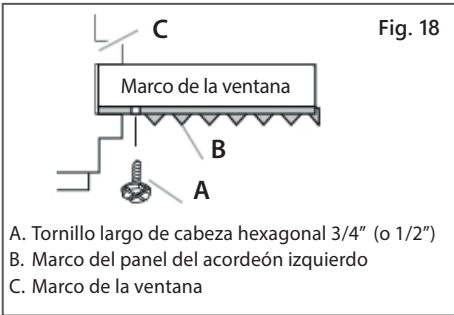
5. Fixación de los Paneles de Acordeón



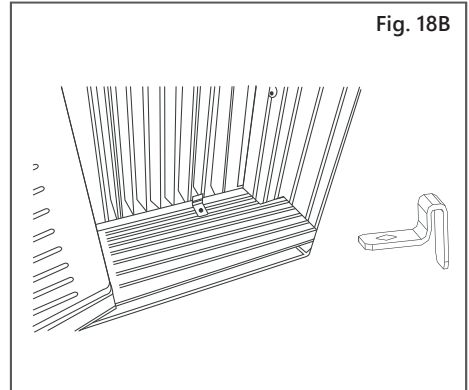
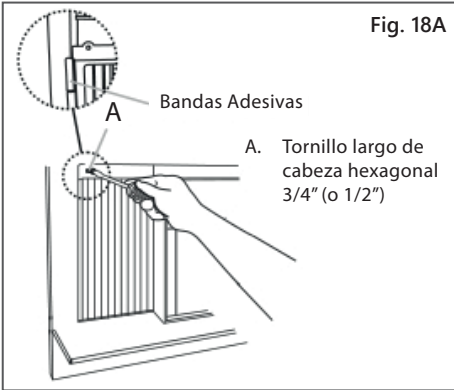
- A. Levante cuidadosamente la ventana para exponer los tornillos de bloqueo del panel de acordeón. Afloje los tornillos para que los paneles de acordeón se deslicen fácilmente.
- B. Extienda los paneles para cubrir completamente la apertura de la ventana. Apriete los tornillos de bloqueo en la parte superior (Fig. 17).
- C. Cierre la ventana por detrás del carril superior.



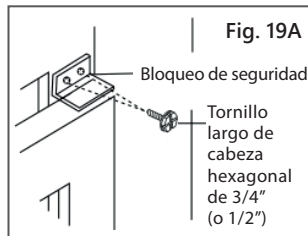
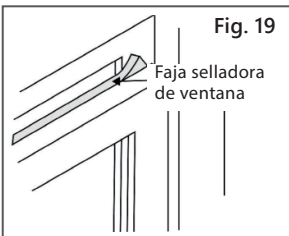
D. Utilice una broca de 3/32" para perforar y crear un orificio guía centrado en el carril superior y en el marco de la ventana. Conduzca un tornillo de cabeza hexagonal de 3/4" (o 1/2") a través del orificio que acaba de perforar como se muestra (Fig. 17A).



E. Extienda los paneles de acordeón contra el marco de la ventana.
 F. Utilice una broca de 1/8" para perforar y crear un orificio guía y a través del orificio en la pierna superior de cada marco del panel de acordeón y en el marco de la ventana (Fig. 18 y Fig. 18A). Conduzca un tornillo de cabeza hexagonal de 3/4" (o 1/2").
 G. Fije los marcos de bloqueo al alféizar de la ventana utilizando dos tornillos de 3/4" (19mm) (Fig. 18B) (en algunos modelos).



6. Instalación de la Faja Selladora de Ventana y del Bloqueo de Seguridad

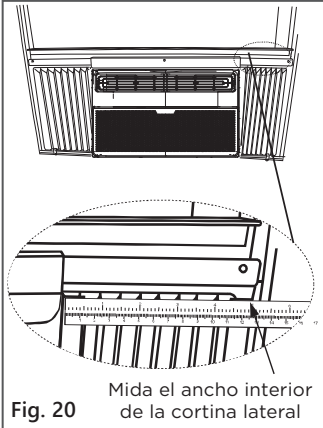


A. Recorte la Faja selladora para ajustar con el ancho de la ventana. Insertar en el espacio entre los marcos superior e inferior (Fig. 19).
 B. Fije el bloqueo de seguridad a un ángulo adecuado (Fig. 19A).

7. Instalación del Acondicionador de Aire en el Gabinete

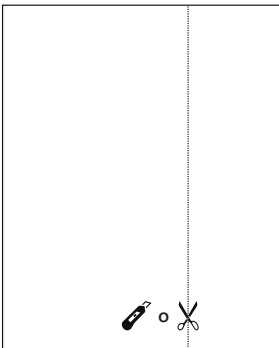
- A. Levante el acondicionador de aire y deslice cuidadosamente en el gabinete dejando 6" sobresaliendo.
- B. NO presione ni aplique presión a los controles o a las aletas de los serpentines.
- C. Asegúrese de que el chasis esté firmemente asentado hacia la parte trasera del gabinete.
- D. La instalación del frente es el reverso de la eliminación descrito en la Sección 1.

8. Instalación del Aislamiento y Banda Adesiva (solo modelos ENERGY STAR)

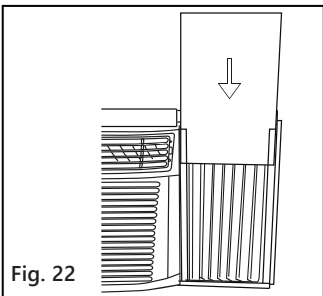


Con el fin de minimizar las fugas de aire y garantizar un aislamiento óptimo, es necesario instalar el aislamiento del panel de acordeón conectado en la cortina lateral. Siga las instrucciones que se indican a continuación.

- A. Después de instalar la unidad en la ventana, mida el ancho interior de la cortina lateral como se muestra (Fig. 20).

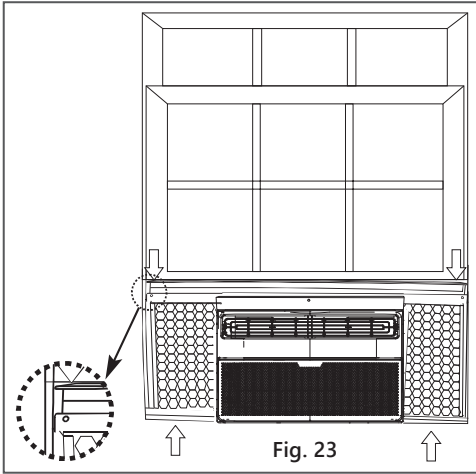


- B. Marque una línea en el aislamiento del panel de acordeón que sea 1/8" (3 mm) menor que la anchura medida en el paso 1, luego corte el Aislamiento del Panel de Acordeón a lo largo de la línea (Fig. 21).



- C. Deslice el aislamiento del panel de acordeón en la cortina lateral. El lado patrón debe estar orientado hacia el interior. (Fig. 22).

- D. Repita en el otro lado.



- E. Con el fin de minimizar las fugas de aire entre el aire acondicionado de la habitación y la abertura de la ventana, recorte la banda adhesiva a la longitud adecuada, despegue el respaldo protector y enchufe cualquier hueco si es necesario (Fig. 23).

Fig. 23

Si el Acondicionador del Aire está Bloqueado por la Ventana de Tormenta

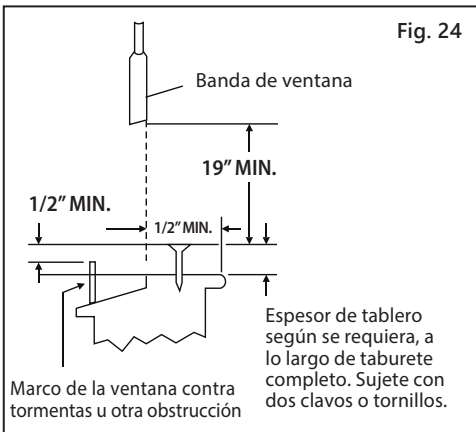


Fig. 24

Asegúrese de que las ventanas de tormenta – si el marco de la ventana de tormenta no permite un espacio libre requerido, corríjalo quitando la ventana de tormenta - si es posible, o agregando un pedazo de madera como se muestra en la Fig. 24.

Eliminar el Acondicionador del Aire de la Ventana

- Apague el Acondicionador del Aire y desconecte el cable de alimentación.
- Retire el sello de espuma de la hoja entre las ventanas y desenrosque el bloqueo fijado.
- Retire los tornillos instalados a través de los marcos de la hoja superior y del panel lateral.
- Retire el aislamiento del panel de acordeón (solo modelos ENERGY STAR).
- Cierre (deslice) los paneles de acordeón en los carriles para cerrar.
- Manteniendo un agarre firme en el acondicionador de aire, levante la faja y retire cuidadosamente.
- Tenga cuidado de no derramar el agua restante mientras levante la unidad desde la ventana. Guarda las partes CON el acondicionador de aire.

MANTENIMIENTO Y LIMPIEZA

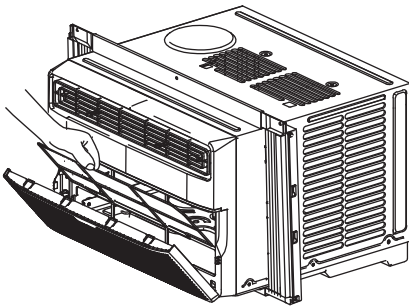


PRECAUCIÓN

Limpie su acondicionador de aire de vez en cuando para mantenerlo con un aspecto nuevo. Asegúrese de desenchufar la unidad antes de limpiarla para evitar descargas eléctricas o incendios.

Limpieza del filtro de aire

Modelos RAC-WK18



El filtro de aire deberá revisarse cuando menos una vez al mes para verificar si es necesario limpiarlo. Las partículas atrapadas en el filtro podrían crear y acumular escarcha en los serpentines de enfriamiento.

- Empuje la manija de ventilación a la posición de Ventilación Cerrada (cuando aplicable).
- Abra el panel frontal.
- Sujete el filtro por el centro y tire hacia arriba y hacia afuera.
- Lave el filtro con detergente líquido neutro y agua tibia. Enjuague bien el filtro.
- Sacuda suavemente el exceso de agua del filtro. Asegúrese de que el filtro esté completamente seco antes de reemplazarlo.
- También puede aspirar el filtro limpio en lugar de lavarlo.

AVISO

Nunca utilice agua caliente a más de 104 °F (40 °C) para limpiar el filtro de aire. Nunca intente operar la unidad sin el filtro de aire.

Limpieza del gabinete

- Asegúrese de desenchufar el acondicionador de aire para evitar descargas eléctricas o un incendio. El gabinete y el frente pueden ser desempolvados con un paño sin aceites o lavados con un paño humedecido en una solución de agua tibia y detergente líquido neutro. Enjuagar bien y secar.
- Nunca utilice limpiadores agresivos, cera o esmalte en la parte delantera del gabinete.
- Asegúrese de escurrir el exceso de agua del paño antes de limpiar alrededor de los controles. El exceso de agua dentro o alrededor de los controles puede causar daños en el acondicionador del aire.
- Enchufe el el acondicionador del aire.


Almacenamiento en invierno

Si planea almacenar el aparato de aire acondicionado durante el invierno, remuévalo cuidadosamente de la ventana de acuerdo a las instrucciones de montaje. Cúbralo con plástico o devuélvalo al embalaje original.

SOLUCIONES DE PROBLEMAS

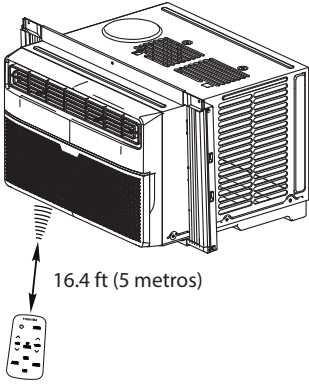
Antes de llamar al servicio técnico, revise esta lista. Puede ahorrarle una gran cantidad de tiempo y dinero. Esta lista incluye ocurrencias comunes que no son consecuencia de un trabajo o materiales defectuosos en el equipo.

Problema	Solución
El aire acondicionado no pone en marcha.	Enchufe desconectado de la toma de pared. Inserte firmemente el enchufe en la toma de pared.
	El cortacircuitos está disparado. Restablecer cortacircuitos.
	Compruebe si la luz del enchufe está encendida. Si está apagada, pulse el botón RESET.
	La unidad está apagada. Encienda la unidad.
El aire de la unidad no enfría adecuadamente.	La unidad apaga y enciende rápidamente. Apague la unidad y espere 3 minutos antes de reiniciar.
	Temperatura ambiente por debajo de 62 °F (17 °C). Es posible que no se produzca un enfriamiento hasta que la temperatura ambiente suba por encima de 17 °C.
	El sensor de temperatura detrás del filtro de aire está tocando los serpentines de enfriamiento. Trate de moverlo para que no entre en contacto con los serpentines de enfriamiento.
	Restablezca a una temperatura más baja.
	Compresor se apaga al moverse los modos de temperatura. Espere aproximadamente 3 minutos y escuche si el compresor se reinicia cuando se establece en el modo COOL.
	Compruebe si hay posibles obstrucciones que bloqueen la entrada/salida al aire libre. Limpie cualquier obstrucción.
El acondicionador de aire se enciende y apaga rápidamente.	Filtro de aire sucio o flujo de aire restringido. Limpie el filtro de aire.
	Temperatura exterior extremadamente caliente. Establezca la velocidad del FAN en una configuración más alta para que el aire pase por los serpentines de enfriamiento con más frecuencia.
	Compruebe si hay posibles obstrucciones que bloqueen la entrada/salida al aire libre. Despeje cualquier obstrucción.
Habitación demasiado fría.	Configuración de temperatura demasiado baja. Aumente la temperatura.
Acondicionador de aire enfriándose, pero el ambiente está demasiado templado - formación de escarcha en los serpentines de enfriamiento detrás del filtro de aire.	Temperatura exterior por debajo de 64°F (18°C). Para descongelar los serpentines, ajuste al modo FAN ONLY.
	El filtro de aire puede estar sucio. Limpie el filtro. Consulte la sección Cuidado y Limpieza. Para descongelar, establezca el modo FAN ONLY.
	El termostato está demasiado frío para el enfriamiento nocturno. Para descongelar los serpentines, ajuste al modo FAN ONLY. A continuación, ajuste la temperatura a una configuración más alta.

Problema	Solución
Acondicionador de aire enfriándose, pero el ambiente está demasiado templado - NO hay formación de escarcha en los serpentines de enfriamiento detrás del filtro de aire.	Filtro de aire sucio o restringido. Limpie el filtro. Consulte la sección Cuidado y Limpieza. Para descongelar, establezca el modo FAN ONLY.
	La temperatura está configurada demasiado alta, ajuste la temperatura a una configuración más baja.
	Rejillas direccionales de aire colocadas incorrectamente. Pivotee las rejillas hasta obtener una mejor distribución del aire.
	La parte delantera de la unidad está bloqueada por cortinas, persianas, muebles, etc. - restringe la distribución del aire. Limpie posibles obstrucciones en frente a la unidad.
	Cualquier puerta, ventana o registro abierto puede permitir que el aire frío escape. Cierre las puertas, ventanas o registros.
	La habitación puede estar demasiado templado. Conceda algo más de tiempo para remover el calor "almacenado" en paredes, techos, suelos y muebles.
Ruido cuando la unidad se está enfriando.	Sonido de movimiento del aire. Esto es normal. Si es demasiado fuerte, ajuste el modo FAN a una configuración más lenta.
	Vibración de la ventana - mala instalación. Consulte las instrucciones de instalación o consulte al instalador.
El agua gotea en el interior cuando la unidad se está enfriando.	Instalación incorrecta. Incline el aire acondicionado ligeramente hacia el exterior para permitir el drenaje del agua. Consulte las instrucciones de instalación o consulte al instalador.
El agua gotea en el exterior cuando la unidad se está enfriando.	Unidad removiendo una gran cantidad de humedad de un ambiente húmedo. Esto es normal durante días excesivamente húmedos.
Detección remota de desactivación prematura (algunos modelos).	El control remoto no se encuentra dentro del alcance. Coloque el control remoto a distancia dentro de 16,4 pies y 180°, en un radio de la parte delantera de la unidad y apuntando en la dirección general del acondicionador de aire.
	Señal del control remoto obstruida. Retire la obstrucción
Ruido cuando se inicia la unidad.	Un sonido "da-da" puede ocurrir durante treinta segundos cuando la unidad está encendida debido al arranque del compresor. Es normal.
La unidad no se conecta al WiFi o la aplicación no funciona (algunos modelos).	Para obtener más ayuda y consejos de solución de problemas, siga el link de este código QR:
	 <p>TOSHIBA</p>

INSTRUCCIONES DEL CONTROL REMOTO Y DEL APP

Manejo del Control Remoto



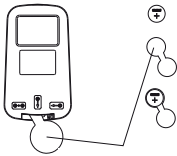
Ubicación del control remoto

Utilice el control remoto a distancia a una distancia de 5 metros del acondicionador de aire, apuntando hacia el receptor. La recepción se confirma con un pitido.

⚠ PRECAUCIÓN

- El acondicionador de aire no funcionará si las cortinas, puertas u otros materiales bloquean las señales del control remoto a la unidad.
- Evite que cualquier líquido se derrame sobre el mando a distancia. No exponga el mando a distancia a la luz solar directa ni al calor.
- Si el receptor de señal infrarroja de la unidad interior está expuesto a la luz solar directa, es posible que el acondicionador de aire no funcione correctamente. Utilice cortinas para evitar que la luz del sol caiga sobre el receptor.
- Si otros aparatos eléctricos reaccionan al control remoto, mueva estos aparatos o consulte a su distribuidor local.

Sustitución de la Batería



AVISO

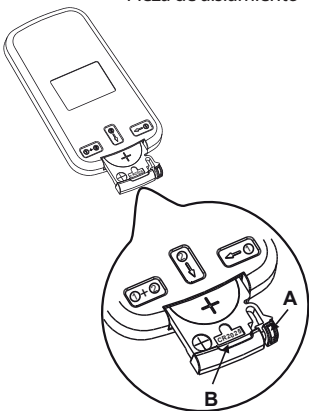
Primero retire la pieza de aislamiento (si está disponible) y entonces instale la batería de acuerdo con los siguientes pasos

Complete los siguientes pasos simultáneamente:

1. Presione ligeramente la opción "A" en la dirección de la flecha 1.
2. Tire de "B" en la dirección de la flecha 2.

AVISO

1. Utilice únicamente una batería CR2025.
2. No deje la batería en el control remoto si no se va a utilizarlo durante 2 o 3 meses.
3. Deseche las pilas usadas correctamente.



Especificaciones del control remoto

Modelo	RG15C/E
Voltaje	3.0V (batería de litio CR2025)
Voltaje más bajo de la señal de emisión de la CPU	2.4 V
Alcance de recepción de señal	16.4 pies (5 m)
Entorno	-5 °C ~ 60 °C (23°F ~ 140°F)

Función de los Botones

Botón ON/OFF

La unidad se enciende cuando se pulsa este botón y se apaga cuando pulsarlo nuevamente.

NOTA: Si la unidad tiene la función ENERGY SAVER, iniciará automáticamente la función de ahorro de energía en los modos Cool, Dry y Auto (solo Auto-Cooling y Auto-Fan).

Botón MODE

Pulse este botón para seleccionar el modo de operación deseado.

Botón FAN UP

Pulse este botón para aumentar la velocidad deseada del ventilador.

Botón FAN DOWN

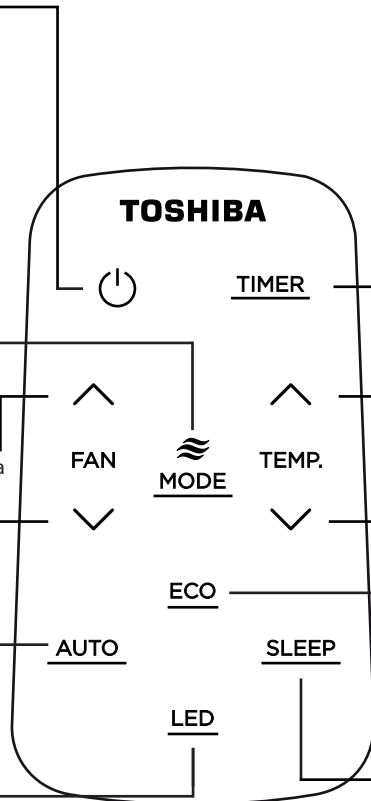
Pulse este botón para reducir la velocidad deseada del ventilador.

Botón AUTO

Pulse este botón para ajustar automáticamente la velocidad del ventilador

Botón LED

Pulse este botón para apagar las luces indicadoras de la unidad. Al volver a pulsar este botón, se volverán a encender las luces indicadoras. Al pulsar cualquier botón de la unidad o del control remoto mientras el visor está apagado, se activarán las luces durante tres segundos y, a continuación, se apagarán.



Botón TIMER

Pulse este botón para activar el programa "Inicio Automático" o "Parada Automática".

Botón TEMP UP

Pulse este botón para aumentar la configuración de la temperatura interior.

Botón TEMP DOWN

Pulse este botón para reducir la configuración de la temperatura interior.

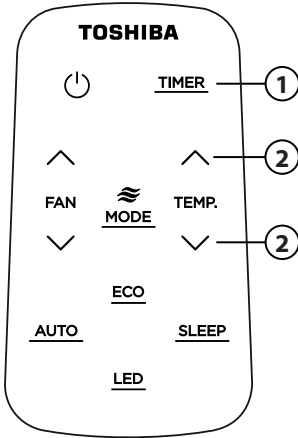
Botón ECO

Pulse este botón para activar el modo de ahorro de energía. Púlselo de nuevo para detener la función (en algunos modelos).

Botón SLEEP

Pulse este botón para activar el modo de Suspensión. Esta función solo está disponible en modo COOL o AUTO y mantendrá la temperatura más cómoda para usted mientras ahorra energía. Para obtener más información, consulte la función de Suspensión en "MANUAL DEL USUARIO".

Cómo usar los botones



Función Temporizador

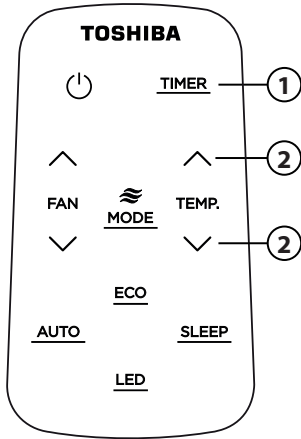
Pulse el botón TIMER para iniciar el programa de ajuste de inicio automático y de parada automática de la unidad.

Para ajustar la hora de inicio/parada automática.

1. Pulse el botón TIMER. Cuando el indicador TIMER ON aparezca en el visor LED del acondicionador de aire, indica que se ha iniciado el programa de ajuste de inicio automático. Cuando el indicador TIMER OFF aparezca en el visor LED del acondicionador de aire, indica que se ha iniciado el programa de ajuste de parada automática.
2. Mantenga pulsado el TEMP UP/DOWN para cambiar la hora automática. El control contará el tiempo restante hasta el inicio/parada.
3. El tiempo seleccionado se registrará en 5 segundos y el acondicionador de aire volverá automáticamente a mostrar el ajuste de temperatura anterior.
4. Encender o apagar la unidad en cualquier momento, cancelará la función de inicio/parada automática.

AVISO

Para cancelar el ajuste TIMER, pulse el botón TIMER y, a continuación, pulse o mantenga pulsado TEMP UP/DOWN hasta que aparezca 0 horas en el visor LED del acondicionador de aire.



TEMPORIZADOR COMBINADO

(Ajuste simultáneo de los temporizadores ON y OFF)

PARADA AUTOMÁTICA > INICIO AUTOMÁTICO

(Activado > Detener > Iniciar operación)

Esta función es útil cuando desea detener el acondicionador de aire después de irse a la cama, y iniciar de nuevo por la mañana cuando se despierta o cuando regresa a casa.

Ejemplo:

Para detener el acondicionador de aire 2 horas después de la configuración e iniciarlo de nuevo 10 horas después de la configuración.

1. Pulse el botón TIMER hasta que muestre TIMER OFF en el indicador LED del acondicionador de aire.
2. Utilice el botón TEMP UP/DOWN para mostrar "2.0" en el indicador LED del acondicionador de aire.
3. Pulse de nuevo el botón TIMER hasta que muestre TIMER OFF en el indicador LED de la unidad.
4. Utilice el botón TEMP UP/DOWN para mostrar "10" en el indicador LED de la unidad.
5. Espere 5 segundos hasta que la indicación anterior aparezca en el visor LED.

INICIO AUTOMÁTICO > PARADA AUTOMÁTICA

(Desactivado > Iniciar > Detener operación)

Esta función es útil cuando se desea iniciar el acondicionador de aire antes de despertar y detenerlo después de salir de la casa.

Ejemplo:

Para iniciar el acondicionador de aire 5 horas después de la configuración, y detenerlo 8 horas después de la configuración.

1. Pulse el botón TIMER hasta que muestre TIMER ON en el indicador LED del acondicionador de aire.
2. Utilice el botón TEMP UP/DOWN para mostrar "5.0" en el indicador LED del acondicionador de aire.
3. Pulse de nuevo el botón TIMER hasta que muestre TIMER OFF en el indicador LED de la unidad.
4. Utilice el botón TEMP UP/DOWN para mostrar "8.0" en el indicador LED de la unidad.
5. Espere 5 segundos hasta que la indicación anterior aparezca en el visor LED.

AVISO

Los cambios o modificaciones no aprobados por la parte encargada del cumplimiento de las regulaciones podrían invalidar la autoridad del usuario para operar el equipo.

DECLARACIÓN DE CONFORMIDAD

Declaramos que este Acondicionador de Aire cumple los requisitos esenciales y otras disposiciones pertinentes de la Directiva 1999/5/CE.

ESPECIFICACIÓN DEL MÓDULO INALÁMBRICO

Modelo: US-SK105	Dimensiones: 41 x 24 x 5 (mm)
Estándar: IEEE 802.11 b/g/n	Temperatura de funcionamiento: 0°C ~ 45°C / 32°F ~ 113°F.
Tipo de antena: Antena PCB impresa	
Frecuencia: 2400-2483.5MHz	Humedad de funcionamiento: 10% ~ 85%
Potencia máxima transmitida: <20 dBm Max	Entrada de potencia: DC 5V/300 mA

PRECAUCIONES

1. Soporte para los sistemas operativos: iOS 7+ o Android 4+..
2. En el caso de una actualización del sistema operativo, puede haber un retraso entre la actualización del sistema operativo y una actualización de software durante la cual su sistema operativo puede o no ser compatible hasta que una nueva versión sea lanzada. Su teléfono móvil específico o problemas en su red pueden impedir que el sistema funcione y Toshiba no será responsable de ningún problema que pueda ser causado por incompatibilidad o problemas de red.
3. Este acondicionador de aire inteligente solo permite el cifrado WPA-PSK/WPA2-PSK (recomendado). Consulte la dirección web de Toshiba Lifestyle, www.toshiba-lifestyle.com, para obtener informaciones actualizadas.
4. Para garantizar el escaneo adecuado del código QR, su smart phone debe tener al menos una cámara de 5 megapíxeles.
5. Debido a la conectividad de red inestable, las solicitudes pueden agotar el tiempo de espera. Si esto sucede, vuelva a ejecutar la configuración de red.
6. Debido a la conectividad de red inestable, los comandos pueden agotar el tiempo de espera. Si esto sucede, la aplicación del Smartphone y el producto actual pueden presentar información conflictiva. La información presentada en el producto actual es siempre la más precisa disponible. Actualice la aplicación para volver a sincronizarla

AVISO

Toshiba no será responsable de ningún problema que pueda ser causado por incompatibilidad o problemas de red, su router inalámbrico y teléfono móvil.

VISIÓN GENERAL DEL SISTEMA

Dispositivos necesarios para utilizar el Acondicionador de aire inteligente:

1. Smartphone con sistema iOS o Android compatible.
2. Router inalámbrico
3. Acondicionador de aire Inteligente

DESCARGAR E INSTALAR LA APLICACIÓN

Código QR de Android



Código QR de Apple



Escanear para descargar la aplicación.

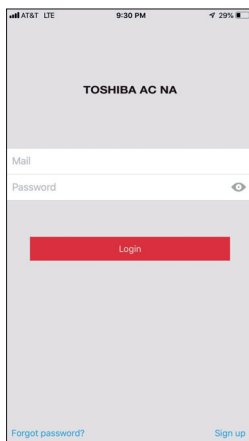
- También puede ir a Google Play o App Store y buscar Toshiba NA AC. Para obtener más información, consulte la página web de Toshiba Lifestyle: www.toshiba-lifestyle.com.

AVISO

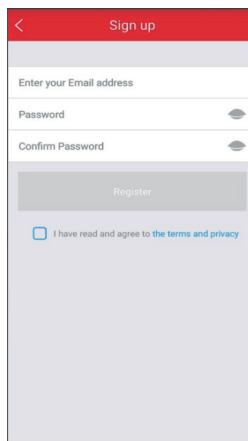
Todas las imágenes de este manual son solo para referencia, su producto y aplicación pueden tener un aspecto ligeramente diferente. Las instrucciones reales del producto y de la aplicación deben ser consideradas.

CREA TU CUENTA

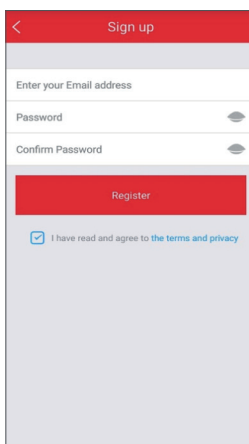
- Asegúrese de que su Smartphone esté conectado a su router inalámbrico y que su router inalámbrico tenga una conexión a Internet de 2,4 GHz.
- Se recomienda activar su cuenta inmediatamente para poder recuperar su contraseña por correo electrónico.



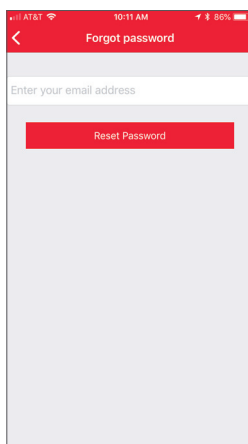
6.1 Pulse "Registrarse".



6.2 Introduzca su dirección de correo electrónico y contraseña.



6.3 Pulse "Registro".



6.4 En caso de que olvide su contraseña, pulse "¿Olvidó su contraseña?" en el menú principal e introduzca su dirección de correo electrónico. A continuación, pulse "Restablecer contraseña".

AVISO

- Asegúrese de que su Smartphone es capaz de conectarse a la red inalámbrica que se utilizará.
- Asegúrese también de que el dispositivo no se está conectando a otras redes al alcance.

FUNCIONES ADICIONALES DE LA APLICACIÓN Y SMART HOME

Para obtener instrucciones adicionales sobre las características de la aplicación y las capacidades del sistema Smart Home, escanee el código QR a continuación





ADVERTENCIA: PELIGRO DE QUEMADURA QUÍMICA. MANTENGA LAS PILAS ALEJADAS DE LOS NIÑOS.

Este producto contiene una batería de celda tipo moneda/botón. Si una batería de celda tipo moneda/botón nueva o usada llegara a ser ingerida o que se la han colocada dentro de alguna parte del cuerpo, causaría quemaduras internas graves en solo 2 horas y puede causar la muerte. Garantize siempre la seguridad del compartimiento de la batería. Si el compartimiento de la batería no queda bien cerrado, deje de utilizar el producto, remova la batería y manténgala alejada de los niños. Si sospecha que alguien ingirió la batería o que la colocó dentro de alguna parte del cuerpo, busque atención médica de inmediato.

TOSHIBA