

# TOSHIBA



Microwave Oven

## INSTRUCTION MANUAL

Model:

**MWP-MM20P(BK)**  
**MWP-MM20P(WH)**

**Read these instructions carefully before using your microwave oven, and keep it carefully.**

If you follow the instructions, your oven will provide you with many years of good service.

**SAVE THESE INSTRUCTIONS CAREFULLY**

English

MWP-MM20P(BK)  
MWP-MM20P(WH)

# CONTENTS

CONTENTS .....	1
PRECAUTIONS.....	2
SPECIFICATIONS.....	2
IMPORTANT SAFETY INSTRUCTIONS.....	3-4
CLEANING .....	5
UTENSILS .....	5-6
SET UP & INSTALLATION .....	7-8
OPERATION.....	9
TROUBLE SHOOTING.....	10

## PRECAUTIONS

### PRECAUTIONS TO AVOID POSSIBLE EXPOSURE TO EXCESSIVE MICROWAVE ENERGY

- (a) Do not attempt to operate this oven with the door open since this can result in harmful exposure to microwave energy. It is important not to break or tamper with the safety interlocks.
- (b) Do not place any object between the oven front face and the door or allow cleaner residue to accumulate on sealing surfaces.
- (c) **WARNING:** If the door or door seals are damaged, the oven must not be operated until it has been repaired by a competent person.

#### ADDENDUM

If the apparatus is not maintained in a good state of cleanliness, its surface could be degraded and affect the life span of the apparatus and lead to a dangerous situation.

## SPECIFICATIONS

Model:	MWP-MM20P(BK)/MWP-MM20P(WH)
Rated Voltage:	230V~50Hz
Power Consumption (Microwave):	1050W
Rated Output Power (Microwave):	700W
Oven Capacity:	20L
Turntable Diameter:	Φ 255mm
Outside Dimensions (W x D x H):	439.5x359x258.2mm
Net Weight:	Approx. 10.3 kg

# IMPORTANT SAFETY INSTRUCTIONS

## WARNING

To reduce the risk of fire, electric shock, injury to persons or exposure to excessive microwave oven energy when using your appliance, follow basic precautions, including the following:

1. Read and follow the specific: "PRECAUTIONS TO AVOID POSSIBLE EXPOSURE TO EXCESSIVE MICROWAVE ENERGY".
2. This appliance can be used by children and persons with reduced physical, sensory or mental capabilities or lack of experience and knowledge if they have been given supervision or instruction concerning use of the appliance in a safe way and understand the hazards involved. Children shall not play with the appliance. Cleaning and user maintenance shall not be made by children unless they are supervised.
3. Keep the appliance and its cord away from children unless they are continuously supervised.
4. If the supply cord is damaged, it must be replaced by the manufacturer, its service agent or similarly qualified persons in order to avoid a hazard.
5. WARNING: Ensure that the appliance is switched off before replacing the lamp to avoid the possibility of electric shock.
6. WARNING: It is hazardous for anyone other than a competent person to carry out any service or repair operation that involves the removal of a cover which gives protection against exposure to microwave energy.
7. WARNING: Liquids and other foods must not be heated in sealed containers since they are liable to explode.
8. When heating food in plastic or paper containers, keep an eye on the oven due to the possibility of ignition.
9. Only use utensils that are suitable for use in microwave ovens.
10. If smoke is emitted, switch off or unplug the appliance and keep the door closed in order to stifle any flames.
11. Microwave heating of beverages can result in delayed eruptive boiling, therefore care must be taken when handling the container.
12. The contents of feeding bottles and baby food jars shall be stirred or shaken and the temperature checked before consumption, in order to avoid burns.
13. Eggs in their shell and whole hard-boiled eggs should not be heated in microwave ovens since they may explode, even after microwave heating has ended.
14. The oven should be cleaned regularly and any food deposits removed.
15. Failure to maintain the oven in a clean condition could lead to deterioration of the surface that could adversely affect the life of the appliance and possibly result in a hazardous situation.
16. Only use the temperature probe recommended for this oven. (for ovens provided with a facility to use a temperature-sensing probe.)
17. The microwave oven shall not be placed in a cabinet unless it has been tested in a cabinet.
18. This appliance is intended to be used in household and similar applications such as:
  - staff kitchen areas in shops, offices and other working environments;
  - by clients in hotels, motels and other residential type environments;
  - farm houses;
  - bed and breakfast type environments.
19. The microwave oven is intended for heating food and beverages. Drying of food or clothing and heating of warming pads, slippers, sponges, damp cloth and similar may lead to risk of injury, ignition or fire.
20. Metallic containers for food and beverages are not allowed during microwave cooking.
21. The appliance shall not be cleaned with a steam cleaner.

- 22. The appliance is intended to be used freestanding.
- 23. The rear surface of appliances shall be placed against a wall.
- 24. The appliances are not intended to be operated by means of an external timer or separate remote-control system.

READ CAREFULLY AND KEEP FOR FUTURE REFERENCE

## To Reduce the Risk of Injury to Persons Grounding Installation

### **DANGER**

Electric Shock Hazard

Touching some of the internal components can cause serious personal injury or death. Do not disassemble this appliance.

### **WARNING**

Electric Shock Hazard

Improper use of the grounding can result in electric shock.  
Do not plug into an outlet until appliance is properly installed and grounded.

This appliance must be grounded. In the event of an electrical short circuit, grounding reduces the risk of electric shock by providing an escape wire for the electric current.  
This appliance is equipped with a cord having a grounding wire with a grounding plug. The plug must be plugged into an outlet that is properly installed and grounded.

Consult a qualified electrician or serviceman if the grounding instructions are not completely understood or if doubt exists as to whether the appliance is properly grounded.  
If it is necessary to use an extension cord, use only a 3-wire extension cord.

1. A short power-supply cord is provided to reduce the risks resulting from becoming entangled in or tripping over a longer cord.
2. If a long cord set or extension cord is used:
  - 1) The marked electrical rating of the cord set or extension cord should be at least as great as the electrical rating of the appliance.
  - 2) The extension cord must be a grounding-type 3-wire cord.
  - 3) The long cord should be arranged so that it will not drape over the counter top or tabletop where it can be pulled on by children or tripped over unintentionally.

## CLEANING

Be sure to unplug the appliance from the power supply.

1. Clean the cavity of the oven after using with a slightly damp cloth.
2. Clean the accessories in the usual way in soapy water.
3. The door frame and seal and neighboring parts must be cleaned carefully with a damp cloth when they are dirty.
4. Do not use harsh abrasive cleaners or sharp metal scrapers to clean the oven door glass since they can scratch the surface, which may result in shattering of the glass.
5. **Cleaning Tip**--For easier cleaning of the cavity walls that the food cooked can touch: Place half a lemon in a bowl, add 300ml (1/2 pint) water and heat on 100% microwave power for 10 minutes. Wipe the oven clean using a soft, dry cloth.

## UTENSILS

### CAUTION

#### Personal Injury Hazard

It is hazardous for anyone other than a competent person to carry out any service or repair operation that involves the removal of a cover which gives protection against exposure to microwave energy.

See the instructions on "Materials you can use in microwave oven or to be avoided in microwave oven." There may be certain non-metallic utensils that are not safe to use for microwaving. If in doubt, you can test the utensil in question following the procedure below.

Utensil Test:

1. Fill a microwave-safe container with 1 cup of cold water (250ml) along with the utensil in question.
2. Cook on maximum power for 1 minute.
3. Carefully feel the utensil. If the empty utensil is warm, do not use it for microwave cooking.
4. Do not exceed 1 minute cooking time.

## Materials you can use in microwave oven

Utensils	Remarks
Browning dish	Follow manufacturer's instructions. The bottom of browning dish must be at least 3/16 inch (5mm) above the turntable. Incorrect usage may cause the turntable to break.
Dinnerware	Microwave-safe only. Follow manufacturer's instructions. Do not use cracked or chipped dishes.
Glass jars	Always remove lid. Use only to heat food until just warm. Most glass jars are not heat resistant and may break.
Glassware	Heat-resistant oven glassware only. Make sure there is no metallic trim. Do not use cracked or chipped dishes.
Oven cooking bags	Follow manufacturer's instructions. Do not close with metal tie. Make slits to allow steam to escape.
Paper plates and cups	Use for short-term cooking/warming only. Do not leave oven unattended while cooking.
Paper towels	Use to cover food for reheating and absorbing fat. Use with supervision for a short-term cooking only.
Parchment paper	Use as a cover to prevent splattering or a wrap for steaming.
Plastic	Microwave-safe only. Follow the manufacturer's instructions. Should be labeled "Microwave Safe". Some plastic containers soften, as the food inside gets hot. "Boiling bags" and tightly closed plastic bags should be slit, pierced or vented as directed by package.
Plastic wrap	Microwave-safe only. Use to cover food during cooking to retain moisture. Do not allow plastic wrap to touch food.
Wax paper	Use as a cover to prevent splattering and retain moisture.

## Materials to be avoided in microwave oven

Utensils	Remarks
Aluminum tray	May cause arcing. Transfer food into microwave-safe dish.
Food carton with metal handle	May cause arcing. Transfer food into microwave-safe dish.
Metal or metal-trimmed utensils	Metal shields the food from microwave energy. Metal trim may cause arcing.
Metal twist ties	May cause arcing and could cause a fire in the oven.
Paper bags	May cause a fire in the oven.
Plastic foam	Plastic foam may melt or contaminate the liquid inside when exposed to high temperature.
Wood	Wood will dry out when used in the microwave oven and may split or crack.



# SET UP & INSTALLATION

## SETTING UP YOUR OVEN

### Names of Oven Parts and Accessories

Remove the oven and all materials from the carton and oven cavity.

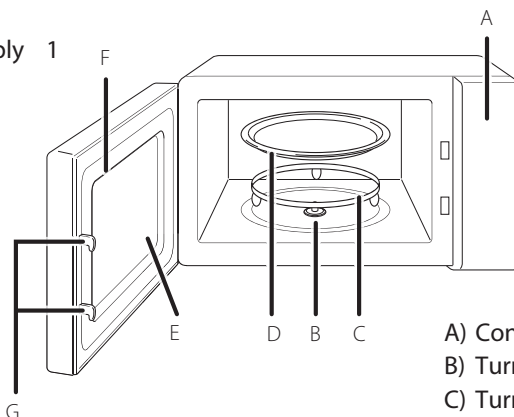
Your oven comes with the following accessories:

Glass tray 1

Turntable ring assembly 1

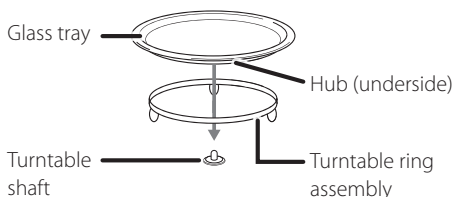
Turntable Shaft 1

Instruction Manual 1



- A) Control panel
- B) Turntable shaft
- C) Turntable ring assembly
- D) Glass tray
- E) Observation window
- F) Door assembly
- G) Safety interlock system

## Turntable Installation



- a. Never place the glass tray upside down. Follow the instruction to place the glass tray on the turntable ring with correct direction. The glass tray should rotate smoothly.
- b. Both glass tray and turntable ring assembly must always be used during cooking.
- c. All food and containers of food are always placed on the glass tray for cooking.
- d. If glass tray or turntable ring assembly cracks or breaks, contact your nearest authorized service center.

## Countertop Installation

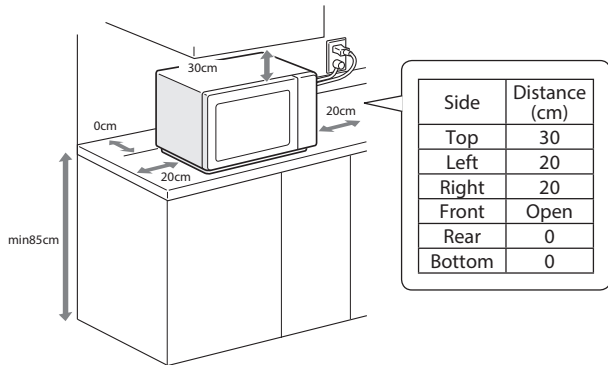
Remove all packing material and accessories. Examine the oven for any damage such as dents or broken door. Do not install if oven is damaged.

Cabinet: Remove any protective film found on the microwave oven cabinet surface.

Do not remove the light brown Mica cover that is attached to the oven cavity to protect the magnetron.

## Installation

1. Select a level surface that provide enough open space for the intake and/or outlet vents.



- (1) The minimum installation height is 85cm.
- (2) The rear surface of appliance shall be placed against a wall.  
Leave a minimum clearance of 30cm above the oven, a minimum clearance of 20cm is required between the oven and any adjacent walls.
- (3) Do not remove the legs from the bottom of the oven.
- (4) Blocking the intake and/ or outlet openings can damage the oven.
- (5) Place the oven as far away from radios and TV as possible. Operation of microwave oven may cause interference to your radio or TV reception.

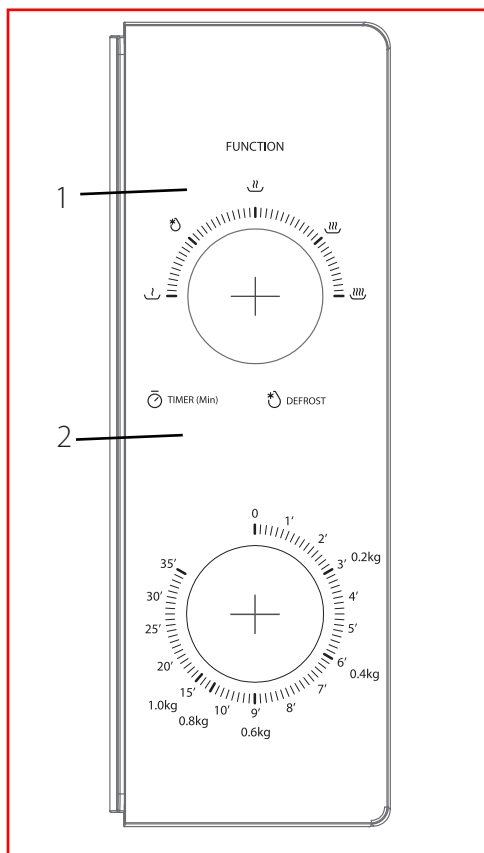
2. Plug your oven into a standard household outlet. Be sure the voltage and the frequency is the same as the voltage and the frequency on the rating label.

**WARNING:** Do not install oven over a range cooktop or other heat-producing appliance. If installed near or over a heat source, the oven could be damaged and the warranty would be void.

The accessible surface may be hot during operation.



# OPERATION



1. POWER knob

2. TIMER knob

- To set cooking power by turning POWER knob to desired level.
- To set the time of cooking by turning TIMER knob to desired time per your food cooking guide.
- The microwave oven will automatically start cooking after power level and time are set.
- After the cooking time is up, the unit will “Dong” to stop.
- If the unit is not in use, always set time to “0”.

Function/Power	Output	Application
Low	17% Micro.	Soften Ice Cream
Med. Low	33% Micro.	Soup Stew, Soften Butter or Defrost
Med.	55% Micro.	Stew, Fish
Med. High	77% Micro.	Rice, Fish, Chicken, Ground Meat
High	100% Micro.	Reheat, Milk, Boil Water, Vegetables, Beverage

**Notice:** When removing food from the oven, please ensure that the oven power is switched off by turning the timer switch to 0 (zero). Failure to do so, and operating the microwave oven without food in it, can result in overheating and damage to the magnetron.

# TROUBLE SHOOTING

## Normal

Microwave oven interfering TV reception	Radio and TV reception may be interfered when microwave oven operating. It is similar to the interference of small electrical appliance, like mixer, vacuum cleaner, and electric fan. It is normal.
Dim oven light	In low power microwave cooking, oven light may become dim. It is normal.
Steam accumulating on door, hot air out of vents	In cooking, steam may come out of food. Most will get out from vents. But some may accumulate on cool place like oven door. It is normal.
Oven started accidentally with no food in.	It is forbidden to run the until without any food inside. It is very dangerous.

Trouble	Possible Cause	Remedy
Oven can not be started.	(1) Power cord not plugged in tightly.	Unplug. Then plug again after 10 seconds.
	(2) Fuse blowing or circuit breaker works.	Replace fuse or reset circuit breaker (repaired by professional personnel of our company)
	(3) Trouble with outlet.	Test outlet with other electrical appliances.
Oven does not heat.	(4) Door not closed well.	Close door well.



According to Waste of Electrical and Electronic Equipment(WEEE) directive, WEEE should be separately collected and treated. If at any time in future you need to dispose of this product please do NOT dispose of this product with household waste. Please send this product to WEEE collecting points where available.

# TOSHIBA



## Kuchenka mikrofalowa INSTRUKCJA OBSŁUGI

Model:

# MWP-MM20P(BK) MWP-MM20P(WH)

Przed przystąpieniem do użytkowania kuchenki mikrofalowej należy uważnie przeczytać niniejszą instrukcję oraz starannie ją przechowywać.

W przypadku stosowania się do przepisów zawartych w instrukcji kuchenka zapewni użytkownikowi wiele lat wydajnego działania.

**NALEŻY STARANNIE PRZECHOWYWAĆ NINIEJSZĄ INSTRUKCJĘ**

Polski

MWP-MM20P(BK)  
MWP-MM20P(WH)

## TREŚĆ

TREŚĆ.....	1
ŚRODKI OSTROŻNOŚCI.....	2
SPECYFIKACJE .....	2
WAŻNE INSTRUKCJE DOTYCZĄCE BEZPIECZEŃSTWA .....	3-4
CZYSZCZENIE.....	5
PRZYBORY.....	5-6
USTAWIENIA I INSTALACJA.....	7-8
OBSŁUGA.....	9
ROZWIĄZYWANIE PROBLEMÓW .....	10

## ŚRODKI OSTROŻNOŚCI

### ŚRODKI OSTROŻNOŚCI, W CELU UNIKNIĘCIA MOŻLIWEGO NARAŻENIA NA NADMIERNĄ ENERGIĘ MIKROFALOWĄ

- (a) Nie przeprowadzać prób obsługi niniejszej kuchenki przy otwartych drzwiach, ponieważ może to spowodować szkodliwe narażenie na energię mikrofalową. Ważne jest, aby nie niszczyć ani nie wykonywać manipulacji przy blokadach bezpieczeństwa.
- (b) Nie umieszczać żadnych przedmiotów pomiędzy przednią powierzchnią kuchenki a drzwiczkami ani nie dopuszczać do gromadzenia się pozostałości środka czyszczącego na powierzchniach uszczelniających.
- (c) OSTRZEŻENIE: W przypadku uszkodzenia drzwi lub uszczelek, kuchenka nie może być uruchamiana dopóki nie zostanie naprawiona przez kompetentną osobę.

### ZAŁĄCZNIK

Jeżeli urządzenie nie jest utrzymywane w dobrym stanie czystości, jego powierzchnia może ulec degradacji co może wpłynąć na jego żywotność, doprowadzając do niebezpiecznej sytuacji.

## SPECYFIKACJE

Model:	MWP-MM20P(BK) /MWP-MM20P(WH)
Napięcie znamionowe:	230V~50Hz
Pobór mocy (mikrofale):	1050W
Znamionowa moc wyjściowa (mikrofale):	700W
Pojemność kuchenki:	20L
Średnica talerza obrotowego:	Φ 255 mm
Wymiary zewnętrzne (W x D x H):	439.5x359x258.2mm
Ciężar netto:	Ok. 10.3 kg



# WAŻNE INSTRUKCJE DOTYCZĄCE BEZPIECZEŃSTWA

## OSTRZEŻENIE

W celu zmniejszenia ryzyka pożaru, porażenia prądem, obrażeń ciała lub narażenia na nadmierną energię kuchenki mikrofalowej podczas korzystania z urządzenia należy przestrzegać podstawowych środków ostrożności, w tym następujących:

1. Przeczytać i postępować zgodnie ze szczegółowymi: „ŚRODKAMI OSTROŻNOŚCI, ABY UNIKAĆ MOŻLIWEGO NARAŻENIA NA NADMIERNĄ ENERGIĘ MIKROFALOWĄ”.
2. Niniejsze urządzenie może być używane przez dzieci i przez osoby o ograniczonych zdolnościach fizycznych, sensorycznych lub umysłowych bądź przez osoby nieposiadające doświadczenia i wiedzy, jeżeli są one nadzorowane lub pouczane w zakresie bezpiecznego korzystania z urządzenia oraz gdy rozumieją związane z tym zagrożenia. Dzieci nie mogą bawić się urządzeniem. Dzieci nie mogą przeprowadzać czyszczenia ani konserwacji urządzenia, o ile nie są one nadzorowane.
3. Utrzymywać urządzenie i jego przewód z dala od dzieci, chyba że są one pod stałym nadzorem.
4. Jeżeli przewód zasilający jest uszkodzony, musi on zostać wymieniony przez producenta, jego przedstawiciela lub przez podobnie wykwalifikowane osoby, aby uniknąć zagrożenia.
5. OSTRZEŻENIE: Przed wymianą lampy upewnić się, że urządzenie jest wyłączone, aby uniknąć porażenia prądem.
6. OSTRZEŻENIE: Wykonywanie jakichkolwiek czynności serwisowych lub naprawczych, które wymagają zdjęcia osłony chroniącej przed narażeniem na działanie energii mikrofalowej, jest niebezpieczne.
7. OSTRZEŻENIE: Ciecze ani inne produkty spożywcze nie mogą być podgrzewane w zamkniętych pojemnikach, ponieważ może to spowodować ich wybuch.
8. Podczas podgrzewania żywności w plastikowych lub papierowych pojemnikach należy obserwować kuchenkę ze względu na możliwość zapłonu.
9. Używać wyłącznie przyborów kuchennych odpowiednich do stosowania w kuchenkach mikrofalowych.
10. W przypadku wydzielania dymu należy wyłączyć urządzenie lub wyjąć wtyczkę z gniazdka i nie otwierać drzwi, aby stłumić płomienie.
11. Podgrzewanie napojów w kuchenke mikrofalowej może spowodować opóźnione erupcyjne gotowanie, dlatego należy zachować ostrożność podczas przemieszczania pojemnika.
12. Zawartość butelek do karmienia i stoiczków z jedzeniem dla niemowląt należy wymieszać lub wstrząsnąć, a temperaturę sprawdzić przed spożyciem, aby uniknąć poparzeń.
13. Jajka w skorupkach i całe jajka na twardo nie powinny być podgrzewane w kuchenkach mikrofalowych, ponieważ mogą eksplodować, również po zakończeniu podgrzewania mikrofalowego.
14. Kuchenka musi być czyszczona w regularnych odstępach czasu a wszelkie osady żywności usuwane.
15. Nieutrzymywanie kuchenki w czystości może doprowadzić do pogorszenia jej powierzchni, co może niekorzystnie wpłynąć na żywotność urządzenia oraz doprowadzić do niebezpiecznej sytuacji.
16. Używać wyłącznie sondy temperatury zalecanej dla tej kuchenki. (W przypadku kuchenek wyposażonych w opcję wykorzystania sondy wykrywania temperatury.)
17. Kuchenka mikrofalowa nie może być umieszczana w szafce, chyba że została przetestowana w szafce.
18. Niniejsze urządzenie jest przeznaczone do użytku domowego oraz do podobnych zastosowań, takich jak:
  - kuchnie dla personelu w sklepach, biurach i innych środowiskach pracy;
  - do użytku przez klientów w hotelach, motelach i innych obiektach mieszkalnych;
  - w gospodarstwach agroturystycznych;
  - w pensjonatach typu bed and breakfast.
19. Kuchenka mikrofalowa jest przeznaczona do podgrzewania żywności i napojów. Suszenie żywności lub odzieży oraz podgrzewanie podkładek grzewczych, kapci, gąbek, wilgotnych szmatek itp. może prowadzić do ryzyka obrażeń, zapłonu lub pożaru.
20. Metalowe pojemniki na żywność i napoje nie są dozwolone podczas gotowania w kuchenke mikrofalowej.
21. Urządzenia nie wolno czyścić z wykorzystaniem myjki parowej.

- 22. Urządzenie jest przeznaczone do użytku wolnostojącego.
- 23. Tylna powierzchnia urządzenia musi być skierowana w stronę ściany.
- 24. Urządzenie nie jest przeznaczone do obsługi za pomocą zewnętrznego timera lub oddzielnego systemu zdalnego sterowania.

**PRZECZYTAĆ UWAGA I ZACHOWAĆ W CELU PRZYSZŁYCH ODNIESIĘĆ**

## **Zmniejszenie ryzyka obrażeń osób Instalacja uziemienia**

### **NIEBEZPIECZEŃSTWO**

Zagrożenie porażenia prądem elektrycznym

Dotknięcie niektórych wewnętrznych komponentów może spowodować poważne obrażenia ciała lub śmierć.  
Nie rozbierać urządzenia na części.

### **OSTRZEŻENIE**

Zagrożenie porażenia prądem elektrycznym

Niewłaściwe użycie uziemienia może spowodować porażenie prądem elektrycznym.

Nie podłączać wtyczki do gniazdka, dopóki urządzenie nie zostanie prawidłowo zainstalowane i uziemione.

Niniejsze urządzenie musi być uziemione. W przypadku zwarcia elektrycznego uziemienie zmniejsza ryzyko porażenia prądem elektrycznym, zapewniając przewód ochronny dla prądu elektrycznego.

Niniejsze urządzenie jest wyposażone w kabel z przewodem uziemiającym z wtyczką uziemiającą. Wtyczka musi być podłączona do prawidłowo zainstalowanego i uziemionego gniazdka.

Skonsultować się z wykwalifikowanym elektrykiem lub serwisantem, w przypadku gdy instrukcje dotyczące uziemienia nie są w pełni zrozumiałe lub jeżeli istnieją wątpliwości odnośnie tego, czy urządzenie jest prawidłowo uziemione.

Jeżeli konieczne jest użycie przedłużacza, użyć wyłącznie przedłużacza 3-żyłowego.

1. Dostępny jest krótki przewód zasilający, aby zmniejszyć ryzyko wynikające z zaplątania się lub potknięcia o dłuższy przewód.
2. W przypadku użycia zestawu długiego przewodu lub przedłużacza:
  - 1) Oznaczone napięcie elektryczne zestawu przewodu lub przedłużacza powinno być co najmniej tak duże, jak napięcie elektryczne urządzenia.
  - 2) Przedłużacz musi być uziemionym 3-żyłowym przewodem.
  - 3) Długi przewód powinien być ułożony w taki sposób, aby nie opadał na blat na którym mógłby zostać pociągnięty przez dzieci lub mógłby spowodować przypadkowe potknięcie.

## CZYSZCZENIE

Należy pamiętać, aby odłączyć urządzenie od zasilania.

1. Po użyciu wyczyścić komorę kuchenki lekko wilgotną szmatką.
2. Wymyć akcesoria tak jak zwykle w wodzie z mydłem.
3. Rama drzwi i uszczelka oraz sąsiednie części muszą być starannie oczyszczone wilgotną szmatką, gdy są zanieczyszczone.
4. Nie używać szorstkich środków ściernych ani ostrych skrobaków metalowych do czyszczenia szyby drzwiczek kuchenki, ponieważ mogą one porysować powierzchnię, co może spowodować do rozbicia szyby.
5. Wskazówka dotycząca czyszczenia---W celu łatwiejszego czyszczenia ścian komory, z którymi może mieć styczność żywność: Umieścić połówkę cytryny w misce, dodać 300 ml (1 filiżanka) wody i podgrzewać na 100% mocy mikrofalowej przez 10 minut. Wytrzeć kuchenkę do czysta miękką i suchą ściereczką.

## PRZYBORY

### UWAGA

### Ryzyko obrażeń osobistych

Wykonywanie jakichkolwiek czynności serwisowych lub naprawczych, które wymagają zdjęcia osłony chroniącej przed narażeniem na działanie energii mikrofalowej, jest niebezpieczne.

Zapoznać się z instrukcjami dotyczącymi „Materiałów, które można stosować w kuchenke mikrofalowej lub których należy unikać w kuchenke mikrofalowej”. Mogą istnieć pewne niemetalowe przybory, których nie można bezpiecznie używać w kuchenkach mikrofalowych. W przypadku wątpliwości możliwe jest przetestowanie danego przyboru, wykonując poniższą procedurę.

Test przyborów:

1. Włączyć do pojemnika bezpiecznego do użycia w kuchenke mikrofalowej 1 szklanekę zimnej wody (250 ml) i włożyć przybory.
2. Gotować na maksymalnej mocy przez 1 minutę.
3. Ostrożnie dotknąć przyborów. Jeżeli puste przybory są ciepłe, nie używać ich do gotowania w kuchenke mikrofalowej.
4. Nie przekraczać czasu gotowania 1 minutę.

## Materiały, których można używać w kuchence mikrofalowej

Przybory	Uwagi
Naczynie do rumienienia	Postępować zgodnie z instrukcjami producenta. Dno naczynia do rumienienia musi znajdować się co najmniej 6 mm nad talerzem obrotowym. Nieprawidłowe użytkowanie może spowodować uszkodzenie talerza obrotowego.
Zastawa stołowa	Tylko do użytku w kuchence mikrofalowej. Postępować zgodnie z instrukcjami producenta. <b>Nie używać popękanych lub wyszczerbionych naczyń.</b>
Szklane słoiki	Zawsze zdejmować pokrywkę. Używać wyłącznie do lekkiego podgrzewania żywności. Większość szklanych słoików nie jest odporna na bardzo wysoką temperaturę i dlatego może pęknąć.
Naczynia szklane	Tylko żaroodporne szklane naczynia do kuchenek. Upewnić się, że nie ma metalowego wykończenia. <b>Nie używać popękanych lub wyszczerbionych naczyń.</b>
Torebki do gotowania w kuchence	Postępować zgodnie z instrukcjami producenta. Nie zamykać metalową opaską. Wykonać szczeliny, aby umożliwić ujęcie pary.
Papierowe talerze i kubki	Używać tylko do krótkotrwałego gotowania/podgrzewania. Nie pozostawiać kuchenki bez nadzoru podczas gotowania.
Papierowe ręczniki	Używać do przykrycia żywności w celu ponownego podgrzania i pochłaniania tłuszczu. <b>Używać pod nadzorem wyłącznie do krótkotrwałego gotowania.</b>
Pergamin	Używać jako osłony, aby zapobiec rozpryskiwaniu lub do owijania podczas gotowania na parze.
Plastik	Tylko do użytku w kuchence mikrofalowej. Postępować zgodnie z instrukcjami producenta. Powinien być oznaczony jako „Bezpieczny do stosowania w kuchenkach mikrofalowych”. Niektóre plastikowe pojemniki miękkną podczas podgrzewania obecnej w nich żywności. „Torebki do gotowania” i szczelnie zamknięte torby plastikowe należy przecinać, przekłuwać lub wentylować zgodnie z instrukcją na opakowaniu.
Folia plastikowa	Tylko do użytku w kuchence mikrofalowej. Używać do przykrycia żywności podczas gotowania, w celu zatrzymania wilgoci. Nie dopuszczać do tego, aby folia dotykała żywności.
Papier woskowany	Używać jako osłony, aby zapobiec rozpryskom i zatrzymać wilgoć.

## Materiały, których należy unikać w kuchence mikrofalowej

Przybory	Uwagi
Tacka aluminiowa	Może powodować iskrzenie. Przenieść żywność do naczynia bezpiecznego do użycia w kuchenkach mikrofalowych.
Karton spożywczy z metalowym uchwytem	Może powodować iskrzenie. Przenieść żywność do naczynia bezpiecznego do użycia w kuchenkach mikrofalowych.
Przybory metalowe lub z obrzeżem metalowym	Metal ekranuje żywność przed energią mikrofalową. Obrzeża metalowe mogą powodować wyładowania łukowe.
Zapięcia metalowe	Mogą powodować wyładowania łukowe i mogą spowodować pożar w kuchence.
Torebki papierowe	Mogą spowodować pożar w kuchence.
Pianka plastikowa	Pianka plastikowa może ulegać stopieniu lub zanieczyścić znajdujący się w środku płyn podczas narażenia na wysoką temperaturę.
Drewno	Drewno wysycha, gdy jest używane w kuchence mikrofalowej oraz może rozszepać się lub pękać.

# PROGRAMOWANIE I INSTALACJA

## PROGRAMOWANIE KUCHENKI

Nazwy części i akcesoriów kuchenki

Wyjąć kuchenkę i wszystkie materiały z kartonu oraz z komory kuchenki.

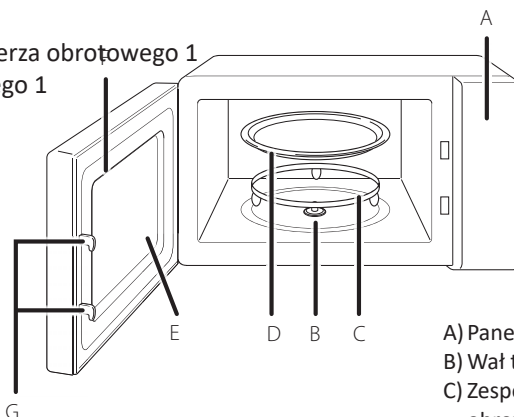
Kuchenka mikrofalowa jest dostarczana z następującymi akcesoriami:

Szklana taca 1

Zespół pierścienia talerza obrotowego 1

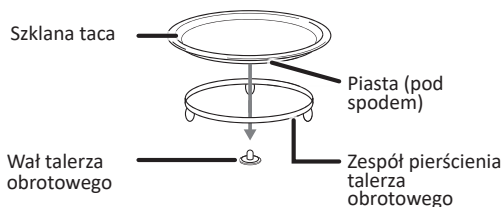
Wał talerza obrotowego 1

Instrukcja obsługi 1



- A) Panel sterowania
- B) Wał talerza obrotowego
- C) Zespół pierścienia talerza obrotowego
- D) Szklana taca
- E) Okno obserwacyjne
- F) Zespół drzwi
- G) System blokady bezpieczeństwa

## Instalacja talerza obrotowego



- a. Nigdy nie umieszczać szklanej tacy spodem do góry. Postępować zgodnie z instrukcjami, aby umieścić szklaną tacę na pierścieniu obrotowym we właściwym kierunku. Szklana taca powinna obracać się płynnie.
- b. Zarówno szklana taca jak i zespół pierścienia talerza obrotowego muszą być zawsze używane podczas gotowania.
- c. Cała żywność i pojemniki z żywnością muszą być zawsze umieszczane do gotowania na szklanej tacy.
- d. Jeżeli szklana taca lub zespół pierścienia talerza obrotowego ulegną pęknięciu bądź uszkodzeniu należy skontaktować się z najbliższym autoryzowanym punktem serwisowym.

## Instalacja na blacie

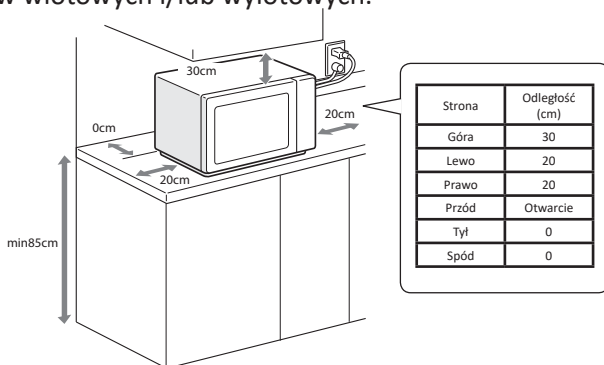
Usunąć wszystkie materiały opakowaniowe i akcesoria. Sprawdzić kuchenkę pod kątem uszkodzeń, takich jak wgniecenia lub pęknięte drzwi. Nie przeprowadzać instalacji w przypadku uszkodzenia kuchenki.

Obudowa: Usunąć wszelką folię ochronną z powierzchni obudowy kuchenki mikrofalowej.

Nie zdejmować jasnobrązowej pokrywy z miki, która jest przymocowana do komory piekarnika, aby chronić magnetron

## Instalacja

1. Wybrać poziomą powierzchnię, która zapewnia wystarczającą otwartą przestrzeń dla otworów wlotowych i/lub wylotowych.



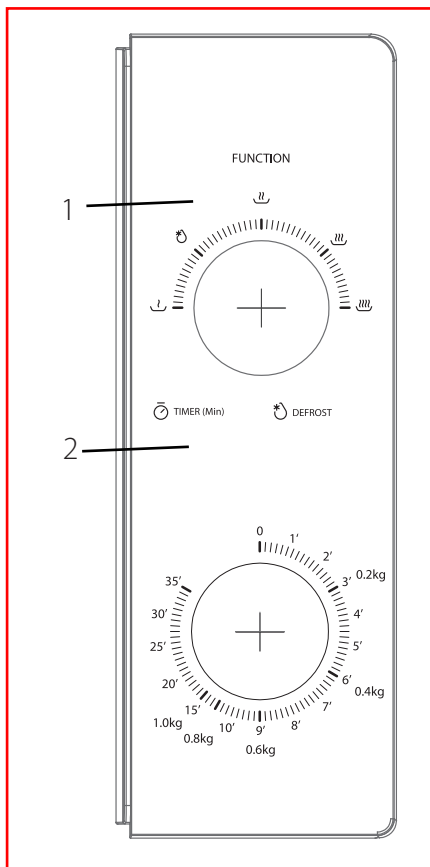
- (1) Minimalna wysokość instalacji wynosi 85 cm.
  - (2) Tylna powierzchnia urządzenia musi być skierowana w stronę ściany. Pozostawić minimalny odstęp 30 cm nad kuchenką, wymagany jest minimalny odstęp 20 cm pomiędzy kuchenką a sąsiadującymi ścianami.
  - (3) Nie zdejmować nóżek z dolnej części kuchenki.
  - (4) Zablockowanie otworów wlotowych i/lub wylotowych może spowodować uszkodzenie kuchenki.
  - (5) Ustawić kuchenkę w możliwie jak największej odległości od odbiorników radiowych i telewizyjnych. Działanie kuchenki mikrofalowej może powodować zakłócenia w odbiorze radia lub telewizji.
2. Podłączyć kuchenkę do standardowego gniazdka domowego. Upewnić się, że napięcie i częstotliwość są takie same jak napięcie i częstotliwość określone na tabliczce znamionowej.

**OSTRZEŻENIE:** Nie instalować kuchenki nad płytą kuchenną lub innym urządzeniem wytwarzającym ciepło. W przypadku zainstalowania kuchenki w pobliżu lub nad źródłem ciepła, może ona zostać uszkodzona powodując unieważnienie gwarancji.

Dostępna powierzchnia może być gorąca podczas pracy.



## OBSŁUGA



1. Pokrętko POWER (moc)
2. Pokrętko TIMERA

- Aby ustawić moc gotowania, obracając pokrętko POWER (moc) na pożądany poziom.
- Aby ustawić czas gotowania, obracając pokrętko TIMER (regulator czasowy) na pożądany czas, zgodnie z instrukcją gotowania potraw.
- Kuchenka mikrofalowa rozpocznie automatyczne gotowanie po ustawieniu poziomu mocy i czasu.
- Po upływie czasu gotowania urządzenie wyda dźwięk i zatrzyma się.
- Jeżeli urządzenie nie jest używane, zawsze ustawić czas na „0”.

Funkcja/moc	Wynik	Zastosowanie
Niska	17% Micro.	Zmiękczenie lodów
Średnio Niska (odmrażanie)	33% Micro.	Zupa gulasz, zmiękczenie masła lub rozmrażanie
Średnia	55% Micro.	Gulasz, ryba
Średnio Wysoka	77% Micro.	Ryż, ryba, kurczak, mięso mielone
Wysoka	100% Micro.	Ogrzewanie, mleko, gotowanie wody, warzywa, napoje

Uwaga: Podczas wyjmowania żywności z kuchenki należy upewnić się, że jej zasilanie jest wyłączone, ustawiając wyłącznik czasowy w pozycji 0 (zero). Nieprzestrzeganie tego zalecenia i działanie kuchenki mikrofalowej bez żywności w komorze może doprowadzić do przegrzania oraz do uszkodzenia magnetronu.

## ŚRODKI OSTROŻNOŚCI

Sytuacja normalna	
Kuchenka mikrofalowa zakłóca odbiór telewizji	Odbiór radia i telewizji może być zakłócony podczas pracy kuchenki mikrofalowej. Jest on podobny do zakłóceń powodowanych przez małe urządzenia elektryczne, jak mikser, odkurzacz i wentylator elektryczny. Jest to zjawisko normalne.
Przygaszone światło kuchenki	Przy gotowaniu w kuchenke z małą mocą światło może być przygaszone. Jest to zjawisko normalne.
Para gromadzi się na drzwiach, gorące powietrze wychodzi przez otwory wentylacyjne.	Podczas gotowania z żywności może wydzielać się para. Większość z niej uchodzi przez otwory wentylacyjne. Jej część może jednak gromadzić się w chłodnych miejscach, takich jak drzwi kuchenki. Jest to zjawisko normalne.
Kuchenka została uruchomiona przypadkowo bez żywności w komorze.	Zabrania się uruchamiania kuchenki bez żywności w jej komorze. Jest to bardzo niebezpieczne.

Problem	Możliwa przyczyna	Środek zaradczy
Nie można uruchomić kuchenki.	(1) Przewód zasilający nie jest podłączony prawidłowo.	Wyjąć wtyczkę. Następnie ponownie podłączyć po 10 sekundach.
	(2) Przepalony bezpiecznik lub zadziałał wyłącznik automatyczny.	Wymienić bezpiecznik lub zresetować wyłącznik automatyczny (naprawiony przez profesjonalny personel naszej firmy).
	(3) Problem z gniazdkiem.	Przetestować gniazdko przy użyciu innych urządzeń elektrycznych
Kuchenka nie nagrzewa się.	(4) Drzwi nie są zamknięte prawidłowo.	Zamknąć prawidłowo drzwi.



Według odpadów sprzętu elektrycznego i elektronicznego (WEEE), WEEE należy zbierać oddzielnie i leczyć. Jeśli kiedykolwiek w przyszłości będziesz musiał się tego pozbyć produktu Proszę NIE wyrzucać tego produktu wraz z domem arnotrawstwo. Prosimy o przesłanie tego produktu do punktów zbiórki WEEE dzie jest dostępny.



# TOSHIBA



Mikrovlnná trouba  
**NÁVOD K POUŽITÍ**

Model:

**MWP-MM20P(BK)**  
**MWP-MM20P(WH)**

**Před použitím mikrovlnné trouby si pečlivě přečtěte tento návod a důsledně jej dodržujte.**

Pokud budete dodržovat tyto pokyny, mikrovlnná trouba vám bude sloužit mnoho let.

**USCHOVEJTE TENTO NÁVOD NA BEZPEČNÉ MÍSTO**

Čeština

MWP-MM20P(BK)  
MWP-MM20P(WH)

## OBSAH

OBSAH .....	1
PREVENTIVNÍ OPATŘENÍ .....	2
TECHNICKÉ PODMÍNKY.....	2
DŮLEŽITÉ BEZPEČNOSTNÍ POKYNY .....	3-4
ČIŠTĚNÍ .....	5
NÁDOBÍ .....	5-6
NASTAVENÍ A INSTALACE .....	7-8
POUŽÍVÁNÍ.....	9
ODSTRAŇOVÁNÍ ZÁVAD.....	10

## PREVENTIVNÍ OPATŘENÍ

### PREVENTIVNÍ OPATŘENÍ NA OCHRANU PŘED PŘÍPADNÝM VYSTAVENÍM PŮSOBNÍ MIKROVLNNÉ ENERGIE

- (a) Nepokoušejte se používat tuto troubu s otevřenými dvířky, jinak může dojít ke škodlivému vystavení působení mikrovlnné energie. V žádném případě nemanipulujte s bezpečnostními pojistkami, ani je nevyřazujte s funkce.
- (b) Nevkládejte žádné předměty mezi přední stranu trouby a dvířka, dále zamezte hromadění zbytků čisticích prostředků na těsnicích površích.
- (c) VAROVÁNÍ: v případě poškození dvířek nebo jejich těsnění nesmí být trouba používána, dokud ji odborně způsobilá osoba neopraví.

### DOPLŇUJÍCÍ INFORMACE

Pokud není spotřebič udržován v čistotě, může dojít k poškození jeho povrchu a zkrácení životnosti spotřebiče; dále to může vést k nebezpečným situacím.

## TECHNICKÉ PODMÍNKY

Model:	MWP-MM20P(BK)/MWP-MM20P(WH)
Jmenovité napětí:	230V~50Hz
Příkon (mikrovlnný):	1050W
Jmenovitý výkon (mikrovlnný):	700W
Objem trouby:	20L
Průměr otočného talíře:	Φ 255 mm
Vnější rozměry (Š x H x V):	439,5x359x258,2mm
Čistá hmotnost:	příbl. 10,3 kg

# DŮLEŽITÉ BEZPEČNOSTNÍ POKYNY

## VAROVÁNÍ

Aby se snížilo riziko požáru, zásahu elektrickým proudem, zranění nebo vystavení nadměrného působení energie mikrovlnné trouby při používání spotřebiče dodržujte základní preventivní opatření, včetně následujících:

1. Přečtěte si a dodržujte specifická „PREVENTIVNÍ OPATŘENÍ NA OCHRANU PŘED PŘÍPADNÝM VYSTAVENÍM PŮSOBENÍ MIKROVLNNÉ ENERGIE“.
2. Tento spotřebič smí používat děti a osoby se sníženými fyzickými, smyslovými nebo duševními schopnostmi nebo s nedostatečnými zkušenostmi nebo znalostmi, jsou-li pod dohledem nebo pokud byly poučeny o bezpečném způsobu používání spotřebiče a porozuměli s tím souvisejícím rizikům. Děti si se zařízením nesmí hrát. Čištění a údržbu nesmí provádět děti bez dozoru.
3. Uchovávejte spotřebič a jeho napájecí kabel mimo dosah dětí, pokud nejsou pod trvalým dozorem.
4. V případě poškození napájecího kabelu jej musí vyměnit výrobce, jeho servisní zástupce nebo podobně odborně způsobilé osoby, aby se zamezilo nebezpečí.
5. VAROVÁNÍ: před vyměňováním žárovky vždy spotřebič vypněte, aby se zamezilo případnému zásahu elektrickým proudem.
6. VAROVÁNÍ: Provádění servisních úkonů a oprav zahrnujících sejmutí krytu zajišťujícího ochranu proti mikrovlnné energii je nebezpečné pro každého, kromě odborně způsobilých osob.
7. VAROVÁNÍ: kapaliny a jiné potraviny se nesmí ohřívat v uzavřených nádobách, jelikož hrozí nebezpečí vybuchnutí.
8. Při ohřívání potravin v plastových nebo papírových obalech sledujte troubu, aby se zamezilo případnému zapálení.
9. Používejte pouze nádobí určené pro použití v mikrovlnných troubách.
10. Pokud zpozorujete kouř, spotřebič vypněte nebo odpojte od sítě a nechte dvířka zavřená, aby se případný oheň udušil.
11. Mikrovlnný ohřev nápojů může způsobit zpožděný eruptivní var a proto je nutno při manipulaci s nádobou postupovat opatrně.
12. Před podáním je nutno obsah dětských saviček a krmicích lahví promíchat nebo protřepat a pak zkontrolovat teplotu, aby se zamezilo popálení.
13. Vejce ve skořápce a celá vejce uvařená natvrdo by neměla být v mikrovlnných troubách ohřívána, jelikož mohou vybuchnout i po ukončení ohřívání v mikrovlnné troubě.
14. Troubu je třeba pravidelně čistit a odstraňovat zbytky jídla.
15. Pokud není spotřebič udržován v čistotě, může dojít k poškození jeho povrchu a zkrácení životnosti spotřebiče; dále to může vést k nebezpečným situacím.
16. Používejte pouze teploměr doporučený pro tuto troubu (platí pro trouby vybavené zařízením pro použití teploměru).
17. Mikrovlnnou troubu neumísťujte do skříně, pokud nebyla její funkce ve skříně ověřena.
18. Tento spotřebič je určen k použití v domácnosti a v podobných aplikacích, jako např.:
  - kuchyňské koutky pro personál v prodejnách, kancelářích nebo jiných pracovištích;
  - hosté v hotelech, motelech a v jiných prostředích ubytovacího typu;
  - farmy;
  - krátkodobá ubytovací zařízení.
19. Mikrovlnná trouba je určena k ohřívání potravin a nápojů. Sušení potravin nebo oděvů a zahřívání ohřívacích podložek, pantoflí, mycích houbiček, mokrých oděvů apod. může vést k nebezpečí zranění, zapálení nebo požáru.
20. Při mikrovlnném vaření nejsou přípustné kovové nádoby na potraviny a nápoje.
21. Tento spotřebič nesmí být čistěn parním čistícím zařízením.

22. Tento spotřebič je určen k použití jako volně stojící.

23. Zadní strana spotřebiče musí stát proti stěně.

24. Tento spotřebič není určen k ovládání externím časovačem nebo nezávislým dálkovým ovladačem.

PEČLIVĚ SI NÁVOD PŘEČTĚTE A USCHOVEJTE PRO PŘÍPADNÉ NAHLÉDNUTÍ

## Snížení rizika zranění uzemnění instalace

### NEBEZPEČÍ

Nebezpečí zásahu elektrickým proudem

Při dotyku vnitřních součástí může dojít k vážnému zranění nebo usmrcení. Spotřebič nerozebírejte.

### VAROVÁNÍ

Nebezpečí zásahu elektrickým proudem

Nesprávné použití uzemnění může způsobit zásah elektrickým proudem.

Nezapojte spotřebič do zásuvky, dokud není řádně instalován a uzemněn.

Tento spotřebič musí být uzemněn. V případě elektrického zkratu snižuje uzemnění nebezpečí zásahu elektrickým proudem zajištěním vodiče pro svedení elektrického proudu.

Tento spotřebič je vybaven napájecím kabelem obsahujícím uzemňovací vodič s uzemněnou zástrčkou. Zástrčka musí být připojena do řádně nainstalované a uzemněné zásuvky.

Pokud dokonale nerozumíte pokynům k uzemnění nebo máte pochybnosti o řádném uzemnění spotřebiče, obraťte se na odborně způsobilého elektrikáře.

Pokud je nutné použít prodlužovací kabel, používejte pouze 3vodičový typ.

1. Dodáváme krátký napájecí kabel, aby se omezilo nebezpečí zamotání nebo klopýtnutí přes delší kabel.
2. Při použití delšího nebo prodlužovacího napájecího kabelu:
  - 1) Jmenovité elektrické parametry delšího nebo prodlužovacího kabelu musí nejméně odpovídat jmenovitým elektrickým parametrům spotřebiče.
  - 2) Prodlužovací kabel musí být 3hodičového uzemněného typu.
  - 3) Dlouhý kabel by měl být uspořádán tak, aby nevisel z kuchyňské linky nebo ze stolu, kde by za něj mohly tahat děti nebo kde hrozí nebezpečí klopýtnutí.

## Čištění

Před čištěním vždy odpojte spotřebič od zdroje napájení.

1. Po použití vyčistěte vnitřní prostor trouby lehce navlhčeným hadříkem.
2. Příslušenství čistěte obvyklým způsobem v mýdlové vodě.
3. Rám a těsnění dvířek a sousední díly je nutno v případě znečištění čistit opatrně vlhkým hadříkem.
4. K čištění skla na dvířkách trouby nepoužívejte hrubé abrazivní čisticí prostředky ani ostré kovové škrabky, mohlo by dojít k poškrábání skla.
5. Tip k čištění – snadnější čištění stěn vnitřního prostoru, které mohou přijít do styku s připravovanými potravinami: vložte půl citronu do kbelíku, přidejte 300 ml (12/ pinty) vody a zahřívejte na 100 % mikrovlnného výkonu po dobu 10 minut. Otřete troubu měkkým, suchým hadříkem.

## NÁDOBÍ

### POZOR

### Nebezpečí zranění

Provádění servisních úkonů a oprav zahrnujících sejmutí krytu zajišťujícího ochranu proti mikrovlnné energii je nebezpečné pro každého, kromě odborně způsobilých osob.

Viz pokyny uvedené v části „Materiály, které můžete v mikrovlnné troubě používat“ a „Materiály, které v mikrovlnné troubě nepoužívejte“.

Existuje nekovové nádobí, které nelze bezpečně používat pro mikrovlnný ohřev. V případě pochybností můžete příslušné nádobí vyzkoušet následovně.

Zkouška nádobí:

1. Naplňte nádobu vhodnou pro mikrovlnný ohřev šálkem vody (250 ml) a postavte ji vedle zkoušeného nádobí.
2. Ohřívejte na maximum 1 minutu.
3. Opatrně se nádobí dotkněte. Pokud je prázdné nádobí horké, pak jej v mikrovlnné troubě nepoužívejte.
4. Nepřekračujte dobu ohřevu 1 minutu.

## Materiály, které můžete v mikrovlnné troubě používat

Nádobí	Uwagi
Zapékací keramické nádobí	Dodržujte pokyny výrobce. Dno zapékací mísy musí být nejméně 5 mm (316/ palce) nad otočným talířem. Při nesprávném použití může dojít k prasknutí otočného talíře.
Servírovací nádobí	Pouze vhodné pro mikrovlnný ohřev. Dodržujte pokyny výrobce. Nepoužívejte prasklé nebo oprýskané nádobí.
Skleněné lahve	Vždy sejměte víko. Používejte jen k ohřevu, dokud není potrava teplá. Většina skleněných lahví není žáruvzdorná a může dojít k prasknutí.
Skleněné nádobí	Pouze nádobí ze žáruvzdorného skla. Nesmí obsahovat kovové zdobení. Nepoužívejte prasklé nebo oprýskané nádobí.
Varné sáčky do trouby	Dodržujte pokyny výrobce. Nezavírat kovovou sponkou. Sáček propíchněte, aby mohla unikát pára.
Papírové talíře a kelímky	Používejte jen ke krátkodobému vaření/ohřevu. Při ohřívání nenechávejte takové nádobí bez dozoru.
Papírové utěrky	Používejte k zakrytí potravin pro předeštev a vsáknutí mastnoty. Používejte jen ke krátkodobému ohřevu pod dozorem.
Pergamenový papír	Používejte k zakrytí, aby se zamezilo rozstříku, nebo k zabalení při ohřívání v páře.
Plasty	Pouze vhodné pro mikrovlnný ohřev. Dodržujte pokyny výrobce. Měly by být označeny jako „Vhodné pro mikrovlnný ohřev“. Některé plastové nádoby měknou, když se potraviny uvnitř ní zahřívají. „Varné sáčky“ a těsně uzavřené plastové sáčky by měly být propíchnuty nebo odvětrávány dle pokynů na obalu.
Plastové obalové materiály	Pouze vhodné pro mikrovlnný ohřev. Používejte k zakrytí potravin při vaření, aby se v nich udržela vlhkost. Zamezte styku plastových obalových materiálů s potravinami.
Voskový papír	Používejte k zakrytí, aby se zamezilo rozstříku, a pro udržení vlhkosti v potravinách.

## Materiály, které v mikrovlnné troubě nepoužívejte

Nádobí	Poznámky
Hliníkový táč	Může způsobovat jiskření. Přendejte potraviny na talíř, který lze používat pro mikrovlnný ohřev.
Krabice na potraviny s kovovým držadlem	Může způsobovat jiskření. Přendejte potraviny na talíř, který lze používat pro mikrovlnný ohřev.
Kovové nádobí nebo nádobí zdobené kovem	Kov stíní potraviny před mikrovlnnou energií. Kovové zdobení může způsobovat jiskření.
Kovové svorky	Mohou způsobovat jiskření a požár v troubě.
Papírové sáčky	Mohou způsobovat požár v peci.
Plastová pěna	Plastová pěna se může roztavit nebo znečistit kapalinu v troubě při vystavení vysokým teplotám.
Dřevo	Při používání v mikrovlnné troubě může dřevo vyschnout a štípat se nebo praskat.



# NASTAVENÍ A INSTALACE

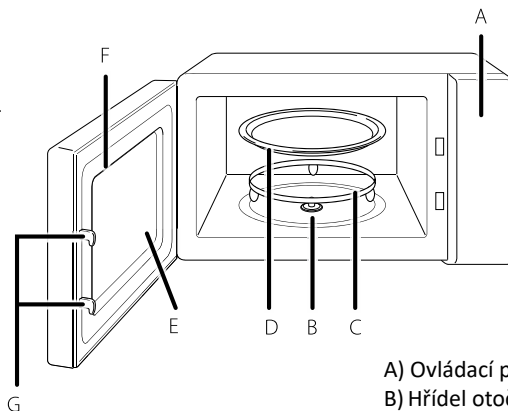
## NASTAVENÍ TROUBY

Názvy dílů a příslušenství trouby

Vyjměte troubu a veškeré díly a materiály z krabice a vnitřního prostoru trouby.

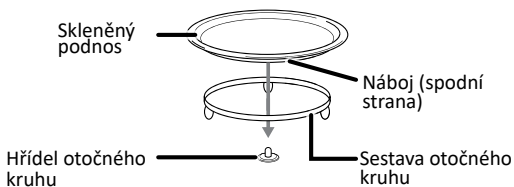
K troubě dodáváme následující příslušenství:

Skleněný podnos 1  
Sestava otočného kruhu 1  
Hřídel otočného kruhu 1  
Návod k použití 1



- A) Ovládací panel
- B) Hřídel otočného kruhu
- C) Sestava otočného kruhu
- D) Skleněný podnos
- E) Pozorovací okno
- F) Sestava dvířek
- G) Bezpečnostní blokovací systém

## Instalace otočného kruhu



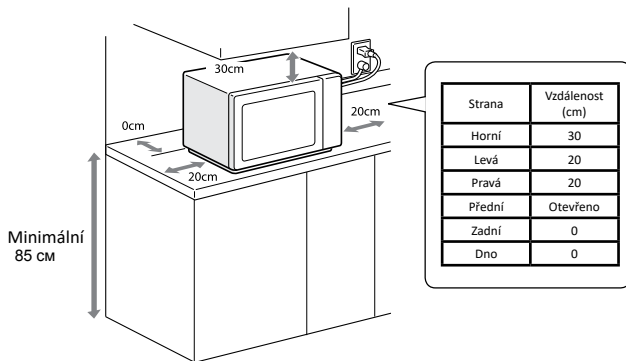
- a. Nikdy nevkládejte skleněný podnos vzhůru nohama. Dodržujte pokyny pro nasazení skleněného podnosu na otočný kruh ve správném směru. Skleněný podnos by se měl plynule otáčet.
- b. Při vaření je nutno vždy používat jak skleněný podnos, tak sestavu otočného stolu.
- c. Při vaření se veškeré potraviny a nádoby s potravinami vždy pokládají na skleněný podnos.
- d. V případě prasknutí skleněného podnosu nebo sestavy otočného kruhu se obraťte na nejbližší autorizované servisní středisko.

## Instalace na pracovní desku

Sejměte veškerý obalový materiál a příslušenství. Zkontrolujte, zda není trouba poškozená, např. škrábance nebo prasklá dvířka. Poškozenou troubu neinstalujte. Skříň: sejměte veškeré ochranné vrstvy z povrchu skříňové mikrovlnné trouby. Neodstraňujte světle hnědý slídový kryt připevněný ke vnitřnímu prostoru trouby za účelem ochrany magnetronu.

## Instalace

1. Vyberte rovný povrch, který umožňuje dostatečný prostor pro vstupní/výstupní větrací otvory.



- (1) Minimální instalační výška je 85 cm.
- (2) Zadní strana spotřebiče musí stát proti stěně.  
Zajistěte minimální prostor nad troubou 30 cm, mezi troubou a jakoukoliv sousední stěnou je nutno zajistit minimální prostor 20 cm.
- (3) Nesundávejte nožky ze spodní části trouby.
- (4) Zakrývání vstupních a/nebo výstupních otvorů může troubu poškodit.
- (5) Umístěte troubu co nejdále od radiových a TV přijímačů. Provoz mikrovlnné trouby může způsobovat rušení příjmu radiového nebo TV signálu.

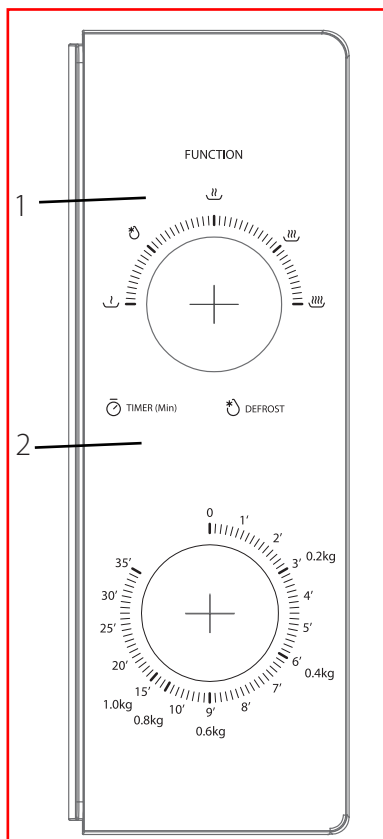
2. Připojte troubu do standardní zásuvky pro domácnosti. Zajistěte, aby napětí a frekvence odpovídaly hodnotám uvedeným na typovém štítku.

**VAROVÁNÍ:** Neinstalujte troubu nad sporáky ani jiné spotřebiče vyvíjející teplo. V případě instalace v blízkosti zdroje tepla může dojít k poškození trouby, na což se záruka nevztahuje.

Přístupný povrch může být za provozu horký.



# POUŽÍVÁNÍ



1. Ovladač POWER (výkon)
2. Ovladač TIMER (časovač)

- Nastavení ohřívacího výkonu provedete otočením ovladače POWER (výkon) na požadovanou úroveň.
- Nastavení času ohřevu provedete otočením ovladače TIMER (časovač) na požadovaný čas dle pokynů k ohřevu vaší potraviny.
- Po nastavení úrovně výkonu a času se mikrovlnná trouba automaticky zapne.
- Po uplynutí doby ohřevu spotřebič „cinkne“ a vypne se.
- Pokud se spotřebič nepoužívá, vždy nastavte čas na hodnotu „0“.

Funkce/výkon	Výkon	Použití
Nízký	17 % mikrovlny	Změknutí zmrzliny
Střední Nízký (rozmrazování)	33% mikrovlny	Polévka, dušená masa, změkčování másla nebo rozmrazování
Střední	55% mikrovlny	Dušená masa, ryba
Střední Vysoký	77% mikrovlny	Rýže, ryba, kuře, mleté maso
Vysoký	100% mikrovlny	Ohřívání, mléko, vařící voda, zelenina, nápoje

Upozornění: Při vyndávání potravin z trouby vždy zajistěte vypnutí výkonu trouby otočením časovače do polohy 0 (nula). Pokud tak neučiníte a provozujete troubu bez potravin uvnitř, může dojít k přehřátí a poškození magnetronu

## ODSTRAŇOVÁNÍ ZÁVAD

Běžné situace	
Mikrovlnná trouba ruší příjem TV signálu	Příjem radiového a TV signálu může být za provozu mikrovlnné trouby rušen. Jde o rušení podobné jiným malým elektrickým spotřebičům, např. mixéru, vysavače a fénu. Jde o běžný jev.
Tlumené světlo trouby	Při nízkém výkonu mikrovlnné trouby může být světlo trouby ztlumené. Jde o běžný jev.
Kondenzování páry na dvířkách, z větracích otvorů vychází horký vzduch	Při vaření může z potravin vystupovat pára. Většina páry vychází z větracích otvorů. Část ovšem může kondenzovat na chladných površích, např. na dvířkách trouby. Jde o běžný jev.
Trouba se náhodně zapnula, aniž jsou uvnitř potraviny.	Je zakázáno provozovat troubu, když nejsou uvnitř potraviny. Je to velmi nebezpečné.

Problém	Možná příčina	Řešení
Troubu nelze zapnout.	(1) Napájecí kabel není pevně zapojen.	Odpojte jej. Pak jej znovu připojte za 10 sekund.
	(2) Aktivovala se pojistka nebo jistič.	Vyměňte pojistku nebo resetujte jistič (opravu provádí odborný personál naší společnosti)
	(3) Problém se zásuvkou.	Vyzkoušejte zásuvku s jinými elektrospotřebiči.
Trouba neohřívá.	(4) Dvířka nejsou těsně zavřená.	Zavřete dvířka.



Podle směrnice o odpadních elektrických a elektronických zařízeních (OEEZ) je nutno odpadní elektrická a elektronická zařízení shromažďovat a zpracovávat odděleně. Pokud budete muset tento výrobek někdy v budoucnu zlikvidovat, NEVYHAZUJTE jej do komunálního odpadu. Odevzdejte tento výrobek na místě určeném ke sběru odpadních elektrických a elektronických zařízení, pokud je k dispozici.

# TOSHIBA



Cuptor cu microunde

## MANUAL DE INSTRUCȚIUNI

Model:

**MWP-MM20P(BK)**  
**MWP-MM20P(WH)**

Citiți aceste instrucțiuni cu atenție înainte de a utiliza cuptorul cu microunde și păstrați-le cu grijă.

Dacă urmați aceste instrucțiuni, veți putea utiliza cuptorul timp de mulți ani.

**PĂSTRAȚI ACESTE INSTRUCȚIUNI CU GRIJĂ**

MWP-MM20P(BK)  
MWP-MM20P(WH)

## CUPRINS

CUPRINS .....	1
PRECAUȚII .....	2
SPECIFICAȚII.....	2
INSTRUCȚIUNI IMPORTANTE PRIVIND SIGURANȚA .....	3-4
CURĂȚARE.....	5
USTENSILE .....	5-6
SETARE ȘI INSTALARE .....	7-8
FUNCȚIONARE .....	9
SOLUȚIONAREA PROBLEMELOR .....	10

## PRECAUȚII

### PRECAUȚII PENTRU A EVITA POSIBILA EXPUNERE LA ENERGIA EXCESIVĂ CU MICROUNDRE

- (a) Nu încercați să folosiți acest cuptor cu ușa deschisă, deoarece aceasta poate duce la o expunere nocivă la energia cu microundre. Este important să nu rupeți sau să umblați la dispozitivele de blocare de securitate.
- (b) Nu așezați niciun obiect între partea frontală a cuptorului și ușă și nu lăsați reziduuri de la produse de curățare să se acumuleze pe suprafețele de etanșare.
- (c) AVERTISMENT: Dacă ușa sau sigiliile ușii sunt deteriorate, cuptorul nu trebuie utilizat înainte ca acestea să fie reparate de o persoană competentă.

### ANEXĂ

Dacă aparatul nu este menținut într-o bună stare de curățenie, suprafața sa s-ar putea degrada și afecta durata sa de viață, ducând la o situație periculoasă.

## SPECIFICAȚII

Model:	MWP-MM20P(BK) /MWP-MM20P(WH)
Tensiune nominală:	230V~50Hz
Consum de putere (microundre):	1050W
Putere nominală (microundre):	700W
Capacitatea cuptorului:	20L
Diametrul platoului rotativ:	Φ 255mm
Dimensiuni exterioare (W x D x H):	439,5x359x258,2mm
Greutate netă:	Aprox. 10,3 kg



# NSTRUCȚIUNI IMPORTANTE PRIVIND SIGURANȚA

## AVERTISMENT

Pentru a diminua riscul de incendiu, electrocutarea, rănirea persoanelor sau expunerea la o energie excesivă a cuptorului cu microunde atunci când utilizați aparatul, urmați precauțiile de bază, inclusiv următoarele:

1. Citiți și respectați în special: „PRECAUȚIILE PENTRU A EVITA POSIBILA EXPUNERE LA ENERGIA EXCESIVĂ CU MICROUNDRE”.
2. Acest aparat poate fi folosit de către copii și de persoane cu capacități fizice, senzoriale sau mentale reduse sau fără experiență și cunoștințe dacă acestea sunt supravegheate sau au primit instrucțiuni pentru utilizarea aparatului în siguranță și înțeleg pericolele implicate. Nu permiteți copiilor să se joace cu aparatul. Curățarea și operațiile de întreținere efectuate de utilizator vor fi realizate de copii numai dacă sunt supravegheați.
3. Aparatul și cablul de alimentare nu trebuie lăsat la îndemâna copiilor, decât dacă aceștia sunt supravegheați în permanență.
4. Dacă cablul de alimentare este deteriorat, acesta trebuie înlocuit de producător, de către un reprezentant de service al acestuia sau o persoană cu o calificare similară, pentru a se evita orice risc.
5. AVERTISMENT: Asigurați-vă că aparatul este oprit înainte de a înlocui becul, pentru a evita posibilitatea de electrocutare.
6. AVERTISMENT: Este periculos ca alte persoane decât persoanele competente să efectueze orice operațiune de service sau de reparații care implică îndepărtarea capacului, care oferă protecție împotriva expunerii la energia cu microunde.
7. AVERTISMENT: Lichidele și alte alimente nu trebuie încălzite în recipiente sigilate, deoarece există riscul de explozie.
8. Când încălziți alimente în recipiente din plastic sau hârtie, supravegheați cu atenție cuptorul, deoarece există posibilitatea de aprindere.
9. Utilizați numai ustensile potrivite pentru utilizarea în cuptoarele cu microunde.
10. Dacă emite fum, opriți sau deconectați aparatul și lăsați ușa închisă, pentru a stinge eventualele flăcări.
11. Încălzirea băuturilor la cuptorul cu microunde poate avea ca rezultat fierberea întârziată, cu erupție. De aceea, trebuie să fiți atenți când manevrați recipientul.
12. Conținutul biberoanelor și al borcănașelor de hrană pentru bebeluși trebuie amestecat sau agitat și trebuie verificată temperatura acestora înainte de consum, pentru a evita arsurile.
13. Ouăle crude sau fierte cu tot cu coajă nu trebuie încălzite în cuptorul cu microunde, deoarece pot exploda, chiar și după încheierea ciclului de încălzire la microunde.
14. Cuptorul trebuie curățat regulat și trebuie îndepărtate depunerile de alimente.
15. Necurățarea cuptorului poate duce la deteriorarea suprafeței, ceea ce poate să afecteze negativ durata de funcționare a aparatului și să determine apariția unor situații de risc.
16. Utilizați numai sonda de măsurare a temperaturii recomandată pentru acest cuptor (pentru cuptoarele prevăzute cu o sondă de măsurare a temperaturii).
17. Cuptorul cu microunde nu trebuie așezat într-un dulap decât dacă a fost testat într-un dulap.
18. Acest aparat este destinat să fie utilizat în gospodărie și aplicații similare precum:
  - zonele de bucătărie pentru personal din magazine, birouri și alte medii de lucru;
  - de către clienții din hoteluri, moteluri și alte medii de tip rezidențial;
  - ferme;
  - medii de tip cazare cu mic dejun.
19. Cuptorul cu microunde este destinat încălzirii alimentelor și băuturilor. Uscarea alimentelor sau a hainelor și încălzirea păturilor electrice, a papucilor, a bureților, a lavetelor umede și a unor materiale similare poate duce la vătămări corporale, aprindere sau incendiu.
20. Recipientele metalice pentru alimente și băuturi nu sunt permise în timpul gătirii la microunde.
21. Aparatul nu trebuie curățat cu un aparat de curățare cu abur.

- 22. Aparatul este destinat să fie utilizat fără suport.
- 23. Suprafața din spate a aparatelor trebuie așezată lângă un perete.
- 24. Aparatele nu sunt destinate a fi operate prin intermediul unui timer separat sau unui sistem de telecomandă.

CITIȚI CU ATENȚIE ȘI PĂSTRAȚI PENTRU CONSULTĂRI ULTERIOARE

## Instalație de împământare pentru a reduce riscul de vătămare a persoanelor

### PERICOL

Pericol de electrocutare

Atingerea unor componente interne poate cauza vătămări personale grave sau decesul. Nu dezasamblați acest aparat.

### AVERTISMENT

Pericol de electrocutare

Utilizarea neadecvată a împământării poate duce la electrocutare.

Nu introduceți aparatul în priză înainte ca acesta să fie instalat adecvat și împământat.

Acest aparat trebuie împământat. În cazul unui scurtcircuit, împământarea reduce riscul de electrocutare oferind o cale de scurgere pentru curentul electric.

Acest aparat este prevăzut cu un cablu cu un fir de împământare și o fișă de împământare. Conectorul trebuie introdus într-o priză care este adecvat instalată și împământată.

Consultați un electrician calificat sau un agent de service dacă instrucțiunile de împământare nu sunt complet înțelese sau dacă există dubii dacă aparatul este împământat adecvat.

Dacă trebuie utilizat un cablu de extensie, utilizați numai un cablu cu 3 fire.

1. Este prevăzut un cablu scurt de alimentare pentru a reduce riscul de împiedicare de un cablu lung.
2. Dacă se utilizează un set de cabluri lungi sau un cablu de extensie:
  - 1) Puterea electrică marcată pe setul de cabluri sau pe cablul de extensie ar trebui să fie cel puțin la fel de mare ca și puterea electrică a aparatului.
  - 2) Cablul de extensie trebuie să fie un cablu cu împământare cu 3 fire.
  - 3) Cablul lung ar trebui aranjat astfel încât să nu vină peste blatul de bucătărie, caz în care acesta poate fi tras de copii sau poate duce la împiedicări neintenționate.

## Curățare

Asigurați-vă că ați scos aparatul din priză.

1. După utilizare, curățați cavitatea cuptorului cu o cârpă ușor umedă.
2. Curățați accesoriile în mod obișnuit, cu apă cu săpun.
3. Când se murdăresc, cadrul și sigiliul ușii și părțile din apropiere trebuie curățate cu atenție cu o cârpă umedă.
4. Nu folosiți agenți de curățare abrazivi sau raclete metalice ascuțite pentru a curăța ușa de sticlă a cuptorului, deoarece acestea pot zgâria suprafața, cauzând spargerea sticlei.
5. Pont --- Pentru o curățare mai ușoară a pereților cavității de care se pot atinge alimentele: Puneți o jumătate de lămâie într-un bol, adăugați 300ml (12/ pintă) de apă și încălziți cuptorul cu microunde la 100% din putere, timp de 10 minute. Ștergeți cuptorul cu o cârpă moale și uscată.

## USTENSILE

### ATENȚIE

### Pericol de vătămare personală

Este periculos ca alte persoane decât persoanele competente să efectueze orice operațiune de service sau de reparații care implică îndepărtarea capacului, care oferă protecție împotriva expunerii la energia cu microunde.

Consultați instrucțiunile privind „Materialele care se pot utiliza în cuptorul cu microunde sau care trebuie evitate în cuptorul cu microunde”.

Pot exista anumite ustensile nemetalice care nu sunt sigure pentru a fi utilizate în cuptorul cu microunde. Dacă aveți dubii, puteți testa ustensila respectivă urmând procedura de mai jos.

Testarea ustensilei:

1. Umpleți un recipient care poate fi folosit în cuptorul cu microunde cu 1 cană de apă rece (250ml) împreună cu ustensila respectivă.
2. Gătiți la puterea maximă timp de 1 minut.
3. Analizați atent ustensila. Dacă ustensila goală este caldă, nu o folosiți pentru gătitul la microunde.
4. Nu depășiți timpul de gătit de 1 minut.

## Materiale pe care le puteți utiliza în cuptorul cu microunde

Ustensile	Remarci
Platouri pentru rumenit	Urmați instrucțiunile producătorului. Baza platoului pentru rumenit trebuie să fie la cel puțin 316/ inch (5mm) deasupra platoului rotativ. Utilizarea incorectă poate determina spargerea platoului rotativ.
Veselă	Numai care poate fi utilizată în microunde. Urmați instrucțiunile producătorului. Nu utilizați veselă crăpată sau spartă.
Borcane de sticlă	Scoateți întotdeauna capacul. Utilizați numai pentru a încălzi alimentele. Majoritatea borcanelor de sticlă nu sunt rezistente la căldură și se pot sparge.
Veselă din sticlă	Utilizați numai veselă din sticlă rezistentă la căldură. Asigurați-vă că aceasta nu are o margine metalică. Nu utilizați veselă crăpată sau spartă.
Pungi pentru gătit în cuptor	Urmați instrucțiunile producătorului. Nu închideți cu o legătură metalică. Faceți despicăături pentru a permite aburului să iasă.
Farfurii și pahare din hârtie	Utilizați numai pentru gătit/încălzire pe termen scurt. Nu lăsați cuptorul nesupravegheat în timpul gătitului.
Prosoape din hârtie	Utilizați pentru a acoperi alimentele pentru reîncălzire și absorbirea grăsimii. Utilizați numai pentru gătitul pe termen scurt, sub supraveghere.
Hârtie de copt	Utilizați pentru a acoperi alimentele, pentru a preveni stropirea sau pentru a le înfășura pentru gătitul în aburi.
Plastic	Numai care poate fi utilizat în microunde. Urmați instrucțiunile producătorului. Trebuie să specifice „microwave-safe” (sigur pentru microunde). Unele recipiente din plastic se înmoaie, deoarece alimentele din acestea se înfierbântă. „Pungile pentru gătit” și pungile strâns legate trebuie tăiate, perforate sau ventilate conform instrucțiunilor de pe ambalaj.
Folii de plastic	Numai care pot fi utilizate în microunde. Utilizați pentru a acoperi alimentele în timpul gătitului pentru a reține umiditatea. Nu permiteți ca folia de plastic să atingă alimentele.
Hârtie cerată	Utilizați pentru a acoperi alimentele, pentru a preveni stropirea și reține umiditatea.

## Materiale care trebuie evitate în cuptorul cu microunde

Ustensile	Remarci
Tăvițe de aluminiu	Pot cauza formarea de arcuri. Transferați alimentele într-un recipient sigur pentru microunde.
Cutii de carton pentru alimente cu mâner din metal	Pot cauza formarea de arcuri. Transferați alimentele într-un recipient sigur pentru microunde.
Ustensile din metal sau cu margine din metal	Metalul protejează alimentele de energia cu microunde. Marginea din metal poate cauza formarea de arcuri.
Legături din metal	Pot cauza formarea de arcuri și un incendiu în cuptor.
Pungi din hârtie	Pot cauza un incendiu în cuptor.
Spumă de plastic	Spuma de plastic se poate topi sau poate contamina lichidul când este expusă la temperaturi înalte.
Lemn	Lemnul se va usca când este utilizat în cuptorul cu microunde și se poate despică sau crăpa.

# SETARE ȘI INSTALARE

## SETAREA CUPTORULUI

Denumirile părților și accesoriilor

Scoateți cuptorul și toate materialele din cutia de carton și din cavitatea cuptorului.

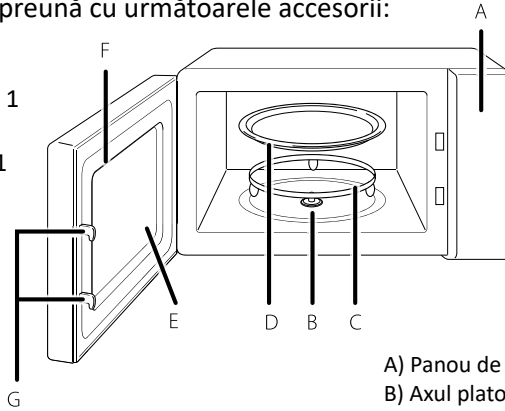
Cuptorul este livrat împreună cu următoarele accesorii:

Tăvița de sticlă 1

Ansamblul inelului rotativ 1

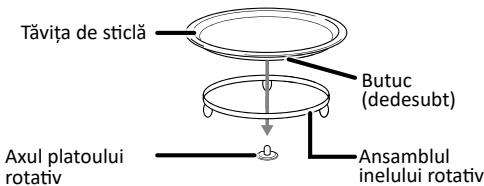
Axul platoului rotativ 1

Manualul de instrucțiuni 1



- A) Panou de control
- B) Axul platoului rotativ
- C) Ansamblul inelului rotativ
- D) Tăvița de sticlă
- E) Geamul de observare
- F) Ansamblul ușii
- G) Sistemul de blocare de siguranță

## Instalarea platoului rotativ



- a. Nu așezați niciodată tăvița de sticlă cu susul în jos. Urmați instrucțiunile pentru a așeza tăvița de sticlă pe inelul platoului rotativ în direcția corectă. Tăvița de sticlă ar trebui să se rotească ușor.
- b. În timpul gătitului, trebuie să se folosească atât tăvița de sticlă, cât și ansamblul inelului rotativ
- c. Toate alimentele și recipientele cu alimente trebuie așezate pe tăvița de sticlă pentru gătit.
- d. Dacă tăvița de sticlă sau ansamblul inelului rotativ se crapă sau se sparg, contactați cel mai apropiat centru de service autorizat.

## Instalarea pe blatul de bucătărie

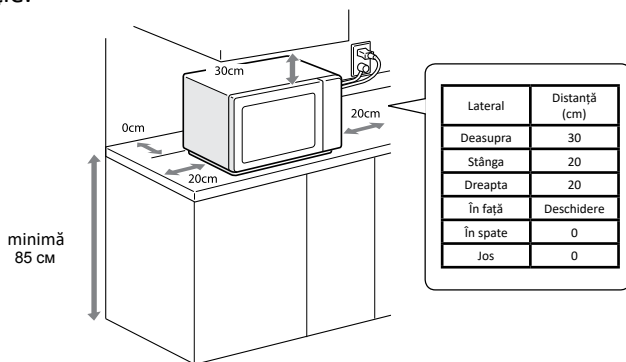
Îndepărtați toate materialele și accesoriile de ambalat. Verificați dacă cuptorul este deteriorat, de exemplu dacă are lovituri sau dacă ușa este stricată. Nu instalați cuptorul dacă este deteriorat.

Carcasă: Îndepărtați orice folie de protecție de pe suprafața carcasei cuptorului cu microunde.

Nu îndepărtați folia de mica, maro deschis, care este atașată de cavitatea cuptorului pentru a proteja magnetronul.

## Instalare

1. Selectați o suprafață plană care asigură destul spațiu pentru orificiile de ventilație.



(1) Înălțimea minimă de instalare este 85cm.

(2) Suprafața din spate a aparatului trebuie așezată lângă un perete.

Lăsați un spațiu minimum de 30cm deasupra cuptorului, iar între cuptor și pereții din apropiere este necesar un spațiu de minimum 20cm.

(3) Nu îndepărtați piciorușele din partea de jos a cuptorului.

(4) Blocarea orificiilor de intrare sau de ieșire poate deteriora cuptorul.

(5) Așezați cuptorul cât mai departe posibil de aparatele de radio și TV.

Funcționarea cuptorului cu microunde poate cauza interferențe cu recepția radio sau TV.

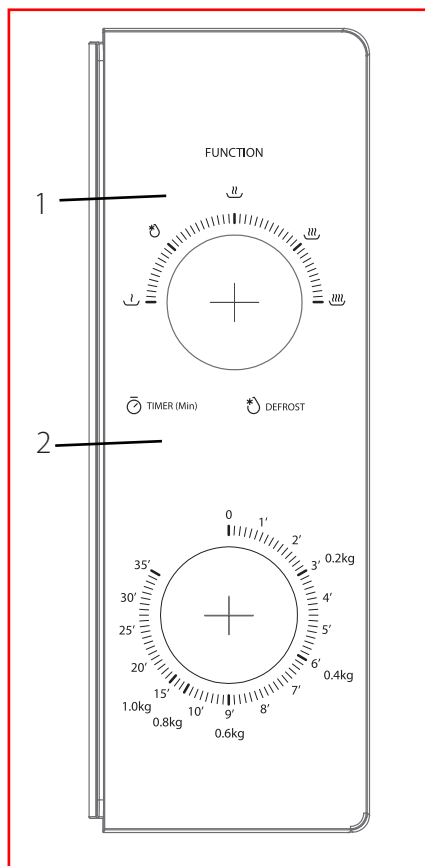
2. Cuplați cuptorul la o priză standard. Asigurați-vă că tensiunea și frecvența corespund cu tensiunea și frecvența de pe etichetă.

**AVERTISMENT:** Nu instalați cuptorul pe o plită sau pe un alt aparat care produce căldură. Dacă este instalat lângă o sursă de căldură, cuptorul se poate deteriora și garanția nu mai este valabilă.

Suprafața accesibilă poate fi fierbinte în timpul funcționării.



## FUNȚIONARE



1. Butonul de pornire (POWER)
2. Butonul de temporizare (TIMER)

- Pentru a seta puterea pentru gătit, rotind butonul de pornire (POWER) la nivelul dorit.
- Pentru a seta timpul pentru gătit, rotind butonul de temporizare (TIMER) la timpul dorit, conform ghidului dvs. pentru gătit.
- Cuptorul cu microunde va porni automat după ce ați setat nivelul de putere și timpul.
- După ce timpul pentru gătit s-a terminat, aparatul va emite un sunet pentru a se opri.
- Dacă aparatul nu este folosit, setați timpul întotdeauna la „0”.

Funcție/putere	Capacitate	Aplicație
Scăzută	17% micro.	Înmuierea înghețatei
Med. scăzută (decongelare)	33% micro.	Încălzirea supei, înmuierea untului sau decongelare
Med.	55% micro.	Tocană, pește
Med. ridicată	77% micro.	Orez, pește, pui, carne tocată
Ridicăță	100% micro.	Reîncălzire, lapte, fierberea apei, legume, băuturi

**Observație:** Atunci când scoateți alimentele din cuptor, asigurați-vă că cuptorul este oprit, rotind butonul de temporizare la 0 (zero). În caz contrar, dacă cuptorul cu microunde funcționează fără alimente înăuntru, acest lucru poate duce la supraîncălzire și la deteriorarea magnetronului.

## SOLUȚIONAREA PROBLEMELOR

Normal	
Cuptorul cu microunde interferează cu recepția TV	Recepția radio și TV poate să interfereze cu cuptorul cu microunde atunci când acesta este în funcțiune. Este similară cu interferența unui mic aparat electric, cum ar fi un mixer, un aspirator sau un ventilator electric.
Lumină slabă în cuptor	Atunci când cuptorul funcționează la o putere scăzută, lumina sa poate deveni slabă. Acest lucru este normal.
Se acumulează aburi pe ușa, iese aer fierbinte din orificiile de ventilație	În timpul gătitului, din alimente pot ieși aburi. Majoritatea vor ieși prin orificiile de ventilație. Însă unii aburi se pot acumula în locurile răcoroase, cum ar fi pe ușa cuptorului. Acest lucru este normal.
Cuptorul a pornit din greșeală, fără alimente înăuntru.	Este interzis să utilizați aparatul fără alimente înăuntru. Acest lucru este foarte periculos.

Problemă	Cauză posibilă	Remediu
Cuptorul nu pornește.	(1) Cablul de alimentare nu este bine pus în priză.	Scoateți-l din priză. Puneți-l înapoi în priză după 10 secunde.
	(2) Funcționarea siguranței sau a disjunctivului.	Înlocuiți siguranța sau resetați disjunctivul (reparat de profesioniștii firmei noastre)
	(3) Probleme cu priza.	Testați priza cu alte aparate electrice.
Cuptorul nu încălzește.	(4) Ușa nu este bine închisă.	Închideți bine ușa.



Conform directivei privind deșeurile de echipamente electrice și electronice (DEEE), DEEE trebuie colectate și tratate separat. Dacă vreodată în viitor va trebui să aruncați acest produs, vă rugăm să NU îl aruncați împreună cu deșeurile menajere. Vă rugăm să trimiteți acest produs la punctele de colectare a DEEE, acolo unde acestea sunt disponibile.



# TOSHIBA



## Мікрохвильова піч ІНСТРУКЦІЯ З ЕКСПЛУАТАЦІЇ

Модель:

**MWP-MM20P(BK)**  
**MWP-MM20P(WH)**

Прочитайте уважно ці інструкції перед тим, як користуватися мікрохвильовою піччю, та надійно збережіть їх.

Якщо ви будете дотримуватися інструкцій, ваша піч прослужить належним чином багато років.

**НАДІЙНО ЗБЕРЕЖІТЬ ЦЮ ІНСТРУКЦІЮ**

MWP-MM20P(BK)  
MWP-MM20P(WH)

## ЗМІСТ

ЗМІСТ .....	1
ЗАСТЕРЕЖЕННЯ .....	2
ТЕХНІЧНІ ХАРАКТЕРИСТИКИ .....	2
ВАЖЛИВІ ПРАВИЛА ТЕХНІКИ БЕЗПЕКИ .....	3-4
ОЧИЩЕННЯ .....	5
ПОСУД .....	5-6
НАСТРОЙКА І ВСТАНОВКА .....	7-8
ЕКСПЛУАТАЦІЯ .....	9
УСУНЕННЯ НЕСПРАВНОСТЕЙ .....	10

## ЗАСТЕРЕЖЕННЯ

### ЗАСТЕРЕЖЕННЯ ЩОДО УНИКНЕННЯ МОЖЛИВОГО ВПЛИВУ НАДМІРНОЇ МІКРОХВИЛЬОВОЇ ЕНЕРГІЇ

- (a) Не намагайтеся використовувати цю піч з відкритими дверцятами, оскільки це може призвести до шкідливого впливу мікрохвильової енергії. Важливо не порушувати і не втручатися в захисні блокування.
- (b) Не розміщуйте жодних предметів між передньою панеллю печі та дверцятами та уникайте утворення залишків очищувача на ущільнювачах.
- (c) УВАГА: Якщо дверцята або ущільнювач дверцят пошкоджено, забороняється використовувати піч, доки її не відремонтує компетентна особа.

### ДОПОВНЕННЯ

Якщо прилад не зберігається в чистоті, стан його поверхні може погіршитися і це вплине на термін експлуатації приладу та може призвести до небезпечної ситуації.

## ТЕХНІЧНІ ХАРАКТЕРИСТИКИ

Модель:	MWP-MM20P(ВК)/MWP-MM20P(WH)
Номинальна напруга:	230 В ~50 Гц
Споживання енергії (мікрохвильова піч):	1050 Вт
Номинальна вихідна потужність (мікрохвильова піч):	700 Вт
Місткість печі:	20 л
Діаметр поворотного диску:	Ф 255 мм
Зовнішні розміри (Ш x Г x В):	439,5x359x258,2 мм
Вага нетто:	Прибл. 10,3 кг

# ВАЖЛИВІ ПРАВИЛА ТЕХНІКИ БЕЗПЕКИ

## ЗАСТЕРЕЖЕННЯ

Щоб зменшити ризик пожежі, ураження електричним струмом, травмування людей або надмірної енергії мікрохвильової печі під час користування приладом, дотримуйтесь основних заходів безпеки, включаючи наступні:

1. Прочитайте та особливо дотримуйтесь: «ЗАСТЕРЕЖЕННЯ ЩОДО УНИКНЕННЯ МОЖЛИВОГО ВПЛИВУ НАДМІРНОЇ МІКРОХВИЛЬОВОЇ ЕНЕРГІЇ».
2. Цим приладом можуть користуватися діти та люди зі зниженими фізичними, сенсорними або розумовими можливостями або відсутністю досвіду та знань, якщо їм був забезпечений нагляд або вони отримали інструкцію щодо користування приладом безпечним способом та розуміють пов'язану з цим небезпеку. Слідкуйте, щоб діти не гралися приладом. Слідкуйте, щоб діти не чистили і не обслуговували прилад, це можливо тільки за умови нагляду.
3. Тримайте прилад та шнур від нього подалі від дітей, якщо вони не знаходяться під постійним наглядом.
4. Якщо кабель електроживлення пошкоджено, він має бути замінений виробником, його агентом з обслуговування або іншим кваліфікованим спеціалістом, щоб уникнути небезпеки ураження електричним струмом.
5. **ЗАСТЕРЕЖЕННЯ:** Переконайтесь, що прилад вимкнено перед заміною лампи, щоб уникнути можливості ураження електричним струмом.
6. **ЗАСТЕРЕЖЕННЯ:** Для будь-кого, крім компетентної особи, небезпечно виконувати будь-які операції з обслуговування або ремонту, що включає зняття кришки, яка забезпечує захист від впливу мікрохвильової енергії.
7. **ЗАСТЕРЕЖЕННЯ:** Не слід нагрівати рідину та інші продукти в закритих ємностях, оскільки вони можуть вибухнути.
8. Під час нагрівання їжі в пластикових або паперових ємностях слідкуйте за пічкою через можливість займання.
9. Використовуйте лише посуд, який підходить для використання в мікрохвильовій печі.
10. Якщо **пішов** дим, відключіть або від'єднайте прилад від живлення та не відкривайте дверці, щоб заглушити полум'я.
11. Мікрохвильовий нагрів напоїв може призвести до затримки кипіння та розбризкування, тому з таким контейнером потрібно бути обережним.
12. Вміст пляшок для годування та баночок для дитячого харчування слід розмішувати або струшувати, та перевіряти температуру перед споживанням, щоб уникнути опіків.
13. Не слід нагрівати в мікрохвильових печах яйця в **шкарлупі** та цілі яйця, зварені круто, оскільки вони можуть вибухнути навіть після закінчення нагрівання мікрохвильової печі.
14. Піч слід регулярно чистити та видаляти будь-які залишки їжі.
15. Якщо не підтримувати піч у чистому стані, це може призвести до пошкодження поверхні, що може негативно вплинути на термін служби приладу і, можливо, призвести до небезпечної ситуації.
16. Використовуйте лише термощуп, рекомендований для цієї печі. (для печей з обладнанням для користування термощупом).
17. Мікрохвильову піч не слід розмішувати в шафі, за винятком випадків, коли вона пройшла випробування на використання в шафі.
18. Цей прилад призначений для використання у побутових і подібних умовах, наприклад таких:
  - у кухонних зонах магазинів, офісів та інших робочих середовищ;
  - клієнтами в готелях, мотелях та житлових приміщеннях іншого типу;
  - у фермерських господарствах;
  - хостелах та подібних житлових приміщеннях;
19. Мікрохвильова піч призначена для нагрівання їжі та напоїв. Сушіння їжі або одягу та нагрівання утеплюючих прокладок, тапочок, губок, вологої тканини тощо можуть призвести до ризику травмування, займання або пожежі.
20. **Забороняється** використовувати металеві контейнери для їжі та напоїв під час приготування їжі в **мікрохвильовій** печі.
21. **Забороняється** чистити пристрій парочисником.

- 22. Прилад призначений для автономного використання.
- 23. Задня поверхня приладів повинна розташовуватися навпроти стіни.
- 24. Прилади не призначені для експлуатації за допомогою зовнішнього таймера або окремої системи дистанційного керування.

УВАЖНО ПРОЧИТАЙТЕ ТА ЗБЕРЕЖІТЬ ДЛЯ ПОДАЛЬШОГО ВИКОРИСТАННЯ

## **Для зменшення ризику травмування людей, що встановлюють заземлення**

### **НЕБЕЗПЕКА**

Небезпека ураження електричним струмом  
Торкання деяких внутрішніх компонентів може спричинити серйозні травми або смерть. Не розбирайте цей прилад.

### **ЗАСТЕРЕЖЕННЯ**

Небезпека ураження електричним струмом  
Неправильне використання заземлення може призвести до ураження електричним струмом.  
Не вмикайте в розетку, поки прилад не буде правильно встановлений і заземлений.

Цей прилад повинен бути заземленим. У разі електричного короткого замикання заземлення зменшує ризик ураження електричним струмом, забезпечуючи провід для відведення електричного струму.  
Цей прилад обладнаний шнуром із заземлюючим проводом і заземлюючою вилкою. Вилку слід підключити до належно встановленої та заземленої розетки.

Зверніться до кваліфікованого електрика або спеціаліста з обслуговування, якщо інструкції щодо заземлення не повністю зрозумілі або якщо існують сумніви щодо правильності заземлення приладу.  
Якщо необхідно використовувати подовжувач, використовуйте лише трижильний подовжувач.

1. Короткий шнур живлення передбачений для зменшення ризиків, пов'язаних із заплутуванням або зачепленням через довгий шнур.
2. Якщо використовується довгий шнур або подовжувач:
  - 1) Номінальна електрична потужність комплекту шнура або подовжувача повинна бути як мінімум такою же, як і електрична потужність приладу.
  - 2) Подовжувальний шнур повинен бути 3-провідним шнуром із заземленням.
  - 3) Довгий шнур повинен бути розташований так, щоб він не звисав з верхньої кришки або стільниці, звідки його можуть випадково потягнути діти або випадково спіткнутись.

## Очищення

Обов'язково відключіть прилад від мережі живлення.

1. Очистіть піч всередині після використання злегка вологою ганчіркою.
2. Очистіть аксесуари звичайним способом у мильній воді.
3. Каркас дверцят, ущільнювач та сусідні частини у разі забруднення повинні бути ретельно очищені вологою ганчіркою.
4. Не використовуйте для чищення скла дверцят печі жорсткі абразивні чистячі засоби або гострі металеві щітки, оскільки вони можуть подряпати поверхню, а це може призвести до розбиття скла.
5. Порада для очищення --- для легшого очищення внутрішніх стінок печі, до яких може торкатися приготувана їжа:  
Помістіть половину лимона в миску, додайте 300 мл (12/ пінти) води і нагрівайте на 100% потужності мікрохвильової печі протягом 10 хвилин. Протріть духовку чистою м'якою сухою ганчіркою.

## ПОСУД

### ОБЕРЕЖНО

### Небезпека особистих травм

Для будь-кого, крім компетентної особи, небезпечно виконувати будь-які операції з обслуговування або ремонту, що включає зняття кришки, яка забезпечує захист від впливу мікрохвильової енергії.

Дивіться розділ інструкції «Матеріали, які можна використовувати в мікрохвильовій печі або використання яких слід уникати».

Використання деяких неметалевих приналежностей може бути небезпечним для мікрохвильової печі. У разі сумніву можна перевірити посуд, дотримуючись наведеної нижче процедури.

Перевірка посуду:

1. Наповніть ємність для мікрохвильової печі 1 склянкою холодної води (250мл) та поставте її поруч з відповідним посудом.
2. Готуйте на максимальній потужності 1 хвилину.
3. Обережно торкніться посуду. Якщо порожній посуд теплий, не використовуйте його для готування в мікрохвильовій печі.
4. Не перевищуйте 1 хвилину часу приготування.

## Матеріали, які можна використовувати в мікрохвильовій печі

Посуд	Зауваження
Блюда для запікання	Дотримуйтеся інструкцій виробника. Дно блюда для запікання повинно бути не менше 316/ дюйма (5 мм) над поворотним диском. Неправильне використання може призвести до поломки поворотного диску.
Столовий посуд	Тільки для мікрохвильових печей. Дотримуйтеся інструкцій виробника. Не використовуйте посуд з тріщинами або сколами.
Скляні банки	Завжди знімайте кришку. Використовуйте лише для нагрівання їжі, поки вона не стане теплою. Більшість скляних банок не жароміцні і можуть тріснути.
Скляний посуд	Тільки термостійкий посуд для печі. Переконайтесь, що посуд немає металевої обробки. Не використовуйте посуд з тріщинами або сколами.
Мішки для приготування в печі	Дотримуйтеся інструкцій виробника. Не закривайте металевою стяжкою. Зробіть прорізи для виходу пару.
Паперові тарілки та чашки	Використовуйте лише для короткочасного приготування, розігрівання. Не залишайте під час готування.
Паперові рушники	Використовуйте для накриття їжі в разі повторного нагрівання та поглинання жиру. Використовуйте під наглядом лише для короткочасного приготування.
Пергамент	Використовуйте в якості чохла для запобігання бризок або обгортання для пропарювання.
Пластик	Тільки для мікрохвильових печей. Дотримуйтеся інструкцій виробника. Потрібно мати позначку «Призначений для мікрохвильових печей» (Microwave Safe). Деякі пластикові контейнери розм'якшуються, оскільки їжа всередині нагрівається. «Мішки для кипіння» і щільно закриті пластикові пакети слід розрізати, прокалювати або вентилювати відповідно до вказівок на упаковці.
Пластикова упаковка	Тільки для мікрохвильових печей. Використовуйте для накриття їжі під час готування для збереження вологи. Пластикова упаковка не повинна торкатися їжі.
Восковий папір	Використовуйте в якості чохла для запобігання бризок та для збереження вологи.

## Матеріали, використання яких в мікрохвильовій печі слід уникати

Посуд	Зауваження
Алюмінієвий лоток	Може викликати іскріння. Перекладіть їжу в безпечний для мікрохвильової печі посуд.
Харчова коробка з металевою ручкою	Може викликати іскріння. Перекладіть їжу в безпечний для мікрохвильової печі посуд.
Металевий посуд або посуд з металевою обробкою	Метал захищає їжу від мікрохвильової енергії. Металева обробка може спричинити іскріння.
Металеві закрутки	Може спричинити іскріння та може призвести до пожежі в печі.
Паперові пакети	Можуть призвести до пожежі в печі.
Пінопласт	Пінопласт може розплавитися або забруднити рідину всередині під впливом високої температури.
Деревина	Дерево висохне при використанні в мікрохвильовій печі і може розколотися або потріскатися.



# НАСТРОЙКА І ВСТАНОВКА

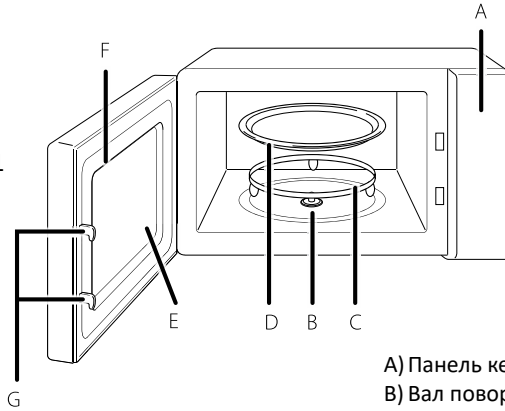
## ВСТАНОВЛЕННЯ ВАШОЇ ПЕЧІ

Назви деталей та аксесуарів печі

Вийміть піч та всі матеріали з коробки та зсередини печі.

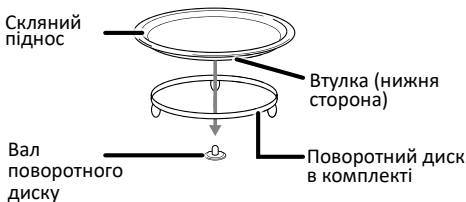
Ваша піч постачається з такими аксесуарами:

Скляний піднос 1  
Поворотний диск в комплекті 1  
Вал поворотного диску 1  
Інструкції з експлуатації



- A) Панель керування
- B) Вал поворотного диску
- C) Поворотний диск в комплекті
- D) Скляний піднос
- E) Вікно спостереження
- F) Дверцята в комплекті
- G) Система безпеки/блокування

## Установка поворотного диску



- a. Ніколи не ставте скляний піднос догори дном. Дотримуйтесь інструкцій, щоб розмістити скляний піднос на поворотному диску в правильному напрямку. Скляний піднос повинен плавно крутитися.
- B. Завжди слід використовувати як скляний піднос, так і поворотний диск під час готування.
- C. Вся їжа та ємності з їжею завжди розміщуються на скляному підносі для готування.
- D. Якщо скляний піднос або колесо поворотного диску тріснуть або зламаються, зверніться до найближчого авторизованого сервісного центру.

## Установка стільниці

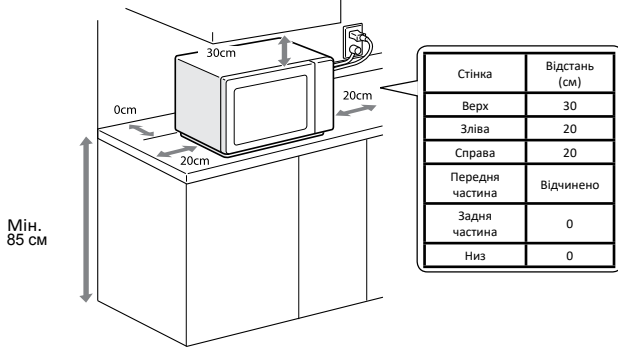
Видаліть усі пакувальні матеріали та аксесуари. Огляньте піч на наявність пошкоджень, таких як вм'ятини або зламані дверцята. Не встановлюйте при пошкодженні.

Корпус: Видаліть будь-яку захисну плівку, що знаходиться на поверхні шафи мікрохвильової печі.

Не знімайте світло-коричневу кришку слюди, яка кріпиться до корпусу печі для захисту магнетрону.

## Встановлення

1. Виберіть рівну поверхню, яка забезпечує достатньо відкритого простору для впускних і/або вихідних отворів.



- (1) Мінімальна висота установки - 85 см.
- (2) Задня поверхня приладів повинна розташовуватися навпроти стіни. Залиште мінімальний зазор 30 см над піччю та мінімальний зазор 20 см між піччю та будь-якими сусідніми стінками.
- (3) Не знімайте ніжки з нижньої частини печі.
- (4) Блокування впускних і/або вихідних отворів може пошкодити піч.
- (5) Встановіть піч якомога далі від радіо та телевізора. Експлуатація мікрохвильової печі може спричинити перешкоди для прийому радіо чи телевізора.

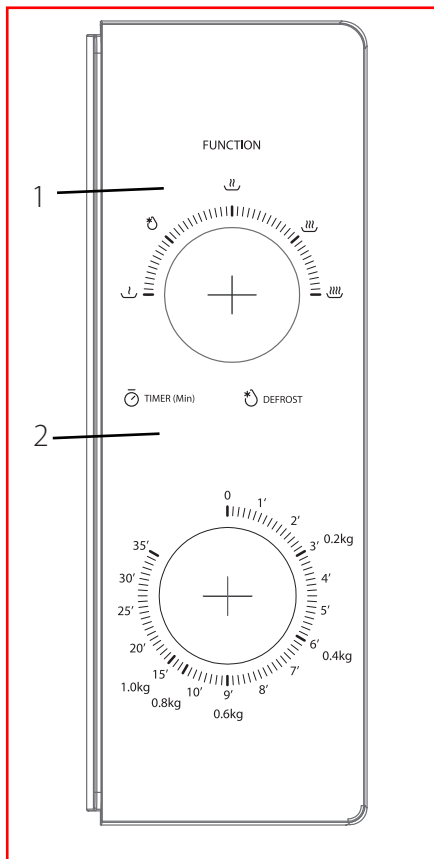
2. Підключіть піч до звичайної побутової розетки. Переконайтесь, що напруга та частота збігаються з напругою та частотою на етикетці.

**ЗАСТЕРЕЖЕННЯ:** Не встановлюйте піч над плитою чи іншими приладами, що виробляють тепло. У разі розташування поблизу джерела тепла або над ним піч може бути пошкоджена, а гарантія буде недійсною.

Під час роботи доступна поверхня може бути гарячою.



## ЕКСПЛУАТАЦІЯ



1. Ручка POWER
2. Ручка TIMER

- Для встановлення потужності приготування поверніть регулятор POWER на потрібний рівень.
- Для встановлення часу приготування поверніть регулятор TIMER до відмітки потрібного часу відповідно до інструкції з приготування їжі.
- Мікрохвильова піч автоматично почне готувати після встановлення рівня потужності та часу.
- Після того, як час приготування мине, прилад зупиниться із звуковим сигналом.
- Якщо пристрій не використовується, завжди встановлюйте час на «0».

Функція/ Потужність	Продуктивність	Застосування
1 Низька	17% мікро.	Пом'якшення морозива
2 Серед. Низька (Розморожування)	33% мікро.	Суп, рагу, Розм'якшування вершкового масла або Розморожування
3 Серед.	55% мікро.	Тушкування, Риба
4 Серед. Висока	77% мікро.	Рис, Риба, Курка, М'ясо
5 Висока	100% мікро.	Розігрівання, Молоко, Кип'ячена вода, Овочі, Напої

Увага: Виймаючи їжу з печі, переконайтесь, що живлення духовки вимкнено, повернувши перемикач таймера на 0 (нуль). Якщо цього не зробити та використовувати мікрохвильову піч без їжі, це може призвести до перегріву та пошкодження магнетрона

## УСУНЕННЯ НЕСПРАВНОСТЕЙ

Нормальний	
Мікрохвильова піч заважає приймати телевізійний сигнал	Приймання радіо та телебачення може перешкоджати роботі мікрохвильової печі. Це схоже на перешкоди невеликого електричного приладу, як змішувач.
Тьмяне світло печі	У режимі мікрохвильової печі з низькою потужністю світло печі може затьмаритися. Це нормально.
Пар накопичується на дверцятах, гаряче повітря з отворів	При приготуванні їжі може виходити пар з їжі. Більшість вийде з вентиляційних отворів. Але деякі можуть накопичуватися в прохолодному місці, наприклад, на дверцятах печі. Це нормально.
Випадково вклучили піч без їжі.	Забороняється експлуатувати пристрій без їжі всередині. Це дуже небезпечно.

Проблема	Можлива причина	Засіб усунення
Піч не вклучається.	(1) Шнур живлення не підключений щільно.	Від'єднайте вилку. Потім знову під'єднайте через 10 секунд.
	(2) Працює запобіжник або вимикач запобіжника.	Замінити запобіжник або скинути автоматичний вимикач (відремонтований кваліфікованим персоналом нашої компанії)
	(3) Проблеми з розеткою.	Перевірте розетку з іншими електричними приладами.
Піч не нагріває.	(4) Дверцята не зачиняються належним чином.	Закрийте дверцята належним чином.



Відповідно до директиви відходів електричного та електронного обладнання (WEEE), відходи електричного та електронного обладнання слід збирати та обробляти окремо. Якщо в будь-який час у майбутньому вам потрібно буде утилізувати цей продукт, будь ласка, НЕ утилізуйте цей товар з побутовими відходами. Будь ласка, надішліть цей продукт на пункти збору відходів електричного та електронного обладнання, якщо такі є.

# TOSHIBA



Микроволновая печь  
**РУКОВОДСТВО ПО ЭКСПЛУАТАЦИИ**

Модель:

**MWP-MM20P(BK)**  
**MWP-MM20P(WH)**

Русский

Внимательно прочитайте эти инструкции перед началом эксплуатации микроволновой печи и сохраните их для дальнейшего использования.

При соблюдении инструкции ваша печь будет хорошо служить вам много лет.

**СОХРАНИТЕ ЭТИ ИНСТРУКЦИИ**

MWP-MM20P(BK)  
MWP-MM20P(WH)

## СОДЕРЖАНИЕ

СОДЕРЖАНИЕ.....	1
МЕРЫ ПРЕДОСТОРОЖНОСТИ.....	2
ТЕХНИЧЕСКИЕ ХАРАКТЕРИСТИКИ.....	2
ВАЖНЫЕ ИНСТРУКЦИИ ПО БЕЗОПАСНОСТИ.....	3-4
ОЧИСТКА.....	5
ПОСУДА.....	5-6
УСТАНОВКА.....	7-8
ПАНЕЛЬ УПРАВЛЕНИЯ .....	9
ЭКСПЛУАТАЦИЯ .....	10
УСТРАНЕНИЕ НЕИСПРАВНОСТЕЙ.....	11

## МЕРЫ ПРЕДОСТОРОЖНОСТИ

### МЕРЫ ПРЕДОСТОРОЖНОСТИ ВО ИЗБЕЖАНИЕ КОНТАКТА С ИЗЛИШНИМ КОЛИЧЕСТВОМ МИКРОВОЛНОВОЙ ЭНЕРГИИ

- (a) Не пытайтесь использовать микроволновую печь с открытой дверью, так как это может привести к вредному воздействию микроволновой энергии. Не ломайте и не нарушайте целостность защитной блокировки.
- (b) Не помещайте никакие предметы между передней панелью и дверью печи и не давайте осадку от чистящих средств накапливаться на герметизирующих поверхностях.
- (c) **ВНИМАНИЕ:** если дверь или ее уплотнение повреждены, не пользуйтесь печью до тех пор, пока ее не отремонтирует квалифицированный работник.

### ДОПОЛНЕНИЕ

Если не поддерживать достаточную чистоту устройства, его поверхность может испортиться, что может повлиять на срок службы устройства и даже вызвать опасную ситуацию.

## ТЕХНИЧЕСКИЕ ХАРАКТЕРИСТИКИ

Модель:	MWP-MM20P(BK)/MWP-MM20P(WH)
Номинальное напряжение:	230 В, 50 Гц
Потребляемая мощность (микроволны):	1050 Вт
Номинальная выходная мощность (микроволны):	700 Вт
Емкость печи:	20 л
Диаметр поворотной платформы:	Ф 255 мм
Внешние габариты (Ширина x Длина x Высота):	439,5x359x258,2 мм
Чистый вес:	Около 10,3 кг



# ВАЖНЫЕ ИНСТРУКЦИИ ПО БЕЗОПАСНОСТИ

## ВНИМАНИЕ

Для снижения риска пожара, поражения электрическим током, травм или излишнего воздействия энергии микроволновой печи при использовании вашего устройства соблюдайте базовые меры безопасности, включая следующие:

1. Прочитайте и подробно следуйте: «МЕРАМ ПРЕДОСТОРОЖНОСТИ ВО ИЗБЕЖАНИЕ ВОЗДЕЙСТВИЯ ИЗЛИШНЕГО КОЛИЧЕСТВА МИКРОВОЛНОВОЙ ЭНЕРГИИ».
2. Устройство может использоваться детьми и людьми с ограниченными физическими, сенсорными или умственными возможностями или недостатком опыта и знаний под надзором и после инструктажа о безопасных способах использования устройства и при условии понимания вовлеченных рисков. Дети не должны играть с устройством. Чистка и пользовательское обслуживание не должно производиться детьми без присмотра.
3. Храните устройство и кабель от него в недоступном для детей месте, если дети не находятся под постоянным присмотром.
4. Если кабель питания поврежден, его заменой должен заниматься производитель, его сервисный представитель, или должным образом квалифицированный персонал во избежание опасных ситуаций.
5. **ВНИМАНИЕ:** во избежание поражения электрическим током перед тем, как заменить лампу, убедитесь, что устройство выключено.
6. **ВНИМАНИЕ:** Любое обслуживание или ремонт, требующий демонтажа крышки, которая защищает от воздействия микроволновой энергии, представляет опасность для неквалифицированных лиц.
7. **ВНИМАНИЕ:** Жидкости и другая пища не должна нагреваться в герметичных контейнерах, так как они могут взорваться.
8. При нагреве пищи в пластиковых или бумажных контейнерах, следите за печью, так как может произойти возгорание.
9. Используйте только посуду, предназначенную для использования в микроволновых печах.
10. Если идет дым, выключите или отключите устройство от сети и держите дверь закрытой, чтобы затухить огонь.
11. Подогрев напитков в микроволновой печи может вызвать взрывное кипение с запозданием, поэтому обращаться с контейнером нужно осторожно.
12. Содержание бутылок для кормления и банок с детским питанием необходимо помешать или взболтать, а также проверить температуру перед употреблением во избежание ожогов.
13. Не нагревайте в микроволновой печи яйца в скорлупе или целый яйца, сваренные вкрутую, так как они могут взорваться даже после окончания подогрева в микроволновой печи.
14. Регулярно очищайте печь и удаляйте любые остатки еды.
15. Если печь не поддерживается в чистоте, это может испортить ее поверхность, что может негативно сказаться службы устройства и даже вызвать опасные ситуации.
16. Используйте только те температурные датчики, которые рекомендованы для данной печи (для печей с возможностью использовать температурный датчик).
17. Не помещайте микроволновую печь в шкаф, если она не была протестирована в шкафу.
18. Устройство предназначено для бытового или аналогичного бытовому использованию:
  - кухонные зоны для персонала в магазинах, офисах и других рабочих помещениях; клиентами в отелях, мотелях и других жилых помещениях;
  - фермы;
  - заведения типа «постель и завтрак».
19. Микроволновая печь предназначена для подогрева еды и напитков. Сушка еды или одежды, а также нагрев грелок, тапочек, губок, влажных тряпок и других предметов может привести к травмам, возгоранию или пожару.
20. Не разрешается использовать в микроволновой печи металлические контейнеры для еды и напитков.
21. Не разрешается очищать устройство с помощью парового очистителя.

22. Устройство должно стоять отдельно от других предметов.
23. Задняя поверхность устройства должна быть обращена к стене.
24. Устройство не предназначено для работы под управлением внешнего таймера или отдельной системы дистанционного управления.
25. Во время работы устройства температура доступных поверхностей может быть высокой.
26. **ВНИМАНИЕ:** когда устройство работает в комбинированном режиме, дети могут пользоваться им только под присмотром взрослых ввиду высокой температуры.

**ВНИМАТЕЛЬНО ПРОЧИТАЙТЕ И СОХРАНИТЕ ДЛЯ ДАЛЬНЕЙШЕГО ИСПОЛЬЗОВАНИЯ**

## **Для снижения риска травм лиц, осуществляющих установку заземления**

### **ОПАСНОСТЬ**

#### **Опасность поражения током**

Касание некоторых внутренних деталей может привести к серьезным травмам или смерти. Не разбирайте устройство.

### **ВНИМАНИЕ**

#### **Опасность поражения током**

Ненадлежащее заземление может привести к поражению электрическим током.

Подключайте к розетке только после того, как устройство будет должным образом установлено и заземлено.

Устройство должно быть заземлено. В случае короткого замыкания заземление снижает риск поражения электрическим током, обеспечивая провод для ухода тока.

Устройство оснащено кабелем с заземляющим проводом и заземляющим штепселем. Подключайте его к розеткам, которые должным образом установлены и заземлены.

Если вы не полностью поняли инструкции по заземлению или сомневаетесь, заземлено ли устройство надлежащим образом, обратитесь к квалифицированному электрику или мастеру. Если требуется удлинитель, используйте только удлинитель с 3-мя проводами.

1. В набор входит короткий кабель питания (или отсоединяемый кабель питания), так как длинный кабель может запутаться или об него можно споткнуться.
2. При использовании набора с длинным кабелем или удлинителя:
  - 1) Указанные электрические параметры набора кабеля или удлинителя должны быть ниже электрических параметров устройства.
  - 2) В качестве удлинителя должен использоваться заземленный 3-проводной кабель.
  - 3) Длинный кабель должен быть протянут таким образом, чтобы он не свисал со столешницы или стола, где за него могут потянуть дети или об него можно случайно споткнуться.

## ОЧИСТКА

Обязательно отключите устройство от источника питания.

1. После использования протрите внутреннюю часть печи слегка влажной тряпкой.
2. Очистите комплектующие обычным образом, в мыльной воде.
3. Рама дверцы, уплотнение и прилегающий к ним части необходимо тщательно очищать влажной тряпкой, когда они загрязняются.
4. Не используйте агрессивные абразивные чистящие средства или острые металлические скребки для очистки стекла на дверце печи, так как они могут поцарапать поверхность и привести к разбитому стеклу.
5. Совет, чтобы облегчить очистку внутренних стенок печи, которых может касаться еда в процессе приготовления: Смешайте в миске пол-лимона, добавьте 300 мл (1/2 пинты) воды и нагревайте ее в микроволновой печи на 100% мощности 10 минут. Вытрите печь мягкой сухой тряпкой.

## ПОСУДА

### ОСТОРОЖНО

#### Опасность травм

Любое обслуживание или ремонт, требующий демонтажа крышки, которая защищает от воздействия микроволновой энергии, представляет опасность для неквалифицированных лиц.

См. раздел «Материалы, которые могут использоваться в микроволновой печи, и которых необходимо избегать». Существует неметаллическая посуда, которую небезопасно использовать в микроволновой печи. Если вы не уверены, вы можете проверить такую посуду, следуя следующей процедуре.

Проверка посуды:

1. Налейте в пригодный для использования в микроволновке контейнер 1 стакан холодной воды (250 мл) и положите в него посуду, которую нужно проверить.
2. Нагревайте на максимальной мощности 1 минуту.
3. Осторожно потрогайте посуду. Если она теплая, не используйте ее в микроволновке.
4. Не нагревайте более 1 минуты.

## Материалы, которые могут использоваться в микроволновой печи

Посуда	Примечания
Блюдо для поджаривания	Следуйте инструкциям производителя. Дно блюда для поджаривания должно находиться на расстоянии по крайней мере 3/16 дюймов (5 мм) над поворотной платформой. Неправильное использование может привести к поломке поворотной платформы.
Столовые приборы	Только те, которые предназначены для микроволновой печи. Следуйте инструкциям производителя. Не используйте потрескавшуюся посуду или посуду с отколотыми частями.
Стекланные банки	Всегда снимайте крышку. Используйте только для нагрева до слегка теплого состояния. Большинство стеклянных банок не выдерживает высоких температур и может разбиться.
Стекланная посуда.	Только стойкая к высок// им температурам и предназначенная для микроволновых печей. Убедитесь, что у посуды нет металлического ободка. Не используйте потрескавшуюся посуду или посуду с отколотыми частями.
Мешки для приготовления в духовке.	Следуйте инструкциям производителя. Не используйте мешки с металлическими элементами. Сделайте в них отверстия для выхода пара.
Бумажные тарелки и стаканчики	Используйте только для кратковременного приготовления/нагрева. Не оставляйте печь без присмотра во время работы.
Бумажные полотенца	Накрывайте ими пищу для разогрева и впитывания жира. Используйте только под присмотром и для кратковременного приготовления.
Пергаментная бумага	Используйте сверху во избежание разбрызгивания или заворачивайте в нее пищу для приготовления на пару.
Пластик	Только тот, который предназначен для микроволновой печи. Следуйте инструкциям производителя. На нем должна быть маркировка «Подходит для использования в микроволновой печи». Некоторые пластиковые контейнеры размягчаются, когда еда в них нагревается. Пакеты для варки или герметичные пластиковые пакеты необходимо разрезать, проткнуть или сделать в них отверстия, как указано на упаковке.
Пластиковая пленка	Только та, которая предназначена для микроволновой печи. Накрывайте ей еду для сохранения влаги во время приготовления. Не допускайте контакта пластиковой пленки с едой.
Вощеная бумага	Накрывайте ей еду во избежание разбрызгивания и для сохранения влаги.

## Материалы, которых необходимо избегать в микроволновой печи

Посуда	Примечания
Алюминиевые подносы	Могут привести к образованию электрической дуги. Переложите еду в пригодный для использования в микроволновой печи контейнер.
Картонные упаковки для еды с металлической ручкой	Могут привести к образованию электрической дуги. Переложите еду в пригодный для использования в микроволновой печи контейнер.
Металлическая посуда или посуда с металлическим ободком	Металл закрывает еду от микроволнового излучения. Металлические ободки могут привести к образованию электрической дуги.
Скрученные металлические фиксаторы	Могут привести к образованию электрической дуги, а также пламени в печи.
Бумажные пакеты	Могут привести к образованию пламени в печи.
Пенопласт	При высоких температурах пенопласт может расплавиться или загрязнить жидкость, которая в нем находится.
Дерево	При использовании в микроволновой печи дерево высыхает и может распадаться или трескаться.

# УСТАНОВКА

## УСТАНОВКА МИКРОВОЛНОВОЙ ПЕЧИ

Название деталей и комплектующих печи

Вытащите печь и все материалы из картонной упаковки и внутренней части печи.

В комплект поставки входит следующее:

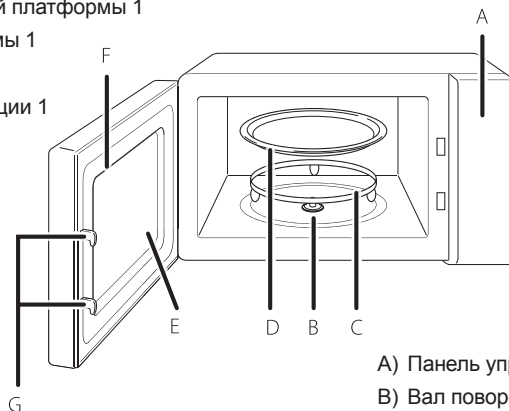
Стеклоподдон - 1

Сборка кольца поворотной платформы 1

Вал поворотной платформы 1

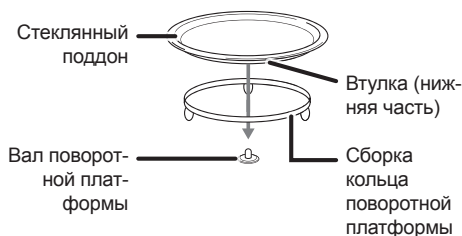
Решетка гриля 1

Руководство по эксплуатации 1



- A) Панель управления
- B) Вал поворотной платформы
- C) Сборка кольца поворотной платформы
- D) Стеклоподдон
- E) Смотровое окошко
- F) Сборка дверцы
- G) Система защитной блокировки

## Установка поворотной платформы



- a. Ни в коем случае не располагайте стеклянный поддон вверх ногами. Следуйте инструкциям, чтобы расположить стеклянный поддон на кольце поворотной платформы в правильном направлении. Стеклоподдон должен свободно вращаться.
- b. И стеклянный поддон, и сборка колеса поворотной платформы должны обязательно использоваться во время работы печи.
- c. Любая еда и контейнеры с едой должны всегда помещаться на стеклянный поддон для приготовления.
- d. В случае трещины или поломки стеклянного поддона или сборки кольца поворотной платформы обратитесь в ближайший официальный сервисный центр.

## Установка на столешницу

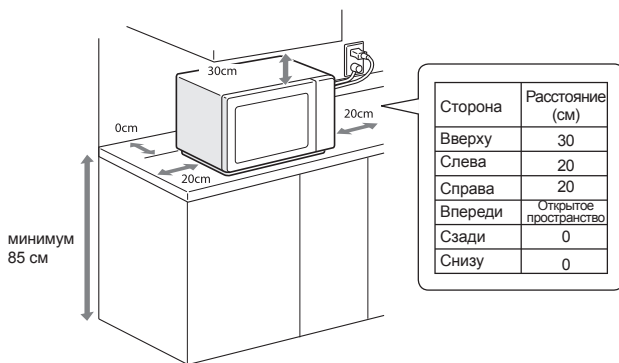
Удалите всю упаковку и комплектующие. Осмотрите печь на предмет повреждений, в частности зазубрин или поломок дверцы. Откажитесь от установки в случае обнаружения повреждений.

Корпус: удалите всю защитную пленку из внутренней части корпуса микроволновой печи.

Не снимайте светло-коричневое покрытие Маса, которое находится на внутренней стенке печи и предназначено для защиты магнетрона.

### Установка

1. Выберите ровную поверхность с достаточным свободным местом для входных и/или выходных отверстий.



- 1) Минимальная высота установки составляет 85 см.
  - 2) Задняя поверхность устройства должна быть обращена к стене. Над печью должно быть по крайней мере 30 см открытого пространства, а между боковыми стенками печи и прилегающими стенами - по крайней мере 20 см.
  - 3) Не снимайте ножки со дна печи.
  - 4) Блокировка входных и/или выходных отверстий может повредить печь.
  - 5) Располагайте микроволновую печь как можно дальше от радио и телевизора. Во время работы микроволновая печь может вызвать помехи приема сигнала радио или телевидения.
2. Подключите печь к стандартной бытовой розетке. Убедитесь, что напряжение и частота соответствуют напряжению и частоте на паспортной табличке.

**ВНИМАНИЕ:** не устанавливайте печь над варочной поверхностью плиты или другими приборами, которые выделяют тепло.

При установке вблизи источника тепла печь может быть повреждена, а гарантия аннулирована.

Во время работы доступные поверхности могут быть горячими.



# ПАНЕЛЬ УПРАВЛЕНИЯ

## ПАНЕЛЬ УПРАВЛЕНИЯ

Внешний вид панели управления и назначение органов управления показаны на рисунке 2.

Окончание приготовления сопровождается звуковым сигналом.

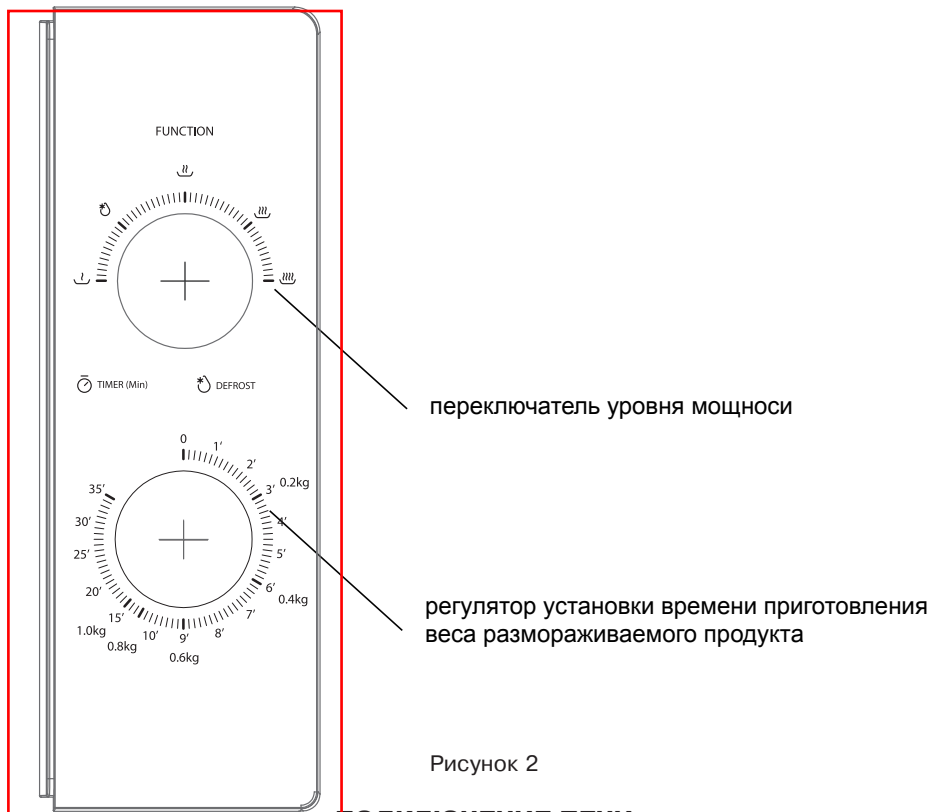


Рисунок 2

## ПОДКЛЮЧЕНИЕ ПЕЧИ

**ВНИМАНИЕ: ДЛЯ ПОДКЛЮЧЕНИЯ ПЕЧИ К СЕТИ ДОЛЖНА БЫТЬ ПРЕДУСМОТРЕНА РОЗЕТКА С ЗАЗЕМЛЯЮЩИМ КОНТАКТОМ!**

Извлеките и удалите полиэтиленовую пленку с корпуса печи если она наклеена и находящуюся пленку между дверцей и камерой микроволновой печи.

Откройте дверцу печи, нажав на кнопку открывания дверцы. Установите внутрь камеры печи кольцо роликовое. Сверху кольца роликового установите стеклянное блюдо, совместив выступы стеклянного блюда и муфты вала мотора (согласно рисунку 1). Закройте дверцу печи.

**ВНИМАНИЕ: РОЗЕТКА ДОЛЖНА НАХОДИТЬСЯ В НЕПОСРЕДСТВЕННОЙ БЛИЗОСТИ ОТ ПЕЧИ, К НЕЙ ДОЛЖЕН БЫТЬ ОБЕСПЕЧЕН СВОБОДНЫЙ ДОСТУП, ЧТОБЫ В СЛУЧАЕ НЕОБХОДИМОСТИ МОЖНО БЫЛО НЕМЕДЛЕННО ОТКЛЮЧИТЬ ПЕЧЬ ОТ СЕТИ!**

## РЕЖИМ «ПРИГОТОВЛЕНИЕ ПИЩИ»

Положите продукты в посуду, пригодную для приготовления в микроволновой печи.

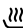
Откройте дверцу печи, нажав на кнопку открывания дверцы. Поставьте посуду с продуктами на стеклянное блюдо и закройте дверцу.

Установите уровень мощности микроволн, поворачивая переключатель **Мощность** до нужного значения в соответствии с таблицей 2.

Установите время приготовления, поворачивая регулятор **Время Размораживание(кг)**. Время устанавливается в пределах от 1 до 35 мин. После установки времени приготовления печь включится, загорится подсветка камеры печи.

По истечении времени приготовления прозвучит звуковой сигнал, регулятор **Время Размораживание(кг)** установится в положение «0», подсветка камеры печи выключится.

Таблица 2

Мощность	Уровень мощности, %	Применение
 Низкая	17	Размораживание продуктов. Размягчение замороженных кремов
 Умеренно низкая	33	Приготовление супов. Размягчение масла, маргарина. Размораживание продуктов
 Средняя	55	Тушение мяса. Приготовление рыбы, морепродуктов
 Умеренно высокая	77	Приготовление риса, рыбы, курицы, кусочков мяса
 Высокая	100	Разогревание. Кипячение молока, воды. Приготовление овощей

**Пример** – Вам необходимо готовить блюдо при среднем уровне микроволновой мощности в течении 15 мин. Для этого:

- ♦ поместите продукты в печь;
- ♦ установите уровень мощности микроволн, поворачивая переключатель **Мощность** в положение «Средняя»;
- ♦ поверните регулятор **Время Размораживание(кг)** в положение «15», после этого печь включится, загорится подсветка камеры печи.

### Примечания

1 В процессе приготовления время приготовления может быть увеличено или уменьшено в любой момент поворотом регулятора **Время Размораживание(кг)**.

2 В процессе приготовления можно изменить уровень мощности, повернув регулятор **Мощность**.

3 Если печь не используется, регулятор **Время Размораживание(кг)** должен находиться в положении «0».

4 Перед тем, как окончательно достать пищу из печи, убедитесь, что регулятор **Время Размораживание(кг)** находится в положении «0».

5 Ни в коем случае не включайте микроволновую печь, если в ней нет продуктов.



# УСТРАНЕНИЕ НЕИСПРАВНОСТЕЙ

## Обыкновенного типа

Микроволновая печь создает помехи телевизионного сигнала	Во время работы микроволновой печи в радио или телевизионных сигналах могут быть помехи. Эта ситуация сходна с помехами, вызываемыми мелкой бытовой техникой: миксерами, пылесосами, электрическими вентиляторами. Это является нормальным.
Затемнение подсветки в печи	При приготовлении на низкой мощности микроволн подсветка в печи может затемняться. Это является нормальным.
На дверце собирается пар, из выходных отверстий выходит горячий воздух	Во время приготовления еда может выделять пар. Большая часть пара будет выходить из выходных отверстий. Но часть может собираться в прохладном месте, например, дверце печи. Это является нормальным.
Печь случайно включена, когда внутри нет еды.	Включать печь, когда внутри нет еды, запрещается. Это очень опасно.

Неисправность	Возможная причина	Решение
Печь не включается.	(1) Кабель питания не плотно вставлен в розетку.	Вытащите из розетки, затем заново вставьте через 10 секунд.
	(2) Сгорел предохранитель или включился размыкатель цепи.	Замените предохранитель или сбросьте размыкатель цепи (процедура должна производиться квалифицированным персоналом нашей компании)
	(3) Проблемы с розеткой.	Протестируйте розетку с другими электрическими приборами.
Печь не нагревается.	(4) Дверца плохо закрыта.	Плотно закройте дверцу.



По отходам электрического и электронного оборудования (WEEE), WEEE следует собирать отдельно и обрабатывать. Если в будущем вам понадобится утилизировать этот продукт, пожалуйста, НЕ выбрасывайте этот продукт вместе с бытовым отходами. Отправьте этот продукт в пункты приема WEEE, где доступно.



# TOSHIBA



Mikrovlnná rúra

## NÁVOD NA POUŽITIE

Model:

**MWP-MM20P(BK)**  
**MWP-MM20P(WH)**

Pred použitím mikrovlnnej rúry si starostlivo prečítajte tento návod a dôsledne ho dodržujte. Pokiaľ budete dodržiavať tieto pokyny, mikrovlnná rúra vám bude slúžiť mnoho rokov.

USCHOVAJTE TENTO NÁVOD NA BEZPEČNÉ MIESTO

MWP-MM20P(BK)  
MWP-MM20P(WH)

# OBSAH

OBSAH .....	1
PREVENTÍVNE OPATRENIA .....	2
TECHNICKÉ PODMIENKY .....	2
DÔLEŽITÉ BEZPEČNOSTNÉ POKYNY .....	3 – 4
ČISTENIE .....	5
RIAD .....	5 – 6
NASTAVENIE A INŠTALÁCIA .....	7 – 8
POUŽÍVANIE .....	9
ODSTRAŇOVANIE CHÝB .....	10

## PREVENTÍVNE OPATRENIA

### PREVENTÍVNE OPATRENIA NA OCHRANU PRED PRÍPADNÝM VYSTAVENÍM PÔSOBENIU MIKROVLNNEJ ENERGIE

- (a) Nepokúšajte sa používať túto rúru s otvorenými dvierkami, inak môže dôjsť ku škodlivému vystaveniu pôsobenia mikrovlnnej energie. V žiadnom prípade nemanipulujte s bezpečnostnými poistkami, ani ich nevyradzujte z funkcie.
- (b) Nevkladajte žiadne predmety medzi prednú stranu rúry a dvierka, ďalej zamedzte hromadeniu zvyškov čistiacich prostriedkov na tesniacich povrchoch.
- (c) **VAROVANIE:** v prípade poškodenia dvierok alebo ich tesnenia nesmie byť rúra používaná, dokiaľ ju odborné spôsobilá osoba neopraví.

#### DOPLŇUJÚCE INFORMÁCIE

Pokiaľ nie je spotrebič udržiavaný v čistote, môže dôjsť k poškodeniu jeho povrchu a skráteniu životnosti spotrebiča; ďalej to môže viesť k nebezpečným situáciám.

## TECHNICKÉ PODMIENKY

Model:	MWP-MM20P(BK) /MWP-MM20P(WH)
Menovité napätie:	230 V~50Hz
Príkon (mikrovlnný):	1050 W
Menovitý výkon (mikrovlnný):	700 W
Objem rúry:	20 L
Priemer otočného taniera:	Ø 255 mm
Vonkajšie rozmery (Š x H x V):	439,5 x 359 x 258,2 mm
Čistá hmotnosť:	pribl. 10,3 kg

# DÔLEŽITÉ BEZPEČNOSTNÉ POKYNY

## VAROVANIE

Aby sa znížilo riziko požiaru, zásahu elektrickým prúdom, zranenia alebo vystavenia nadmerného pôsobeniu energie mikrovlnnej rúry pri používaní spotrebiča dodržujte základné preventívne opatrenia, vrátane nasledujúcich:

1. Prečítajte si a dodržujte špecifické „PREVENTÍVNE OPATRENIA NA OCHRANU PRED PRÍPADNÝM VYSTAVENÍM PÔSOBIENIU MIKROVLNNEJ ENERGIE“.
2. Tento spotrebič smú používať deti a osoby so zníženými fyzickými, zmyslovými alebo duševnými schopnosťami alebo s nedostatočnými skúsenosťami alebo znalosťami, ak sú pod dohľadom alebo pokiaľ boli poučené o bezpečnom spôsobe používania spotrebiča a porozumeli s tým súvisiacim rizikám. Deti sa so zariadením nesmú hrať. Čistenie a údržbu nesmú robiť deti bez dozoru.
3. Uchovávajúce spotrebič a jeho napájaci kábel mimo dosah detí, pokiaľ nie sú pod trvalým dozorom.
4. V prípade poškodenia napájacieho kábla ho musí vymeniť výrobca, jeho servisný zástupca alebo podobne odborne spôsobilé osoby, aby sa zamedzilo nebezpečenstvu.
5. VARIOVANIE: pred vymieňaním žiarovky vždy spotrebič vypnite, aby sa zamedzilo prípadnému zásahu elektrickým prúdom.
6. VARIOVANIE: Vykonávanie servisných úkonov a opráv zahrňujúcich zloženie krytu zaisťujúceho ochranu proti mikrovlnnej energii je nebezpečné pre každého, okrem odborne spôsobilých osôb.
7. VARIOVANIE: kvapaliny a iné potraviny sa nesmú ohrievať v uzatvorených nádobách, nakoľko hrozí nebezpečenstvo vybuchnutia.
8. Pri ohrievaní potravín v plastových alebo papierových obaloch sledujte rúru, aby sa zamedzilo prípadnému zapáleniu.
9. Používajte iba riad určené na použitie v mikrovlnných rúrach.
10. Pokiaľ spozorujete dym, spotrebič vypnite alebo odpojte od siete a nechajte dvierka zatvorené, aby sa prípadný oheň udusil.
11. Mikrovlnný ohrev nápojov môže spôsobiť omeškaný eruptívny var, a preto je nutné pri manipulácii s nádobou postupovať opatrne.
12. Pred podaním je nutné obsah detských cumlíkov a kŕmiacich fliaš premiešať alebo pretrepať a potom skontrolovať teplotu, aby sa zamedzilo popáleniu.
13. Vajcia v škrupinke a celé vajcia uvarené natvrdo by nemali byť v mikrovlnných rúrach ohrievané, keďže môžu vybuchnúť i po ukončení ohrievania v mikrovlnnej rúre.
14. Rúru je potrebné pravidelne čistiť a odstraňovať zvyšky jedla.
15. Pokiaľ nie je spotrebič udržiavaný v čistote, môže dôjsť k poškodeniu jeho povrchu a skráteniu životnosti spotrebiča; ďalej to môže viesť k nebezpečným situáciám.
16. Používajte iba teplomer odporúčaný pre túto rúru (platí pre rúry vybavené zariadením na použitie teplomeru).
17. Mikrovlnnú rúru neumiestňujte do skrine, pokiaľ nebola jej funkcia v skrini overená.
18. Tento spotrebič je určený na použitie v domácnosti a v podobných aplikáciách, ako napr. pre:
  - kuchynské kútky pre personál v predajniach, kanceláriách alebo iných pracoviskách;
  - hostí v hoteloch, motelloch a v iných prostrediach ubytovacieho typu;
  - farmy;
  - krátkodobé ubytovacie zariadenia.
19. Mikrovlnná rúra je určená na ohrievanie potravín a nápojov. Sušenie potravín alebo odevov a zahrievanie ohrievacích podložiek, papúč, umývacích hubiek, mokrých odevov a pod. môže viesť k nebezpečenstvu zranenia, zapáleniu alebo požiaru.
20. Pri mikrovlnnom varení nie sú prípustné kovové nádoby na potraviny a nápoje.
21. Tento spotrebič nesmie byť čistený parným čistiacim zariadením.

22. Tento spotrebič je určený na použitie ako voľne stojaci.
23. Zadná strana spotrebiča musí stáť proti stene.
24. Tento spotrebič nie je určený na ovládanie externým časovačom alebo nezávislým diaľkovým ovládačom.

STAROSTLIVO SI NÁVOD PREČÍTAJTE A USCHOVAJTE PRE PRÍPADNÉ NAZRETIE

## Zníženie rizika zranenia uzemnenie inštalácie

### NEBEZPEČENSTVO

Nebezpečenstvo zásahu elektrickým prúdom

Pri dotyku vnútorných súčastí môže dôjsť k vážnemu zraneniu alebo usmrteniu. Spotrebič nerozoberajte.

### VAROVANIE

Nebezpečenstvo zásahu elektrickým prúdom

Nesprávne použitie uzemnenia môže spôsobiť zásah elektrickým prúdom.

Nezapájajte spotrebič do zásuvky, dokiaľ nie je riadne inštalovaný a uzemnený.

Tento spotrebič musí byť uzemnený. V prípade elektrického skratu znižuje uzemnenie nebezpečenstvo zásahu elektrickým prúdom zaistením vodiča pre zvedenie elektrického prúdu.

Tento spotrebič je vybavený napájacím káblom obsahujúcim uzemňovací vodič s uzemnenou zástrčkou. Zástrčka musí byť pripojená do riadne nainštalovanej a uzemnenej zásuvky.

Pokiaľ dokonale nerozumiete pokynom na uzemnenie alebo máte pochybnosti o riadnom uzemnení spotrebiča, obráťte sa na odborného spôsobilého elektrikára.

Pokiaľ je nutné použiť predĺžovací kábel, používajte iba trojvodičový typ.

1. Dodávame krátky napájací kábel, aby sa obmedzilo nebezpečenstvo zamotania alebo zakopnutia cez dlhší kábel.
2. Pri použití dlhšieho alebo predĺžovacieho napájacieho kábla:
  - 1) Menovité elektrické parametre dlhšieho alebo predĺžovacieho kábla musia najmenej zodpovedať menovitým elektrickým parametrom spotrebiča.
  - 2) Predĺžovací kábel musí byť trojvodičového uzemneného typu.
  - 3) Dlhý kábel by mal byť usporiadaný tak, aby nevisel z kuchynskej linky alebo zo stola, kde by za neho mohli ťahať deti alebo kde hrozí nebezpečenstvo zakopnutia.



## ČISTENIE

Pred čistením vždy odpojte spotrebič od zdroja napájania.

1. Po použití vyčistite vnútorný priestor rúry ľahko navlhčenou handričkou.
2. Príslušenstvo čistite obvyklým spôsobom v mydlovej vode.
3. Rám a tesnenie dvierok a susedné diely je nutné v prípade znečistenia čistiť opatrne vlhkou handričkou.
4. Na čistenie skla na dvierkach rúry nepoužívajte hrubé abrazívne čistiace prostriedky ani ostré kovové škrabky, mohlo by dôjsť k poškrabaniu skla.
5. Tip na čistenie – ľahšie čistenie stien vnútorného priestoru, ktoré môžu prísť do styku s pripravovanými potravinami: vložte pol citróna do mištičky, pridajte 300 ml (12/pinty) vody a zahrievajte na 100 % mikrovlnného výkonu po dobu 10 minút. Otrite rúru mäkkou, suchou handričkou.

## RIAD

### POZOR

### Nebezpečenstvo zranenia

Vykonávanie servisných úkonov a opráv zahrňujúcich zloženie krytu zaisťujúceho ochranu proti mikrovlnnej energii je nebezpečné pre každého, okrem odborne spôsobilých osôb.

Vid' pokyny uvedené v časti „Materiály, ktoré môžete v mikrovlnnej rúre používať“ a „Materiály, ktoré v mikrovlnnej rúre nepoužívajte“.

Existuje nekovový riad, ktorý nemožno bezpečne používať pre mikrovlnný ohrev. V prípade pochybností môžete príslušný riad vyskúšať nasledovne.

Skúška riadu:

1. Naplňte nádobu vhodnú pre mikrovlnný ohrev šálkou vody (250 ml) a postavte ju vedľa skúšaného riadu.
2. Ohrievajte maximálne 1 minútu.
3. Opatrne sa riadu dotknite. Pokiaľ je prázdny riad horúci, potom ho v mikrovlnnej rúre nepoužívajte.
4. Neprekračujte dobu ohrevu 1 minútu.

## Materiály, ktoré môžete v mikrovlnnej rúre používať

Riad	Uwagi
Zapekací keramický riad	Dodržujte pokyny výrobcu. Dno zapekacej misy musí byť najmenej 5 mm (3/16 palca) nad otočným tanierom. Pri nesprávnom použití môže dôjsť k prasknutiu otočného taniera.
Servírovací riad	Iba vhodný pre mikrovlnný ohrev. Dodržujte pokyny výrobcu. Nepoužívajte prasknutý alebo odštiepený riad.
Sklenené fľaše	Vždy zložte veko. Používajte len na ohrev, dokiaľ nie je potrava teplá. Väčšina sklenených fliaš nie je žiaruvzdorná a môže dôjsť k prasknutiu.
Sklenený riad	Iba riad zo žiaruvzdorného skla. Nesmie obsahovať kovové zdobenie. Nepoužívajte prasknutý alebo odštiepený riad.
Varné vrecká do rúry	Dodržujte pokyny výrobcu. Nezatvárať kovovou sponkou. Vrecko prepichnete, aby mohla unikáť para.
Papierové taniere a tégliky	Používajte len na krátkodobé varenie/ohrev. Pri ohrievaní nenechávajte taký riad bez dozoru.
Papierové utierky	Používajte na zakrytie potravín pre predohrev a vsiaknutie mastnoty. Používajte len na krátkodobý ohrev pod dozorom.
Pergamenový papier	Používajte na zakrytie, aby sa zamedzilo rozstreknutiu, alebo na zabalenie pri ohrievaní v pare.
Plasty	Iba vhodné pre mikrovlnný ohrev. Dodržujte pokyny výrobcu. Mali by byť označené ako „Vhodné pre mikrovlnný ohrev“. Niektoré plastové nádoby mäknú, keď sa potraviny v ich vnútri zahrievajú. „Varné vrecká“ a tesne uzatvorené plastové vrecká by mali byť prepichneté alebo odvetrávané podľa pokynov na obale.
Plastové obalové materiály	Iba vhodné pre mikrovlnný ohrev. Používajte na zakrytie potravín pri varení, aby sa v nich udržala vlhkosť. Zamedzte styku plastových obalových materiálov s potravinami.
Voskový papier	Používajte na zakrytie, aby sa zamedzilo rozstreknutiu, a na udržanie vlhkosti v potravinách.

## Materiály, ktoré v mikrovlnnej rúre nepoužívajte

Riad	Poznámky
Hliníková tácka	Môže spôsobovať iskrenie. Preložte potraviny na tanier, ktorý možno používať pre mikrovlnný ohrev.
Škatuľa na potraviny s kovovým držadlom	Môže spôsobovať iskrenie. Preložte potraviny na tanier, ktorý možno používať pre mikrovlnný ohrev.
Kovový riad alebo riad zdobený kovom	Kov tieni potraviny pred mikrovlnnou energiou. Kovové zdobenie môže spôsobovať iskrenie.
Kovové svorky	Môžu spôsobovať iskrenie a požiar v rúre.
Papierové vrecká	Môžu spôsobovať požiar v rúre.
Plastová pena	Plastová pena sa môže roztopiť alebo znečistiť kvapalinu v rúre pri vystavení vysokým teplotám.
Drevo	Pri používaní v mikrovlnnej rúre môže drevo vyschnúť a štiepiť sa alebo praskať.

# NASTAVENIE A INŠTALÁCIA

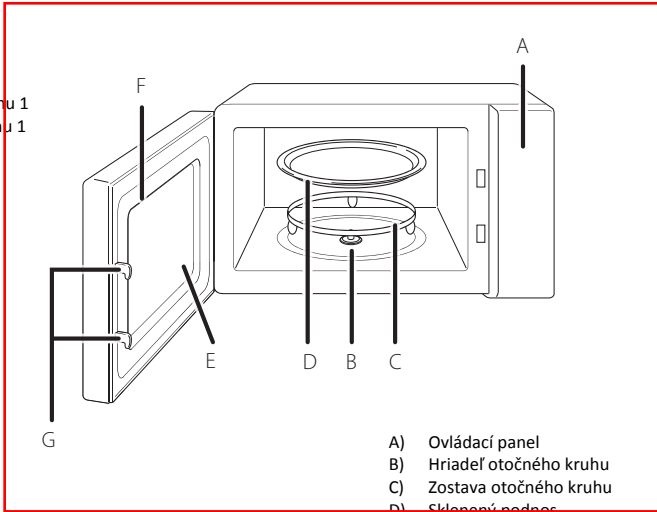
## NASTAVENIE RÚRY

Názvy dielov a príslušenstvo rúry

Vyberte rúru a všetky diely a materiály zo škatule a vnútorného priestoru rúry.

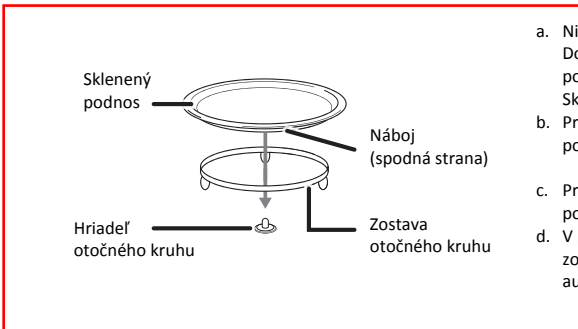
K rúre dodávame nasledujúce príslušenstvo:

Sklenený podnos 1  
Zostava otočného kruhu 1  
Hriadeľ otočného kruhu 1  
Návod na použitie 1



- A) Ovládací panel
- B) Hriadeľ otočného kruhu
- C) Zostava otočného kruhu
- D) Sklenený podnos
- E) Pozorovacie okno
- F) Zostava dvierok
- G) Bezpečnostný blokovací systém

## Inštalácia otočného kruhu



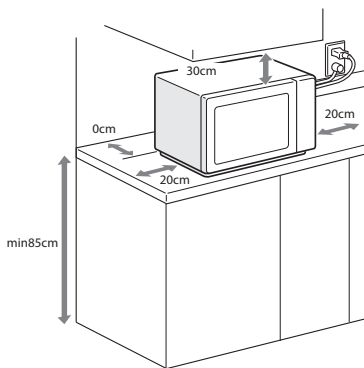
- a. Nikdy nekladajte sklenený podnos hore nohami. Dodržujte pokyny pre nasadenie skleneného podnosu na otočný kruh v správnom smere. Sklenený podnos by sa mal plynule otáčať.
- b. Pri varení je nutné vždy používať ako sklenený podnos, tak zostavu otočného kruhu.
- c. Pri varení sa všetky potraviny a nádoby s potravinami vždy kladú na sklenený podnos.
- d. V prípade prasknutia skleneného podnosu alebo zostavy otočného kruhu sa obráťte na najbližšie autorizované servisné stredisko.

## Inštalácia na pracovnú dosku

Zložte všetok obalový materiál a príslušenstvo. Skontrolujte, či nie je rúra poškodená, napr. škrabance alebo prasknuté dverka. Poškodenú rúru neinštalujte. Skriňa: zložte všetky ochranné vrstvy z povrchu skrine mikrovlnnej rúry. Neodstraňujte svetlohnedý súdový kryt pripravený ku vnútornému priestoru rúry s cieľom ochrániť magnetron.

## Inštalácia

1. Vyberte rovný povrch, ktorý umožňuje dostatočný priestor pre vstupné/výstupné vetracie otvory.



Strana	Vzdialenosť (cm)
Horná	30
Ľavá	20
Pravá	20
Predná	Otvorené
Zadná	0
Dno	0

- (1) Minimálna inštalačná výška je 85 cm.
  - (2) Zadná strana spotrebiča musí stáť proti stene. Zaisťte minimálny priestor nad rúrou 30 cm, medzi rúrou a akoukoľvek susednou stenou je nutné zaisťiť minimálny priestor 20 cm.
  - (3) Neskladajte nôžky zo spodnej časti rúry.
  - (4) Zakrývanie vstupných a/alebo výstupných otvorov môže rúru poškodiť.
  - (5) Umiestnite rúru čo najďalej od rádiových a TV prijímačov. Prevádzka mikrovlnnej rúry môže spôsobovať rušenie príjmu rádiového alebo TV signálu.
2. Pripojte rúru do štandardnej zásuvky pre domácnosti. Zaisťte, aby napätie a frekvencia zodpovedali hodnotám uvedeným na typovom štítku.

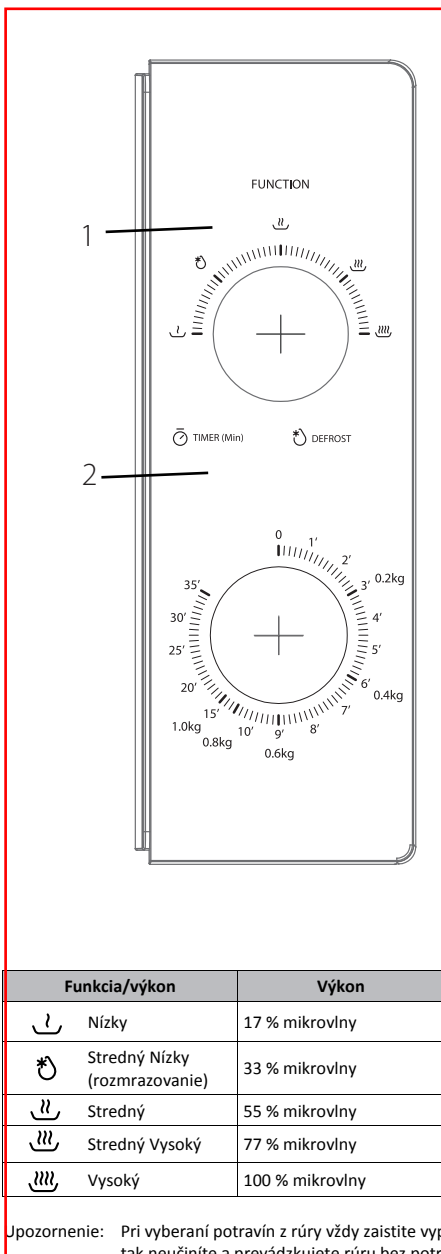
**VAROVANIE:** Neinštalujte rúru nad sporáky ani iné spotrebiče vyvíjajúce teplo.

V prípade inštalácie v blízkosti zdroja tepla môže dôjsť k poškodeniu rúry, na čo sa záruka nevzťahuje.

Prístupný povrch môže byť v prevádzke horúci.



# POUŽÍVÁNIE



1. Ovládač POWER (výkon)
2. Ovládač TIMER (časovač)

- Nastavenie ohrievacieho výkonu urobíte otočením ovládača POWER (výkon) na požadovanú úroveň.
- Nastavenie času ohrevu urobíte otočením ovládača TIMER (časovač) na požadovaný čas podľa pokynov na ohrev vašej potraviny.
- Po nastavení úrovne výkonu a času sa mikrovlnná rúra automaticky zapne.
- Po uplynutí doby ohrevu spotrebič „cinkne“ a vypne sa.
- Pokiaľ sa spotrebič nepoužíva, vždy nastavte čas na hodnotu „0“.

Funkcia/výkon	Výkon	Použitie
Nízky	17 % mikrovlny	Zmäknutie zmrzliny
Stredný Nízky (rozmrzovanie)	33 % mikrovlny	Polievka, dusené mäsa, zmäčkovanie masla alebo rozmrzovanie
Stredný	55 % mikrovlny	Dusené mäsa, ryba
Stredný Vysoký	77 % mikrovlny	Ryža, ryba, kura, mleté mäso
Vysoký	100 % mikrovlny	Ohrievanie, mlieko, vriaca voda, zelenina, nápoje

**Jpозорение:** Pri vyberaní potravín z rúry vždy zaistíte vypnutie výkonu rúry otočením časovača do polohy 0 (nula). Pokiaľ tak neučinite a prevádzkujete rúru bez potravín vo vnútri, môže dôjsť k prehriatiu a poškodeniu magnetronu.

## ODSTRAŇOVANIE CHÝB

Bežné situácie	
Mikrovlnná rúra ruší príjem TV signálu	Príjem rádiového a TV signálu môže byť počas prevádzky mikrovlnnej rúry rušený. Ide o rušenie podobné iným malým elektrickým spotrebičom, napr. mixér, vysávač a fén. Ide o bežný jav.
Tlmené svetlo rúry	Pri nízkom výkone mikrovlnnej rúry môže byť svetlo rúry stlmené. Ide o bežný jav.
Kondenzovanie pary na dvierkach, z vetracích otvorov vychádza horúci vzduch	Pri varení môže z potravín vystupovať para. Väčšina pary vychádza z vetracích otvorov. Časť avšak môže kondenzovať na chladných povrchoch, napr. na dvierkach rúry. Ide o bežný jav.
Rúra sa náhodne zapla, bez toho, aby boli vo vnútri potraviny.	Je zakázané prevádzkovať rúru, keď nie sú vo vnútri potraviny. Je to veľmi nebezpečné.

Problém	Možná príčina	Riešenie
Rúru nemožno zapnúť.	(1) Napájací kábel nie je pevne zapojený.	Odpojte ho. Potom ho znovu pripojte za 10 sekúnd.
	(2) Aktivovala sa poistka alebo istič.	Vymeňte poistku alebo resetujte istič (opravu robí odborný personál našej spoločnosti).
	(3) Problém so zásuvkou.	Vyskúšajte zásuvku s inými elektrospotrebičmi.
Rúra neohrieva.	(4) Dvierka nie sú tesne zatvorené.	Zatvorte dvierka.



Podľa smernice o odpadových elektrických a elektronických zariadeniach (OEEZ) je nutné odpadové elektrické a elektronické zariadenia zhromažďovať a spracovávať oddelene. Pokiaľ budete musieť tento výrobok niekedy v budúcnosti zlikvidovať, NEVYHADZUJTE ho do komunálneho odpadu. Odovzdajte tento výrobok na mieste určenom na zber odpadových elektrických a elektronických zariadení, pokiaľ je k dispozícii.

# TOSHIBA



Mikrohullámú sütő

## HASZNÁLATI ÚTMUTATÓ

Modell:

**MWP-MM20P(BK)**  
**MWP-MM20P(WH)**

A mikrohullámú sütő használata előtt az útmutatót figyelmesen olvassa át, és az utasításokat gondosan tartsa be.

Amennyiben betartja az útmutatóban foglalt utasításokat, a készülék hosszú éveken át hibátlanul működhet.

**JELEN ÚTMUTATÓT A KÉSŐBBI HASZNÁLATA ÉRDEKÉBEN GONDOSAN ŐRIZZE MEG!**

MWP-MM20P(BK)  
MWP-MM20P(WH)



# TARTALOM

TARTALOM .....	1
MEGELŐZŐ ÓVINTÉZKEDÉSEK .....	2
MŰSZAKI ADATOK .....	2
FONTOS BIZTONSÁGI UTASÍTÁSOK .....	2-4
TISZTÍTÁS .....	5
EDÉNYEK .....	5-6
TELEPÍTÉS ÉS ÁLLÍTÁSOK .....	7-8
HASZNÁLAT .....	9
HIBAELHÁRÍTÁSOK .....	10

## MEGELŐZŐ ÓVINTÉZKEDÉSEK

### ÓVINTÉZKEDÉSEK A TÚLZOTT MÉRTÉKŰ MIKROHULLÁMÚ SUGÁRZÁS MEGELŐZÉSE ÉRDEKÉBEN

- (a) Ne próbálja a sütőt nyitott ajtóval működtetni, mivel ez káros mikrohullám-sugárzást eredményezhet. Fontos, hogy ne változtassa, ne tegye működésképtelenné a biztosító mechanizmusokat!
- (b) Ne helyezzen semmilyen tárgyat a sütő előlap és az ajtó közé, és ne hagyja a tisztítószer-maradványokat felgyülemelni a tömítő felületeken!
- (c) FIGYELMEZTETÉS: Ha az ajtó vagy annak tömítései megsérültek, úgy tilos a sütőt üzemeltetni mindaddig, amíg azt szakilletékes személy meg nem javította

### KIEGÉSZÍTŐ TÁJÉKOZTATÁSOK

A sütő tisztításának elhanyagolása a külső felületek sérüléséhez vezethet, ami a készülék élettartamát hátrányosan befolyásolja és veszélyes helyzeteket is okozhat.

## MŰSZAKI ADATOK

Modell:	MWP-MM20P(BK)/MWP-MM20P(WH)
Névleges feszültség:	230V~ 50Hz
Névleges bemeneti teljesítmény (mikrohullámú):	1050W
Névleges teljesítmény (mikrohullámú):	700W
Sütő kapacitása:	20 l
Forgótányér átmérője:	Ø 255 mm
Külső méretek:	439,5 mm x 359 mm x 258,2 mm
Nettó tömeg:	cca. 10,3 kg

# FONTOS BIZTONSÁGI UTASÍTÁSOK

## FIGYELEM

A készülék használata során tűz, áramütés, személyi sérülés vagy túlzott mértékű mikrohullámú sugárzás kockázatának csökkentése érdekében a következő alapvető óvintézkedéseket kell betartani:

1. Olvassa el és kövesse a fenti "ÓVINTÉZKEDÉSEK A TÚLZOTT MÉRTÉKŰ MIKROHULLÁMÚ SUGÁRZÁS MEGELŐZÉSE ÉRDEKÉBEN" fejezetet.
2. Készüléket használhatják 8 év feletti gyerekek, csökkent fizikai, érzékszervi vagy mentális képességű, és a megfelelő tapasztalattal és tudással nem rendelkező személyek, amennyiben felügyelet alatt állnak, vagy útmutatást kaptak a készülék biztonságos használatára és a használattal járó esetleges veszélyeket is megértették. Tilos, hogy a gyerekek a készüléket játékszerként használják. A tisztítását, karbantartását 8 éves kornál idősebbek végezhetik felügyelet alatt. A 8 éves kor alatti gyerekek állandó felügyelet nélkül ne tartózkodjanak a készülék közelében.
3. Gondoskodjon arról, hogy 8 évesnél fiatalabb gyermekek ne férjenek hozzá a készülékhez és annak csatlakozókábeléhez.
4. Ha a csatlakozó kábel sérült, azt a veszélyek elkerülése érdekében csak a gyártó, vagy a szakszerviz, illetve megfelelően képzett szakember cserélheti ki.
5. FIGYELEM: Szakképzett személyen kívül bárki más számára veszélyes lehet bármilyen olyan szervizelés, javítási művelet elvégzése, amely a mikrohullámú sugárzás hatása elleni védelmet biztosító burkolat eltávolításával jár.
6. FIGYELEM: Italféléket vagy más ételeket ne melegítsen zárt edényekben vagy lezárt csomagolásban, mert ezek könnyen feldurranhatnak.
7. Ha műanyag, vagy papír edényekben vagy csomagolásban melegíti az ételeket, felügyelje a folyamatot, mivel az ilyen csomagolás, illetve edény kigyulladhat.
8. Kizárólag csak a mikrohullámú sütéshez rendeltetett edényeket használja!
9. Füst megjelenése esetén a készüléket kapcsolja ki, vagy húzza ki a dugvillát a csatlakozó aljzatból, és a készülék ajtaját hagyja becsukva, hogy a felcsapó lángok belül elenyésszenek.
10. Ha italt melegít a mikrohullámú sütőben, bizonyos idő elteltével az felforrhat és kifuthat, ezért ilyen esetekben legyünk különösen elővigyázatosak.
11. Az égésveszély elkerülése érdekében használat előtt keverje fel, vagy rázza össze a bébiételes üvegek tartalmát, valamint ellenőrizze az azok hőfokát.
12. A mikrohullámú sütőben ne melegítsen héjas tojásokat, vagy egész főtt tojásokat, mert azok könnyen feldurranhatnak, azt követően is, hogy a sütőben való melegítést már befejezte.
13. A sütőt tisztítsa rendszeresen és távolítsa el az esetleges ételmaradékokat.
14. A sütő karbantartását, tisztítását rendszeresen kell végezni, mivel a felületi elhasználódhatnak, ami negatív hatással van a készülék élettartamára és megnöveli a veszélyek kockázatát a sütő használata során.
15. Csak a sütőhöz javasolt hőfokmérőt alkalmazza. (Hőmérő használatára ellátott sütők esetében.)
16. A mikrohullámú sütő nem helyezhető el szekrényben, hacsak a működőképességét nem tesztelték szekrényben.
17. A készülék háztartási és az alábbi helyeken történő használatra szolgál:
  - munkahelyeken, üzletekben és irodákban kialakított konyhákban;
  - hotelekben, szállodákban, apartmanokban;
  - tanyasi házakban;
  - fizetővendéglátó szálláshelyeken a vendégek általi használatra.
18. A mikrohullámú sütő ételek, italok melegítésre van rendeltetve. Élelmiszerek, ruha szárítása, valamint melegítő alátétek, papucs, mosószivacsok, nedves ruházati cikkek stb. melegítése sérülést, gyulladást vagy tűzvészt is okozhat.
19. A mikrohullámú sütőben tilos az ételt, italféléket fémanyagú edényben melegíteni.
20. A jelen készüléket tilos a gőztisztító készülék segítségével tisztítani.

22. Használatakor a készülék álljon szabadon.
23. Szükséges, hogy a készülék hátlapja a fal felé irányuljon.
24. A készülék külső időzítőről vagy külön távirányító rendszer segítségével nem működtethető.

**A JELEN ÚTMUTATÓT FIGYELMESEN OLVASSA EL, ÉS ŐRIZZE MEG EGY ESETLEGES KÉSŐBBI HASZNÁLAT CÉLJÁBÓL**

## Sérülésveszély csökkentése

### Készülék áramföldelése

#### VESZÉLY

Áramütés veszélye fenyeget.  
Bizonyos belső alkatrészek megérintése súlyos személyi sérülést vagy halált okozhat.  
Ne szerelje szét a készüléket.

#### FIGYELEM

Áramütés veszélye  
A hibás földelés áramütéshez vezethet.  
Ne csatlakoztassa a készüléket fali csatlakozó aljzathoz, amíg a telepítés és a földelés nem megfelelő!

A készüléket kötelező földelni. Egy esetleges rövidzárlat esetén a földelés csökkenti az áramütés veszélyét azzal, hogy elvezeti az áramot a földelő vezetéken.

A készülék földelővezetékekkel van ellátva, és földelt dugvillával rendelkezik. A dugvilla csak olyan aljzatba dugható be, ami az előírásoknak megfelelően van földelve.

Forduljon szakképzett villanyszerelőhöz vagy szervizképviselőhöz, amennyiben a földelésre vonatkozó utasítások nem teljesen érthetők vagy kétség merül fel a földelés megfelelőségét illetően. Amennyiben hosszabbítót használna, úgy kizárólag 3-ereset használjunk.

1. A rövid hálózati kábel csökkenti a botlás, esés veszélyét.
2. Amennyiben hosszabb kábel vagy hosszabbító használata szükséges, akkor:
  - 1) a kábel vagy a hosszabbító kábel legalább olyan névleges elektromos paraméterei egyezzenek a készülékével.
  - 2) a hosszabbító kábel földelt és 3-meres legyen.
  - 3) a hosszú kábelt úgy vezesse el, hogy ne lógjon túl az asztalon vagy a munkalapon, elkerülendő hogy a gyerek véletlenül beleakadjon és lerántsa a készüléket.

## TISZTÍTÁS

Győződjön meg arról, hogy a dugvilla ki van húzva a fali csatlakozó aljzatból.

1. Használatot követően a sütőteret enyhén nedves ronggyal tisztítsa.
2. A tartozékokat enyhén szappanos vízzel, a megszokott módon tisztítsa.
3. Az ajtókeretet, a tömítést és a szomszédos részeit, amennyiben ezek beszennyeződtek, óvatosan törölje le egy nedves ronggyal.
4. Súrolószert, dörzsít, éles fémkaparót ne használjon a sütő ablakának tisztításához, mivel ezek összekarcolhatják az üvegfelületet és az üveg betöréséhez is vezethetnek.
5. Tipp a tisztításhoz! A sütőtér azon falainak tisztításához, amelyhez a melegített étel hozzáérhet: helyezzen fél citromot egy tálba, adjon hozzá 300 ml vizet és 100% mikrohullámú teljesítményen 10 percig melegítse azt. A sütőteret puha, nedves ronggyal törölje le.

## EDÉNYEK

### VIGYÁZAT

#### Sérülésveszély

A szakilletékes személyeken kívül bárkire veszélyes lehet a készülék mikrohullámú sugárzástól védő burkolatának eltávolításával járó szervizelése, javítása.

Lásd a „Mikrohullámú sütőben használható anyagok, edények” és a „Mikrohullámú sütőben nem használható anyagok, edények” táblázatokban szemléltetett utasításokat.

Vannak bizonyos fémes edények, melyek mikrohullámú sütéshez nem alkalmasak. Amennyiben kétség merül fel, az alábbi teszt végrehajtásával az adott edényt ellenőrizheti.

Edényteszt

1. Töltsön meg egy mikrohullámálló poharat hideg vízzel (250 ml), majd tegyük be az üres, tesztelni kívánt edény mellé.
2. Melegítse maximum teljesítményen 1 percig.
3. Óvatosan érintse meg a tesztedényt! Amennyiben az üres edény meleg, ne használja a mikrohullámú főzéshez!
4. Ne lépje túl az 1 perces melegítési időt!

#### Mikrohullámú sütőben használható anyagok, edények

<b>Edény</b>	<b>Megjegyzések</b>
Pirító kerámia tál	Kövesse a gyártó utasításait. A pirító tál aljának legalább 5 mm-rel (316/ hüvely) a forgótányér felett kell lennie. Helytelen használat esetén a forgótányér eltörhet.
Étkészlet	Kizárólag mikrohullámú sütésre alkalmas eszközöket használjon. Kövesse a gyártó utasításait. Tilos repedt vagy sérült felületű edényeket használni.
Befőttes üveg	Mindig távolítsa el a palack fedelet. Az ételt csupán a melegítéséhez szükséges időtartamon át melegítse. Az üvegpalackok túlnyomó része nem hőálló és eltörhet.
Üvegedények	Csak hőálló üvegedényeket használjon. Győződjön meg róla, hogy az edénynek nincs fém pereme vagy borítása. Tilos repedt vagy sérült felületű edényeket használni.
Sütőzacskó	Kövesse a gyártó utasításait. Ne zárja le a zacskót fémcattal. Csináljon réseket a zacskón, hogy a felszabaduló gőz távozni tudjon.
Papír táányérok és poharak	Csak rövid idejű főzésre/melegítésre használja. Ne hagyja sütőt felügyelet nélkül főzés közben.
Papírtörülközők	Használható az étel lefedésére és a zsír felitatására előmelegítés közben. Kizárólag rövid idejű melegítés során, állandó felügyelet mellett használható.
Hártyapapír	Használható fedőként a fröccsenések megelőzésére vagy csomagolásként gőzöléshez.
Műanyag	Kizárólag mikrohullámú sütésre alkalmas edényt használjon. Kövesse a gyártó utasításait. Az edényen „Mikrohullámú melegítéshez alkalmas” jelölésnek kellene lennie. Egyes műanyag edények megpuhulnak, miközben az étel felmelegszik. A „főzőzacskókat” és szorosan lezárt műanyag zacskókat a csomagolás utasításai alapján ki kell kilyukasztani vagy szellőző rést nyitni rajtuk.
Műanyag burkolat	A műanyag burkolat, fólia kizárólag a mikrohullámú sütésre alkalmas legyen. Használja az étel lefedésére főzés közben a nedvesség megtartására. Ne hagyja, hogy a fólia melegítés közben az ételhez érjen.
Viaszpapír	Használja az étel lefedésére főzés közben a fröccsenések megelőzésére és a nedvesség megtartására.

#### Mikrohullámú sütőben használható anyagok, edények

<b>Edény</b>	<b>Megjegyzések</b>
Alumínium tálca	Szikkasztások keletkezhetnek. Az ételt a mikrohullámú sütésre alkalmas edénybe helyezze át.
Élelmiszerdoboz fém fogantyúval	Szikkasztások keletkezhetnek. Az ételt a mikrohullámú sütésre alkalmas edénybe helyezze át.
Fémanyagú vagy fémdíszítésű edény	A fém leárnýkölja az ételt a mikrohullámú energia hatásától. A fémdíszítés szikkasztásokat okozhat.
Fém kötőhuzalok	Ívet húzhatnak, szikkasztásokat és tüzet is okozhatnak a sütőben.
Papírzacskók	Tüzet okozhatnak a sütőben.
Műanyag hab	A műanyag hab megolvadhat, vagy a sütőbe helyezett és a magas hőmérsékletnek kitett folyadékot beszennyezheti.
Fa	A mikrohullámú sütőbe helyezett faanyagú tárgy kiszárad, meghasadhat vagy elrepedhet.

# TELEPÍTÉS ÉS ÁLLÍTÁSOK

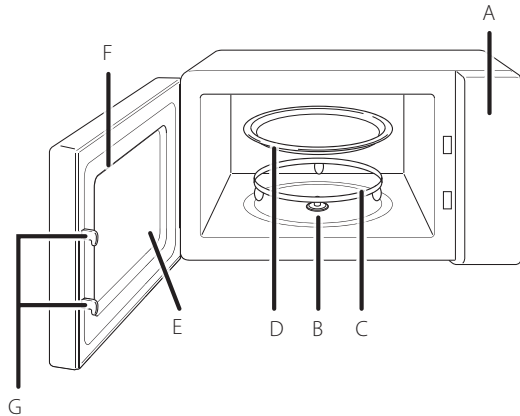
## SÜTŐ BEÁLLÍTÁSA

A sütő alkatrészeinek és tartozékainak megnevezése

Vegye ki a sütőt és annak tartozékait a kartondobozból és a sütőtérből.

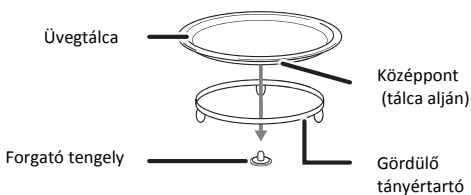
A sütő a következő tartozékokkal érkezik:

Üvegtálca	1
Forgató tányér	1
Forgatótengely	1
Használati utasítás	1



- A) Kezelőpanel
- B) Forgató tengely
- C) Forgótányér
- D) Üvegtálca
- E) Figyelőablak
- F) Ajtókészlet
- G) Biztonsági reteszelő rendszer

### Forgótálca behelyezése



- a. Soha ne helyezzük az üveg tálcát fejjel lefelé. Az üvegtálca szabadon mozogjon, mindennemű akadály nélkül
- b. kötelező jelleggel használjuk a tálcát és a forgató tányért, ennek hiányában ne főzzünk, ne melegítsünk.
- c. A főzés, melegítés során mindennemű étel és élelmiszeres edény az üvegtálcára helyezendő
- d. Amennyiben a tálcán vagy a forgótányéron sérülést, repedést találunk, úgy forduljunk a legközelebbi márkaszervizhez.

## MUNKALAPRA TELEPÍTÉS

Az összes burkolatot vegye le, tartozékokat emelje ki.

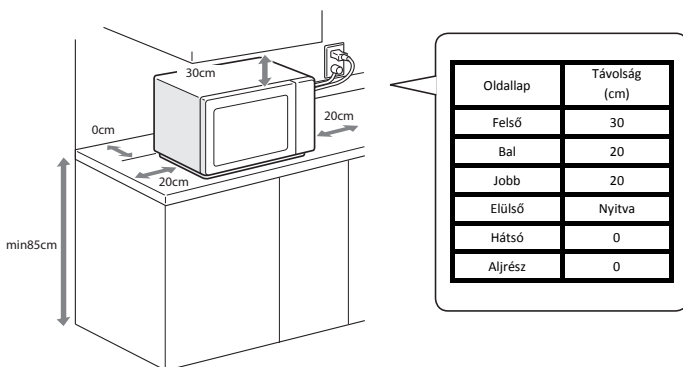
Vizsgálja meg a sütő épségét, pl. hogy karcolás, repedés mentes legyen. A sérült sütőt tilos telepíteni!

Tároló szekrény: a mikrohullámú sütő tároló szekrényének felületén a védőbevonat sérülésmentes legyen.

Ne távolítsa el a világosbarna csillámfedőt a sütő belteréből, amely a magnetront védi.

## Telepítés

1. Válasszon olyan egyenes felületet, amely elegendő teret nyújt a bemeneti/kimeneti szellőző nyílásoknak.



- (1) A minimális telepítéshez szükséges magasság 85 cm
  - (2) A készülék hátsó felületét falhoz kell helyezni. Hagyjon legalább 30 cm-nyi szabad helyet a sütő felett és legalább 20 cm-nyi szabad helyet a sütő oldalalappjai és a mellette levő falak között.
  - (3) Ne távolítsa el a sütő alján levő tartólábakat.
  - (4) A bemeneti és/vagy kimeneti nyílások lefedése a sütőt megrongálhatja.
  - (5) Helyezze a sütőt a minél távolabb a rádióktól és TV-től. A mikrohullámú sütő üzemeltetése zavart okozhat a rádió vagy televízió vételében
2. Csatlakoztassa a sütőt egy szabványos háztartási konnektorba. Ellenőrizze, hogy a feszültség és a frekvencia megegyezzen a típuscímkén feltüntetett feszültség és frekvencia adatokkal.

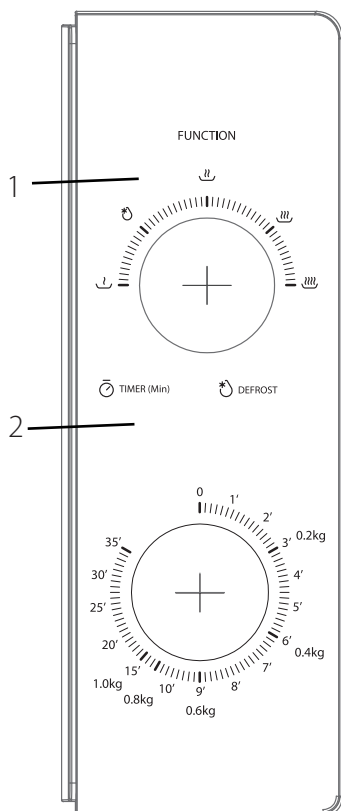
**FIGYELEM:** Ne telepítse sütőt más hőforrás közelébe. Ha más hőleadó készülék közelébe vagy fölé telepíti, a sütő megsérülhet, ami garanciavesztéssel járna.

**Működés közben a külső, hozzáférhető felületek átforrósodhatnak.**





# ALKALMAZÁS



1. POWER (TELJESÍTMÉNY) FORGATÓGOMB
2. TIMER (IDŐZÍTÉS) FORGATÓGOMB

- A melegítési teljesítmény a POWER (teljesítmény) kezelőgomb az igényelt szintre való elfordításával állítható be.
- A melegítéshez szükséges idő a TIMER (időzítő) kezelőgomb az adott élelmiszer melegítéséhez szükséges időtartamra való elfordításával állítható be.
- A teljesítmény és idő beállítását követően a mikrohullámú sütő automatikusan bekapcsol.
- A melegítési idő lejártakor a sütő „csengető” hangjelzést bocsát ki.
- A használaton kívüli sütő időzítését mindig „0” jelzővonalra kell állítani.

Funkció/teljesítmény	Mikrohullámú teljesítményszint	Ételféléség
Alacsony	17 % mikrohullám	Fagyalt lágyítása
Közepes - Alacsony (olvasztás)	33% mikrohullám	Leves, párolt hús, vaj puhulás vagy olvasztása
Közepes	55% mikrohullám	Párolt hús, hal
Közepes - Magas	77% mikrohullám	Rizs, hal, csirke, darált hús
Magas	100% mikrohullám	Melegítés, tej, forralt víz, zöldség, italfélék

**Figyelem:** Mielőtt a sütőből az élelmiszert kiemelné szükséges minden esetben ügyelni, hogy az időzítő a (nulla) pozíciójába legyen kikapcsolva.

Ha a teljesítménye nem lenne kikapcsolva, és készülék a sütőtéri élelmiszer jelenléte nélkül lenne működtetve, úgy a túlmelegített sütő a magnetron megrongálását idézhetné elő.

# HIBAELHÁRÍTÁSOK

## Szokásos jelenségek

A mikrohullámú sütő zavarja a TV műsort	A rádió- és TV-adást zavarhatja a sütő működése. Hatása hasonló más kisebb elektromos készülékekéhez, mint pl. mixer, porszívó, hajszárító stb. Ez a jelenség teljesen normális.
Világítás fényerejének csökkentése	Ha a sütő alacsony teljesítményen működik, úgy a lámpa halványabban világíthat. Ez a jelenség is teljesen normális.
Gőzlecsapódás az ajtón belül, a szellőző nyílásokból forró levegő áramlik ki	Főzés közben az ételből gőz távozik. Ennek nagy része a szellőztető nyílásokon távozik, azonban egy része hidegebb ponton, pl. az ajtó belső felületén lecsapódik. Még ez a jelenség is teljesen normális.
Étel nélkül működésbe hozott sütő.	A készüléket tilos üres állapotban üzemeltetni tilos! Ez nagyon veszélyes lehet.

Probléma	Lehetséges ok	Probléma megoldása
A sütőt nem lehet elindítani.	1) A tápvezetékek nincs megfelelően csatlakoztatva. 2) Biztosíték kiégett vagy az áramköri megszakító beavatkozik	Húzza ki, majd várjon 10 másodpercet, aztán csatlakoztassa újra. Cserélje ki a biztosítékot, vagy billentse vissza az áramköri megszakítót (a javítást kizárólag cégünk szakembere végezheti).
	3) Hiba a fali csatlakozó aljzatban	Tesztelje az aljzatot más elektromos készülékekkel.
A sütő nem melegít, nem működik	4) Ajtó nincs szorosan bezárva	Az ajtót gondosan zárja be.



Az elektromos és elektronikus berendezések hulladékai (WEEE) irányelve szerint, ezen terméket, külön kell begyűjteni és kezelni. Így a jövőben, ha ilyen típusú terméket selejtezni kíván, úgy ezt NE a háztartási hulladékkal közös gyűjtődénybe dobja ki. Lehetőség szerint a terméket legközelebbi elektromos és elektronikus berendezések hulladékok (WEEE) átvételére szolgáló gyűjtő központhoz kell elszállítani.

RoHS ✓ CE



